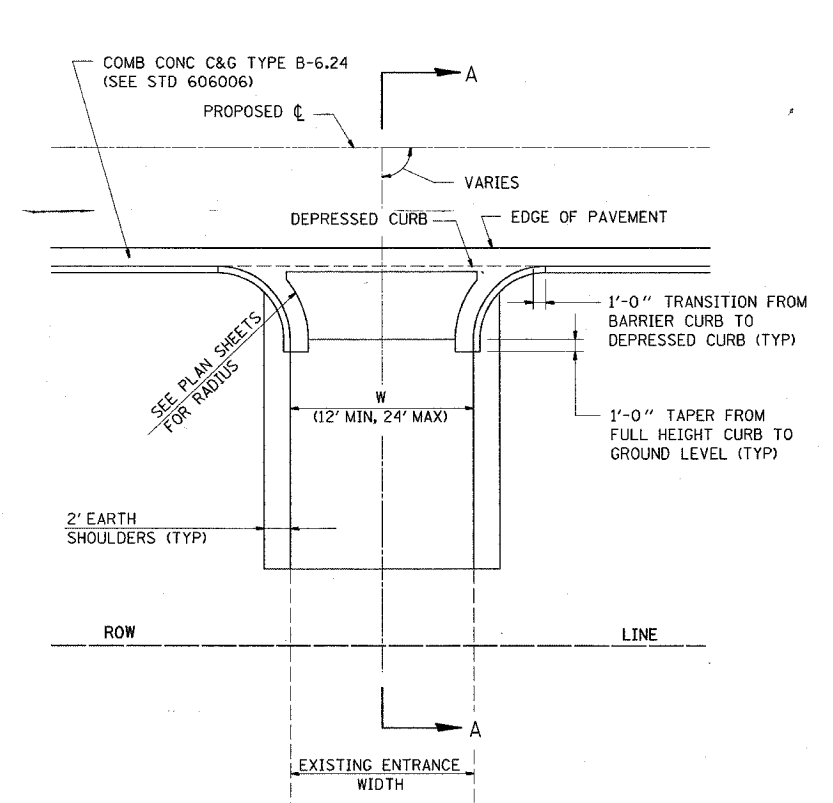
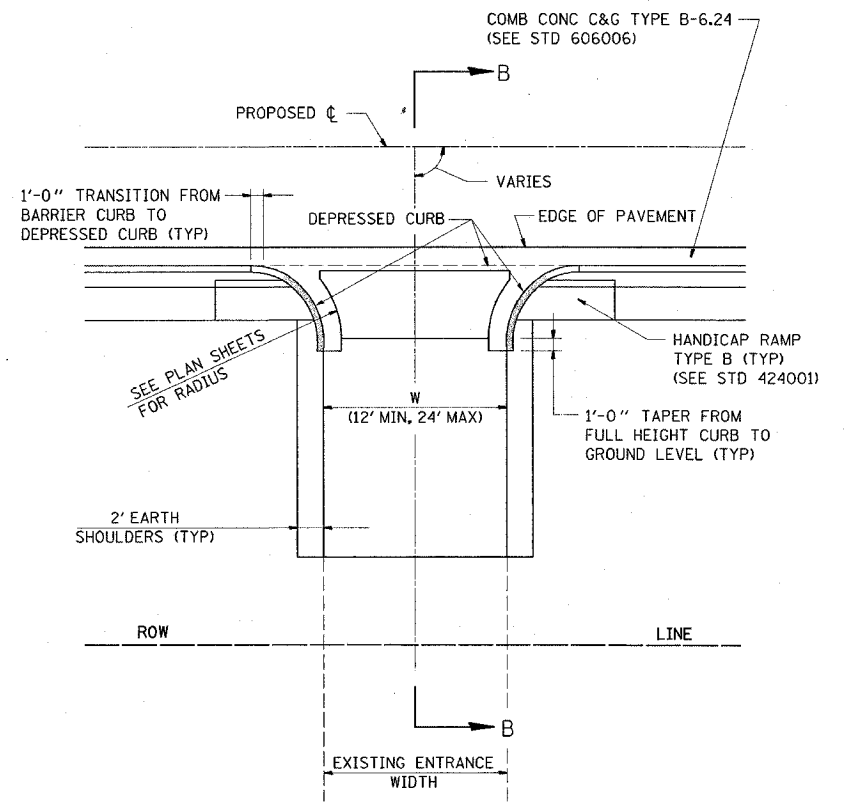


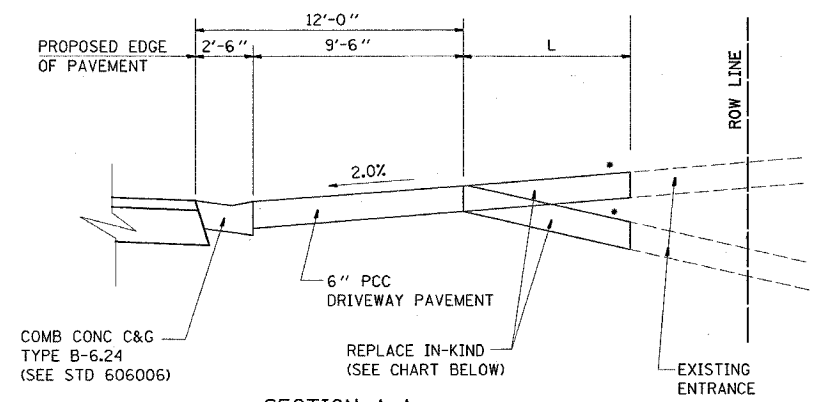
PLAN	DATE
NO.	
BY	
DESIGNED	
CHECKED	
APPROVED	
PLOTTED	
ALIGNMENT CHECKED	
VERTICAL CHECKED	
ADD FILE NAME	



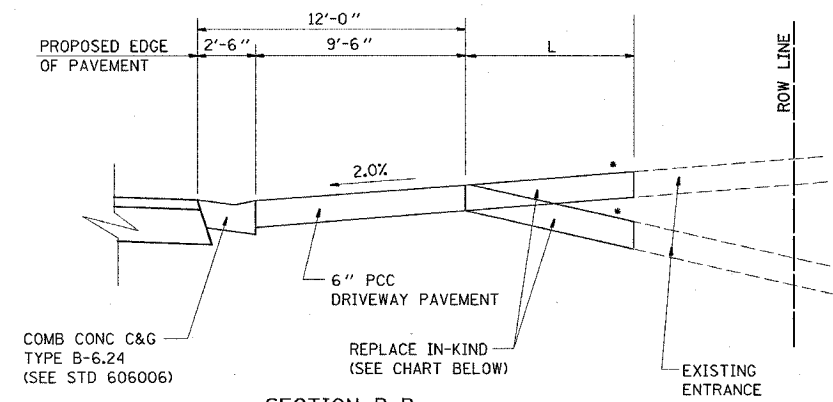
PE DETAIL A
PRIVATE ENTRANCE ADJACENT TO ROADWAY PAVEMENT WITH CONCRETE CURB & GUTTER TYPE B-6.24



PE DETAIL B
PRIVATE ENTRANCE WITH PCC SIDEWALK ADJACENT TO ROADWAY PAVEMENT WITH CONCRETE CURB & GUTTER TYPE B-6.24



SECTION A-A
• SEE CROSS SECTIONS FOR SLOPE
•• OMIT AT CONCRETE ENTRANCES
SEE PLANS FOR EXISTING SURFACE TYPE



SECTION B-B
• SEE CROSS SECTIONS FOR SLOPE
•• OMIT AT CONCRETE ENTRANCES
SEE PLANS FOR EXISTING SURFACE TYPE

TYPE OF ENTRANCE	EXISTING MATERIAL	NEW ENTRANCE MATERIAL (BEYOND RADIUS RETURNS)			
		PCC DRIVEWAY PAVEMENT 6"	INCIDENTAL BITUMINOUS CONC SURFACING, 2"	AGGREGATE BASE COURSE TYPE B 6"	AGGREGATE SURFACE COURSE TYPE B 6"
PRIVATE	CONCRETE	X			
	BITUMINOUS		X	X	
	AGGREGATE				X

"L" - SEE SCHEDULE
"W" - SEE SCHEDULE

REVISIONS	
NAME	DATE

ILLINOIS DEPARTMENT OF TRANSPORTATION
PRIVATE ENTRANCE DETAILS

FAP ROUTE 586
SECTION 60R-2, 37R-1
MADISON COUNTY

DRAWN BY:
PLOT DATE: Friday July 02, 2004 8:31:00 AM