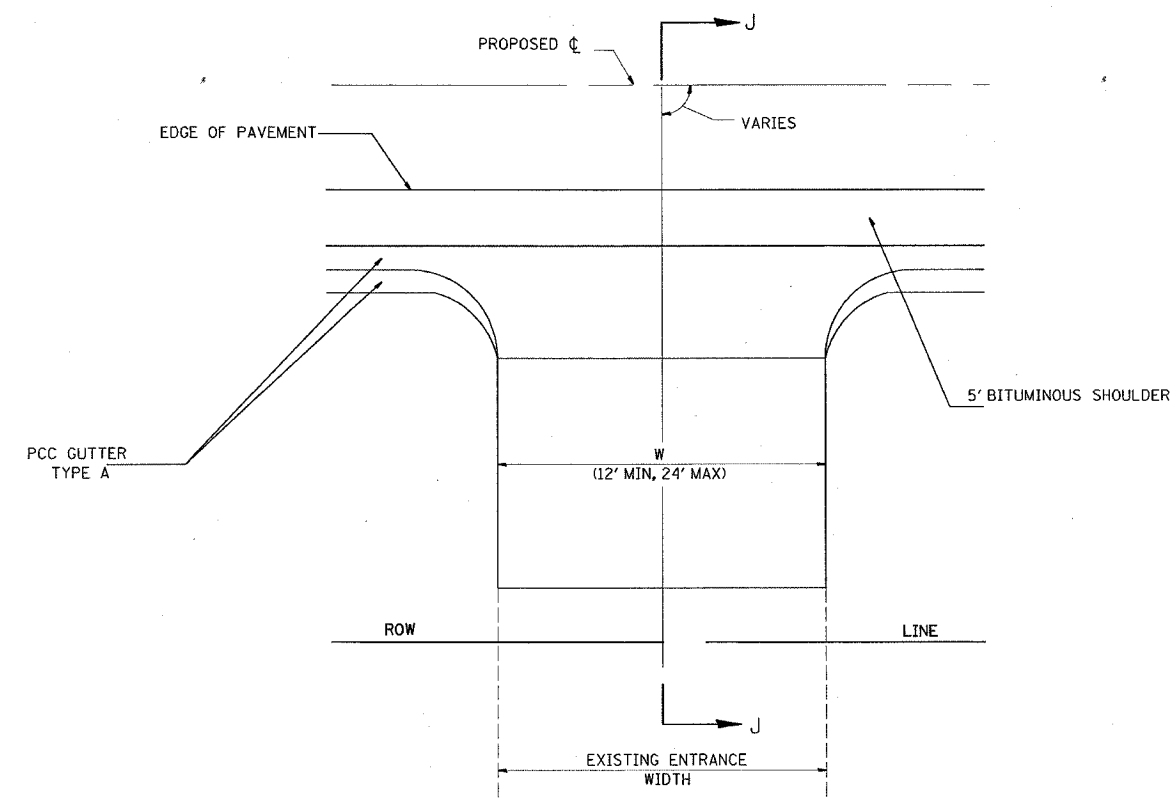
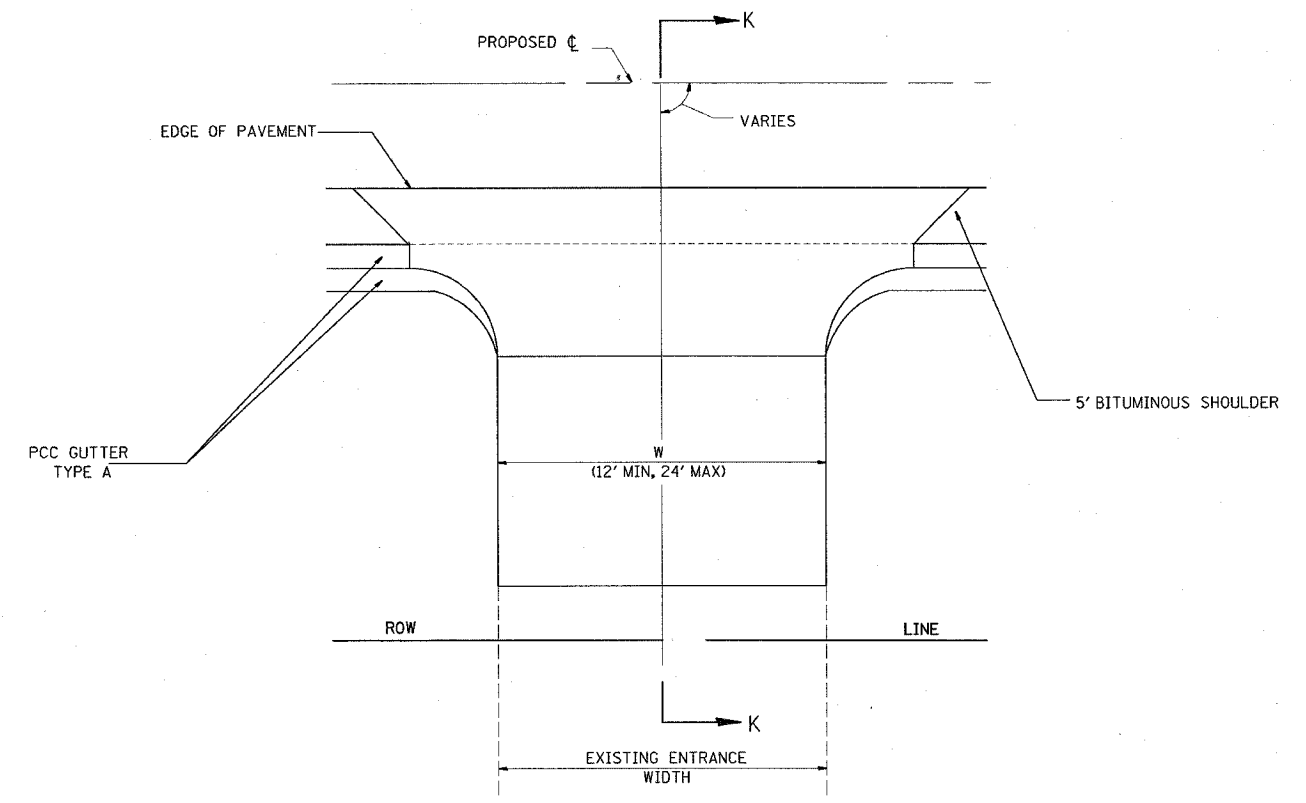


| | | | | |
|-----------|--------------|---------|-----------------|-----------|
| FAP ROUTE | SECTION | COUNTY | TOTAL SHEETS | SHEET NO. |
| 586 | 60R-2, 37R-1 | MADISON | 502 | 250 |
| STA. | TO STA. | | | |
| | | | CONTRACT #16301 | |

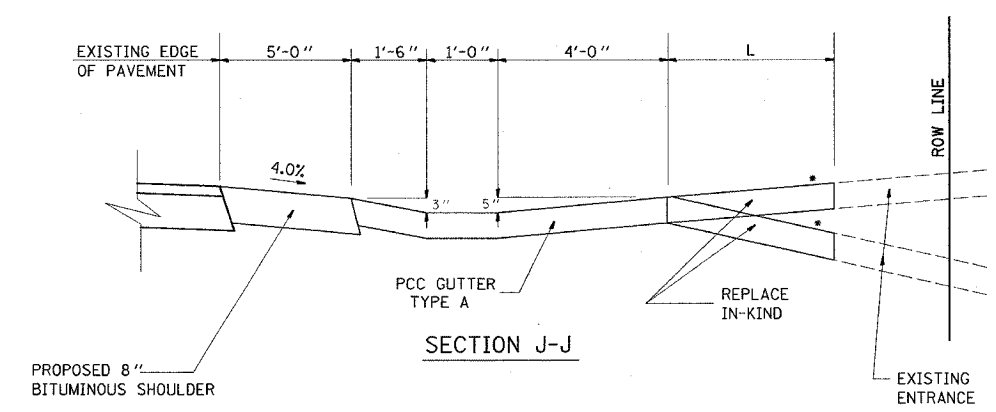
| | | |
|------|---------------------|------|
| PLAN | SURVEYED | DATE |
| | NOTE BOOK | |
| | ALTIMETER CHECKED | |
| | BY | |
| | NO. OF WAYS CHECKED | |
| | FILE NAME | |



PE & FE DETAIL J
FIELD & PRIVATE ENTRANCE ADJACENT TO 8" BITUMINOUS SHOULDER AND PCC GUTTER TYPE A

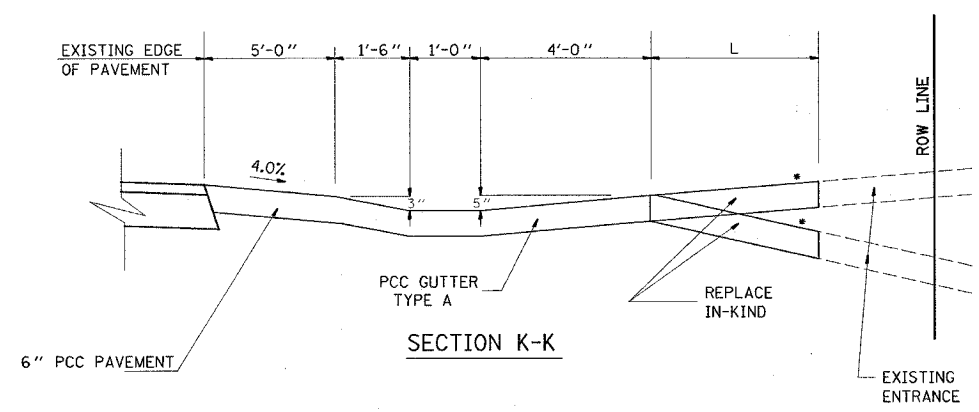


CE & SR DETAIL K
COMMERCIAL & SIDE ROAD ENTRANCE ADJACENT TO BITUMINOUS SHOULDER AND PCC GUTTER TYPE A



SECTION J-J

SEE CROSS SECTIONS FOR SLOPE
SEE PLANS FOR EXISTING SURFACE TYPE



SECTION K-K

SEE CROSS SECTIONS FOR SLOPE
SEE PLANS FOR EXISTING SURFACE TYPE

| TYPE OF ENTRANCE | EXISTING MATERIAL | NEW ENTRANCE MATERIAL (BEYOND RADIUS RETURNS OR TAPERS) | | | | |
|------------------|----------------------|---|----------------------------|---|-----------------------------------|--------------------------------------|
| | | PCC DRIVEWAY PAVEMENT (6") | PCC DRIVEWAY PAVEMENT (8") | INCIDENTAL BITUMINOUS CONC SURFACING (3") | AGGREGATE BASE COURSE TYPE B (8") | AGGREGATE SURFACE COURSE TYPE B (6") |
| PE & FE | CONCRETE | X | | | | |
| | BITUMINOUS AGGREGATE | | | X | X | |
| CE & SR | CONCRETE | | X | | | X |
| | BITUMINOUS AGGREGATE | | | X | X | |

"L" - SEE SCHEDULE
"W" - SEE SCHEDULE

| REVISIONS | |
|-----------|------|
| NAME | DATE |
| | |
| | |
| | |
| | |
| | |

ILLINOIS DEPARTMENT OF TRANSPORTATION
ENTRANCE DETAILS

FAP ROUTE 586
SECTION 60R-2, 37R-1
MADISON COUNTY

DRAWN BY: