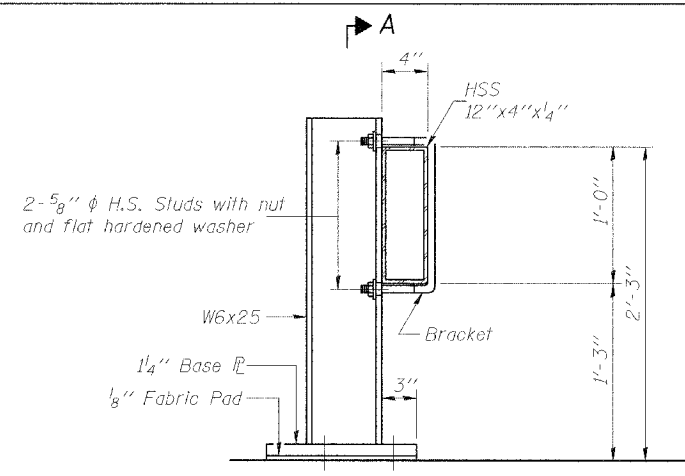
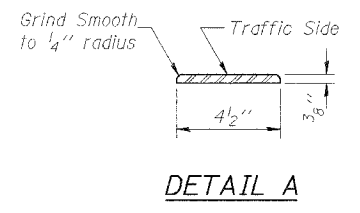


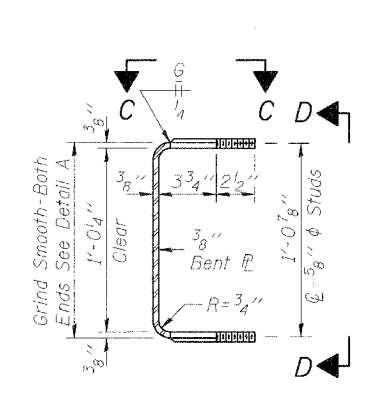
SECTION A-A



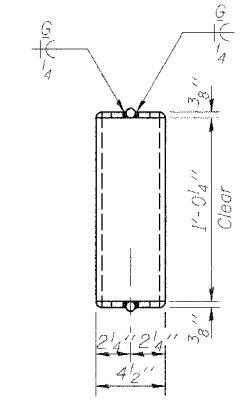
SECTION AT RAIL POST



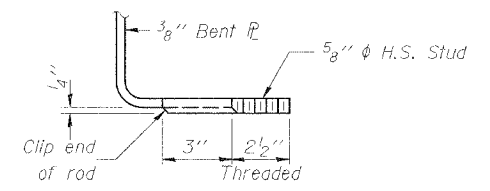
DETAIL A



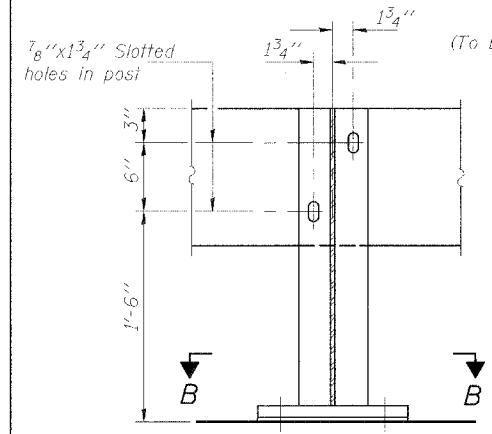
SECTION THRU BRACKET



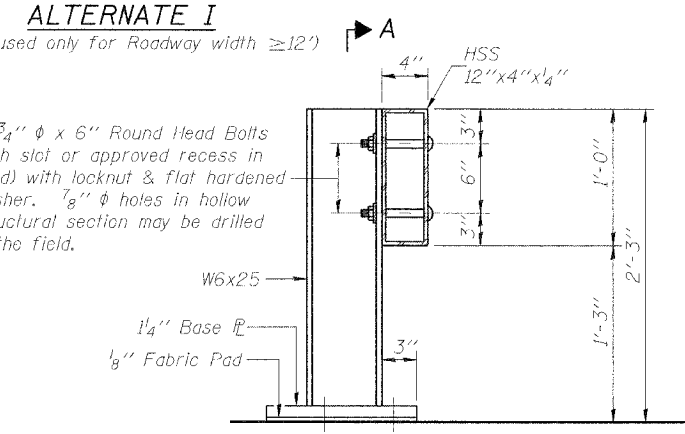
VIEW D-D



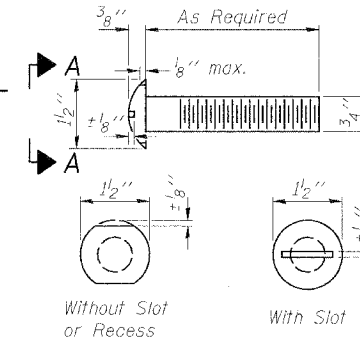
VIEW E-E



SECTION A-A

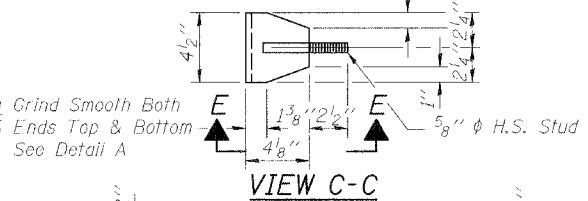


SECTION AT RAIL POST

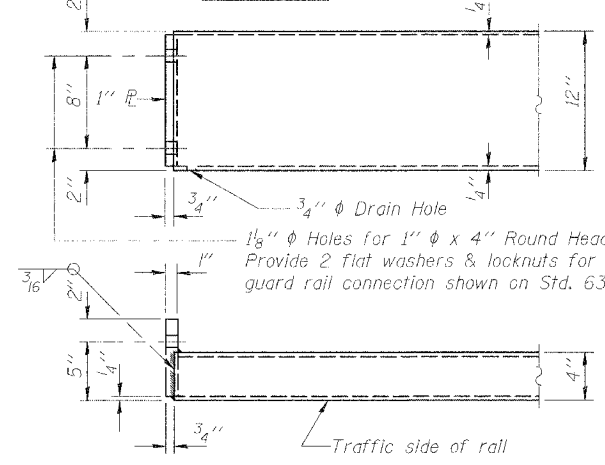


VIEW A-A ROUND HEAD BOLT

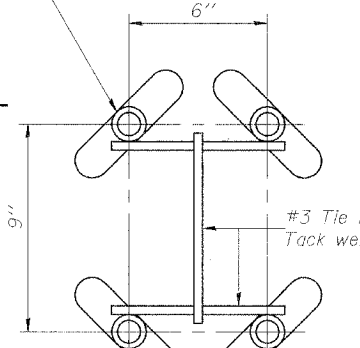
Wing type threaded inserts tapped for 1\"/>



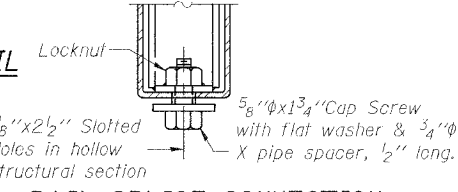
VIEW C-C



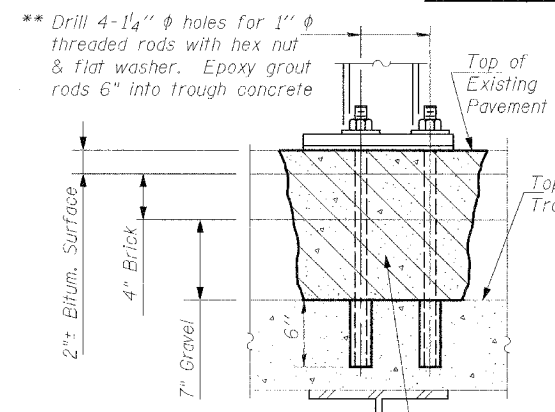
END OF RAIL DETAILS



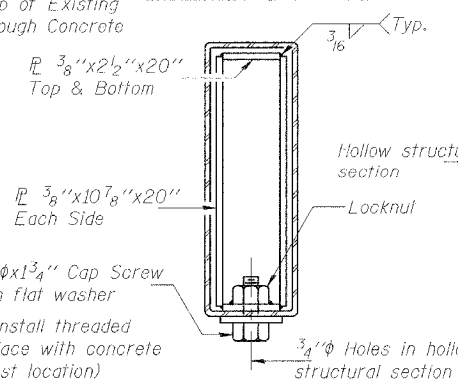
INSERT DETAIL



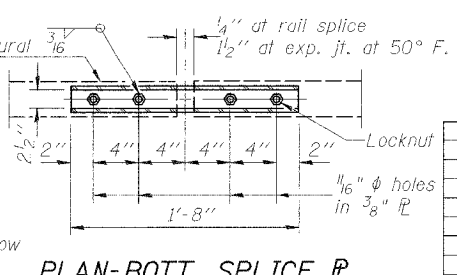
RAIL SPLICE CONNECTION AT EXPANSION JT.



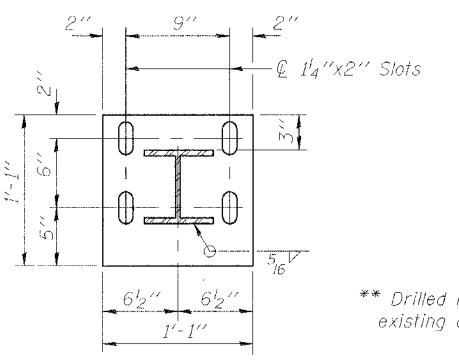
NEW & EXISTING DECKS ANCHORAGE DETAILS



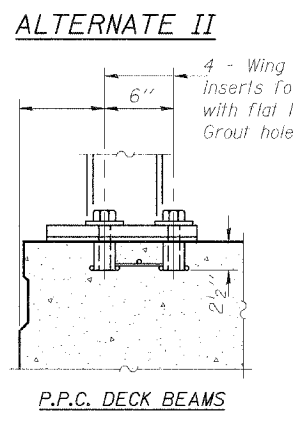
SECTION AT RAIL SPLICE



PLAN-BOTT. SPLICE R TYPICAL



SECTION B-B



P.P.C. DECK BEAMS

** Drilled holes for existing deck.

** 4-1 1/4\"/>

NOTES

Hollow structural sections shall conform to the requirements of ASTM designation A 500 Grade B Structural Steel Tubing.

All other steel shapes and plates shall conform to the requirements of AASHTO M 270 Grade 36 except posts and brackets shall conform to AASHTO M 270, Grade 50.

Bolts, cap screws, and nuts shall conform to the requirements of ASTM designation A 307 except for high strength bolts, threaded rods, studs, nuts and washers noted which shall conform to AASHTO M 164.

The bridge rail shall receive one shop coat of a steel prime paint.

The 1\"/>

BILL OF MATERIAL

Item	Unit	Quantity
Temporary Bridge Rail	Foot	126

TEMPORARY BRIDGE RAIL

Clorba Group, Inc.
CONSULTING ENGINEERS
5927 NORTH CUMBERLAND AVENUE - CHICAGO, ILLINOIS 60630 - (773) 775-0099

CITY OF EVANSTON, ILLINOIS
TEMPORARY BRIDGE RAIL
ASBURY AVENUE OVER CTA YELLOW LINE
SECTION 00-00215-00-BR
COOK COUNTY
STA. 103+20.00
STRUCTURE NO. 016-6959

REVISIONS	
NAME	DATE

SCALE: NONE
DATE: OCTOBER 2004
FILE: 3212

DRAWN BY: IMG
CHECKED BY: SCJ