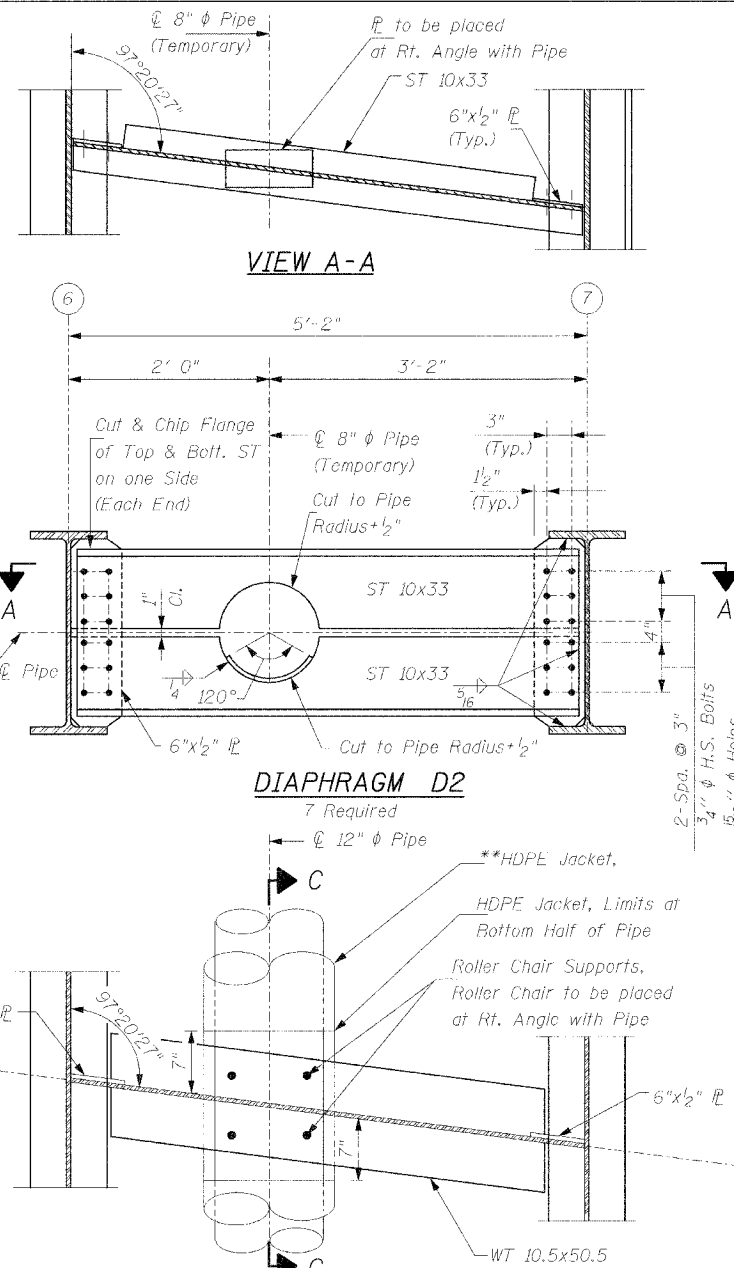


PLAN

Note:
For Details of Diaphragms D & D1 See Sheet S-16

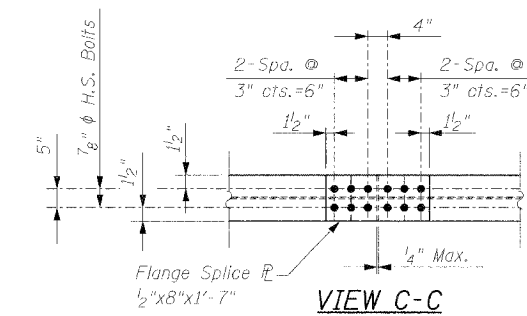


VIEW A-A

DIAPHRAGM D2

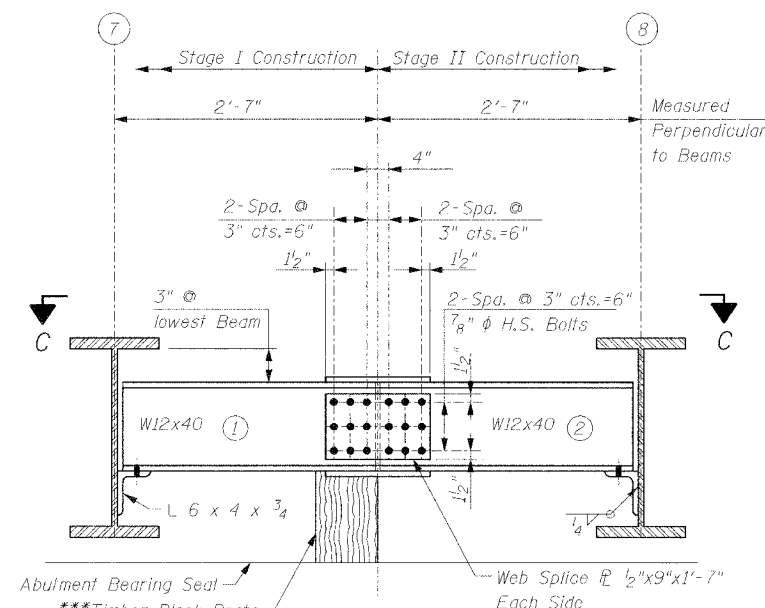
VIEW B-B

DIAPHRAGM D4



VIEW C-C

***Cost of Timber Block Posts is included in furnishing and erecting structural steel.

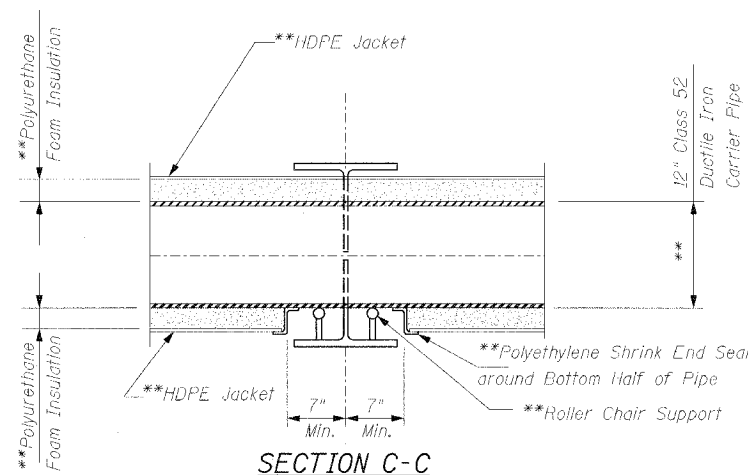


DIAPHRAGM D3
4 Required
(Looking North)

For details of connection to beams see diaphragm D.
Dimensions along \perp diaphragm U,G,N.

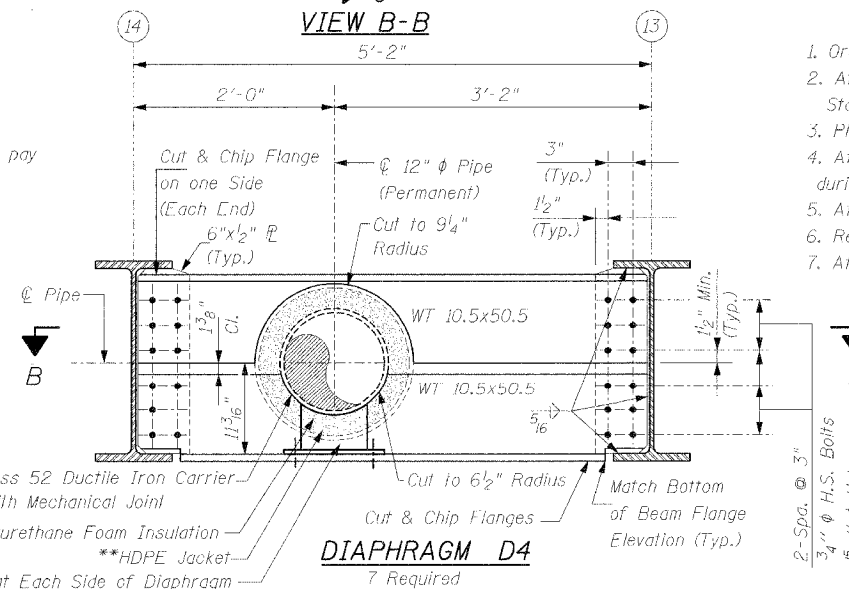
DIAPHRAGM D3 CONSTRUCTION SEQUENCE

1. Order Diaphragm D3 in two sections.
2. Attach section (1) of Diaphragm to Beam 7 and top flange splice \perp during Stage I Construction.
3. Place Timber Block Posts between section (1) of diaphragm and abutment bearing seat.
4. Attach section (2) of diaphragm to both Beam 7 and section (1) of diaphragm during Stage II Construction.
5. Attach web splice plates to sections (1) and (2) of diaphragms.
6. Remove Timber Block Posts.
7. Attach bottom flange splice plate to sections (1) and (2) of diaphragms.



SECTION C-C

** See Special Provision for "Water Main 12", Suspended". Cost to be included in pay item "Water Main 12", Suspended"



DIAPHRAGM D4

**12" Class 52 Ductile Iron Carrier Pipe with Mechanical Joint
**1/2" Polyurethane Foam Insulation
**HDPE Jacket
Roller Chair Support, One at Each Side of Diaphragm

| REVISIONS | |
|-----------|------|
| NAME | DATE |
| | |
| | |
| | |
| | |
| | |
| | |
| | |
| | |
| | |

GG Ciorba Group, Inc.
CONSULTING ENGINEERS
507 NORTH CUMBERLAND AVENUE • CHICAGO, ILLINOIS 60610 • (773) 755-9900

CITY OF EVANSTON, ILLINOIS
FRAMING PLAN
ASBURY AVENUE OVER CTA YELLOW LINE
SECTION 00-00215-00-BR
COOK COUNTY
STA. 103+20.00
STRUCTURE NO. 016-6959

SCALE: NONE
DATE: OCTOBER 2004
FILE: 3212

DRAWN BY: IMG
CHECKED BY: SCD