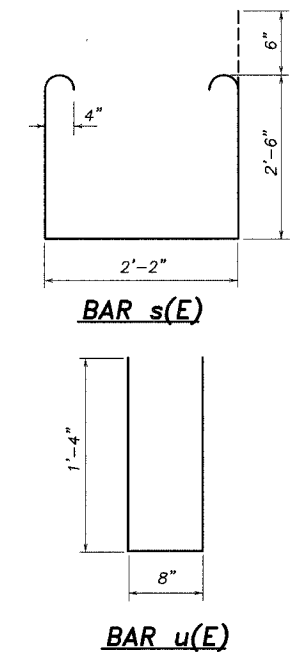
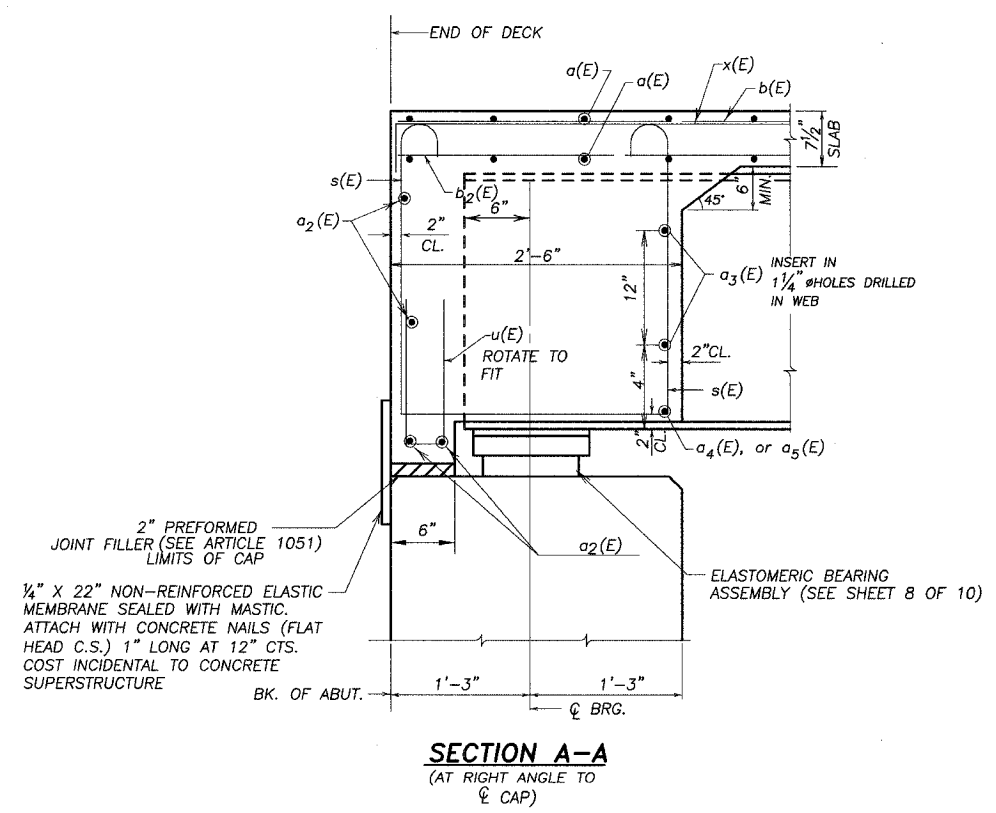
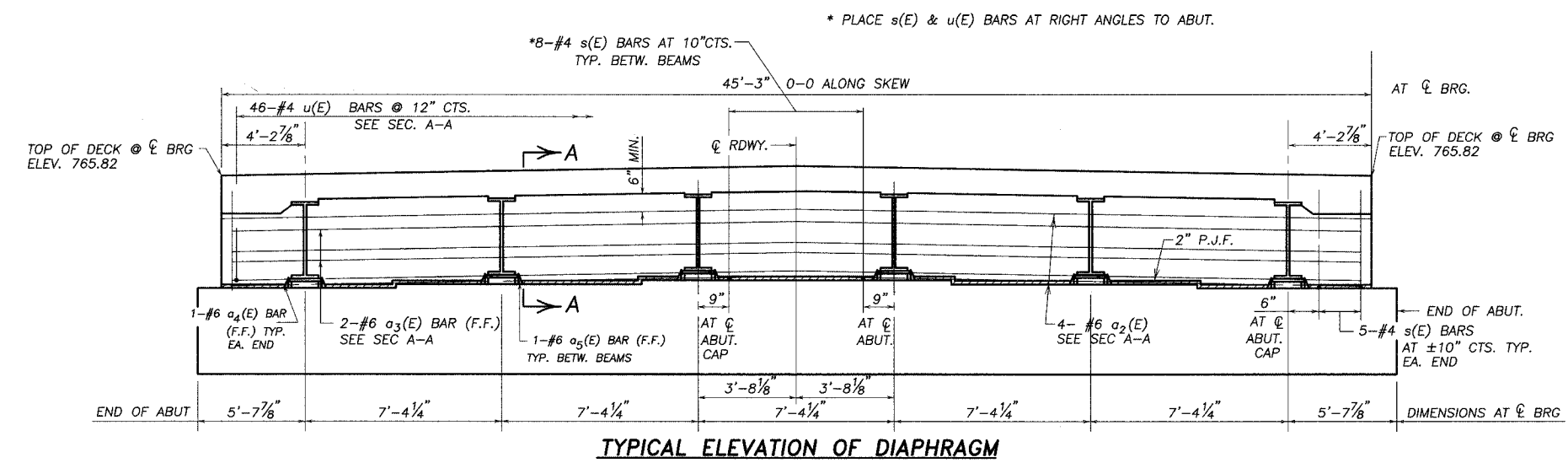


FAS ROUTE NO.	SEC	COUNTY	TOTAL SHEETS	SHEET NO
-	*	DEKALB	26	20

ILLINOIS PROJECT BRS-
* 99-00103-01-BR
BRIDGE SHEET 5 OF 10



BILL OF MATERIAL - SUPERSTRUCTURE

BAR	NO.	SIZE	LENGTH	SHAPE
a(E)	683	#5	31'-8"	—
a1(E)	390	#6	9'-8"	—
a2(E)	8	#6	45'-0"	—
a3(E)	4	#6	45'-0"	—
a4(E)	4	#6	4'-0"	—
a5(E)	10	#6	7'-0"	—
b(E)	231	#5	37'-0"	—
b1(E)	124	#6	28'-0"	—
b2(E)	228	#5	42'-8"	—
s(E)	100	#4	8'-2"	—
u(E)	92	#4	3'-4"	—
x(E)	66	#6	6'-3"	—
CONCRETE SUPERSTRUCTURE			CU. YD.	235.5
REINFORCEMENT BARS EPOXY COATED			LBS.	54800
PROTECTIVE COAT **			SQ. YD.	950
BRIDGE DECK GROOVING			SQ. YD.	868

REINFORCEMENT BARS INDICATED (E) SHALL BE EPOXY COATED. SEE SHEET 4 OF 10 FOR SUPERSTRUCTURE DETAILS
** INCLUDES TOP OF DECK AND EDGES TO THE DRIP NOTCH.

SUPERSTRUCTURE DETAILS
SECTION 99-00103-01-BR
KIRKLAND ROAD
DEKALB COUNTY
S.N. 019-3040