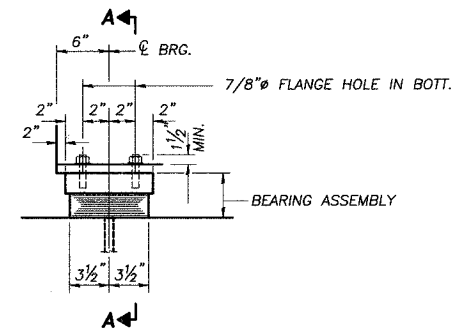
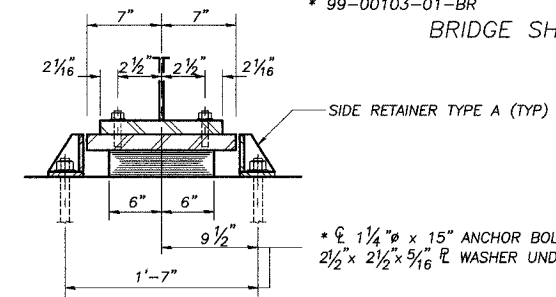


FAS ROUTE NO.	SEC	COUNTY	TOTAL SHEETS	SHEET NO.
-	*	DEKALB	26	23

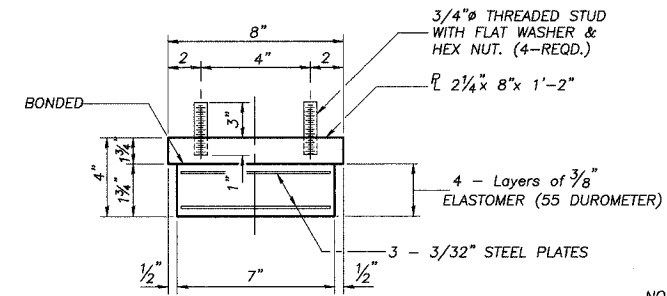
ILLINOIS PROJECT BRS-
* 99-00103-01-BR
BRIDGE SHEET 8 OF 10



ELEVATION



SECTION A-A



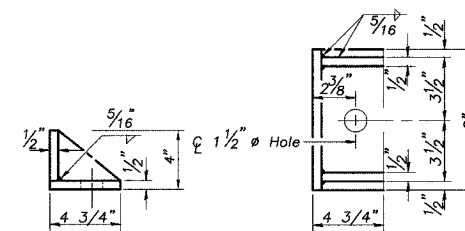
BEARING ASSEMBLY

Note: Shim plates shall not be placed under Bearing Assembly.
*Lengths shown are the required total lengths for the Illinois Coil Anchor Bolts.

NOTE: THE STRUCTURAL STEEL BEARING PLATES OF THE ELASTOMERIC BEARING ASSEMBLY SHALL CONFORM TO THE REQUIREMENTS OF AASHTO M270 GRADE 50.

TYPE I ELASTOMERIC EXPANSION BRG. - ABUTS

(12 REQUIRED)



SIDE RETAINER - TYPE A

Equivalent rolled angle with stiffeners will be allowed in lieu of welded plates.
(12 REQUIRED)

BILL OF MATERIAL

ITEM	UNIT	TOTAL
Elastomeric Bearing Assembly Type I	EACH	12

ELASTOMERIC BEARING TYPE I DETAILS
SECTION 99-00103-01-BR
KIRKLAND ROAD
DEKALB COUNTY
S.N. 019-3040