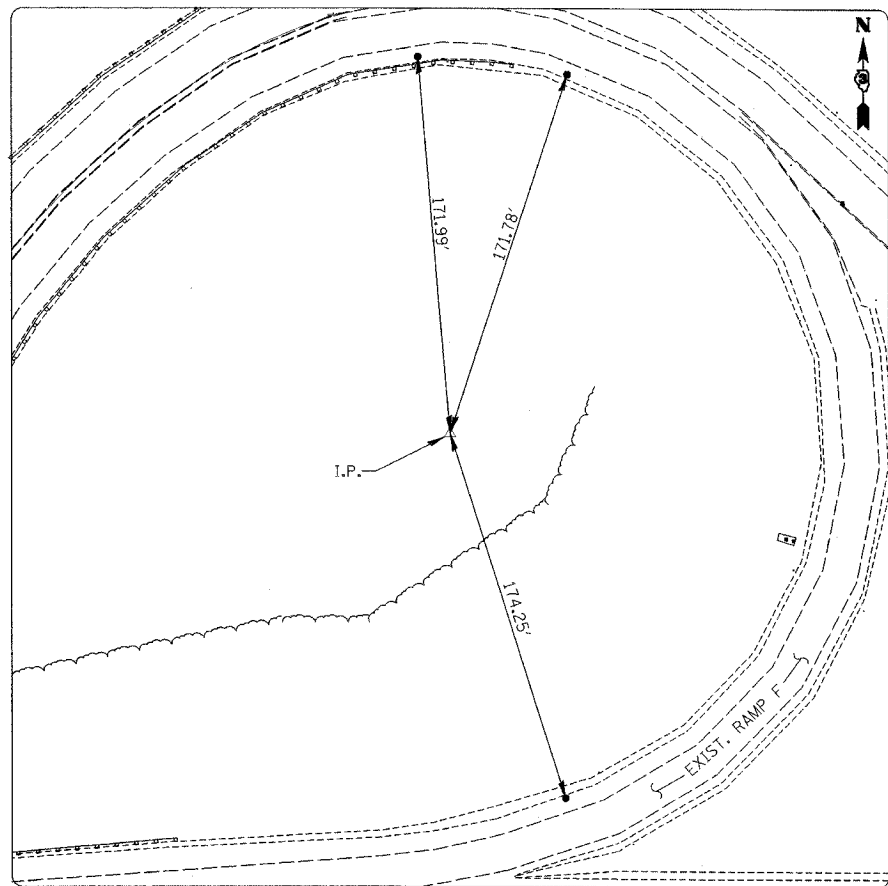


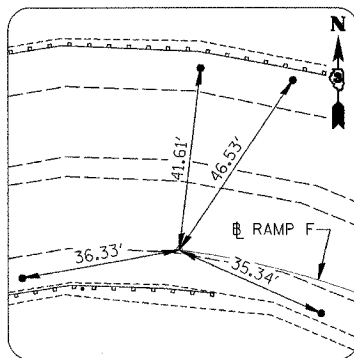
# RAMP F TIES

RTE.	SECTION	COUNTY	TOTAL SHEETS	SHEET NO.
FAI80	(50-2)HBR	LA SALLE	460	33
STA.		TO STA.		
FED. ROAD DIST. NO.		ILLINOIS FED. AID PROJECT		

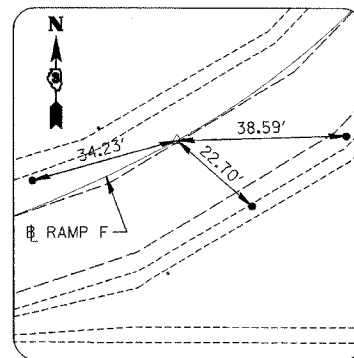
CONTRACT NO. 86603



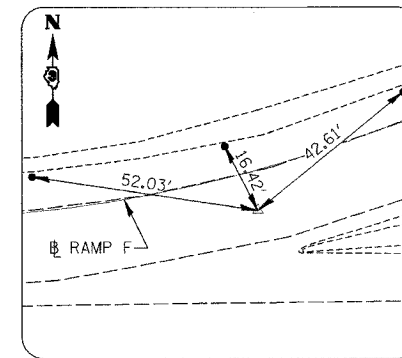
RAMP F R.P.  
N. 50261.70 E. 65823.25



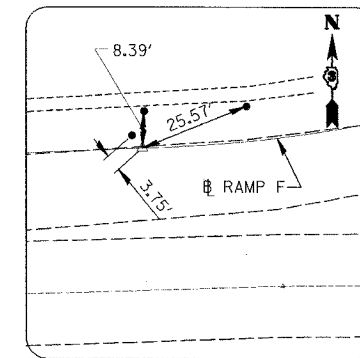
RAMP F - PCC STA. 125+24.31  
N. 50439.26 E. 65844.36



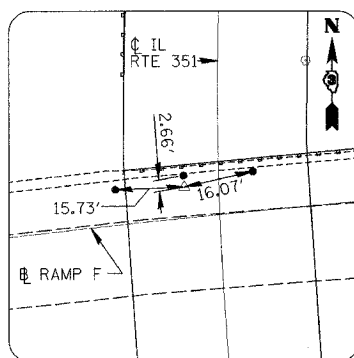
RAMP F - PCC STA. 129+75.71  
N. 50104.68 E. 65908.78



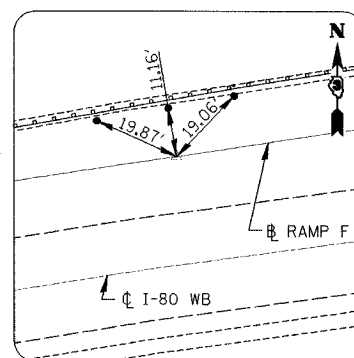
RAMP F - PI STA. 130+50.93  
N. 50068.70 E. 65842.72



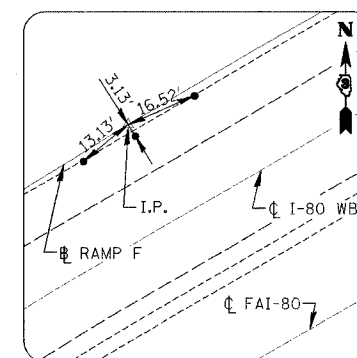
RAMP F - PRC STA. 131+23.34  
N. 50066.81 E. 65767.51



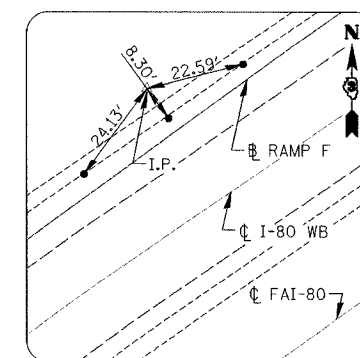
RAMP F - PI STA. 133+56.57  
N. 50057.27 E. 65534.47



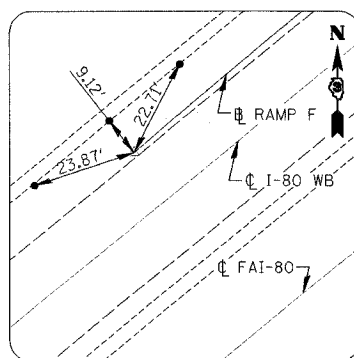
RAMP F - PCC STA. 135+89.22  
N. 50019.11 E. 65304.38



RAMP F - PCC STA. 150+91.77  
N. 49523.02 E. 63896.03



RAMP F - PI STA. 153+92.56  
N. 49365.72 E. 63639.63



RAMP F - PT STA. 156+92.15  
N. 49170.72 E. 63410.61

NOTE: ALL CONTROL AND TIE POINTS ARE PK NAILS EXCEPT AS NOTED.

REVISIONS	NAME

ILLINOIS DEPARTMENT OF TRANSPORTATION  
**TIES**  
F.A.I. 80 AT ILLINOIS ROUTE 351  
SCALE: NONE  
DATE: 09/04  
DRAWN BY: JDK  
CHECKED BY: MTD