

RTE.	SECTION	COUNTY	TOTAL SHEETS	SHEET NO.
FAI80	150-21HBR	LA SALLE	460	88
STA. 663+50		TO STA. 676+50		
FFD. ROAD DIST. NO.		ILLINOIS FED. AID PROJECT		

**CONTRACT NO. 86603**



S-1  
STA 174+70.59, 0' LT, RAMP E  
PRC FLARED END SECTION, 30" W/ GRATE  
INV = 611.06

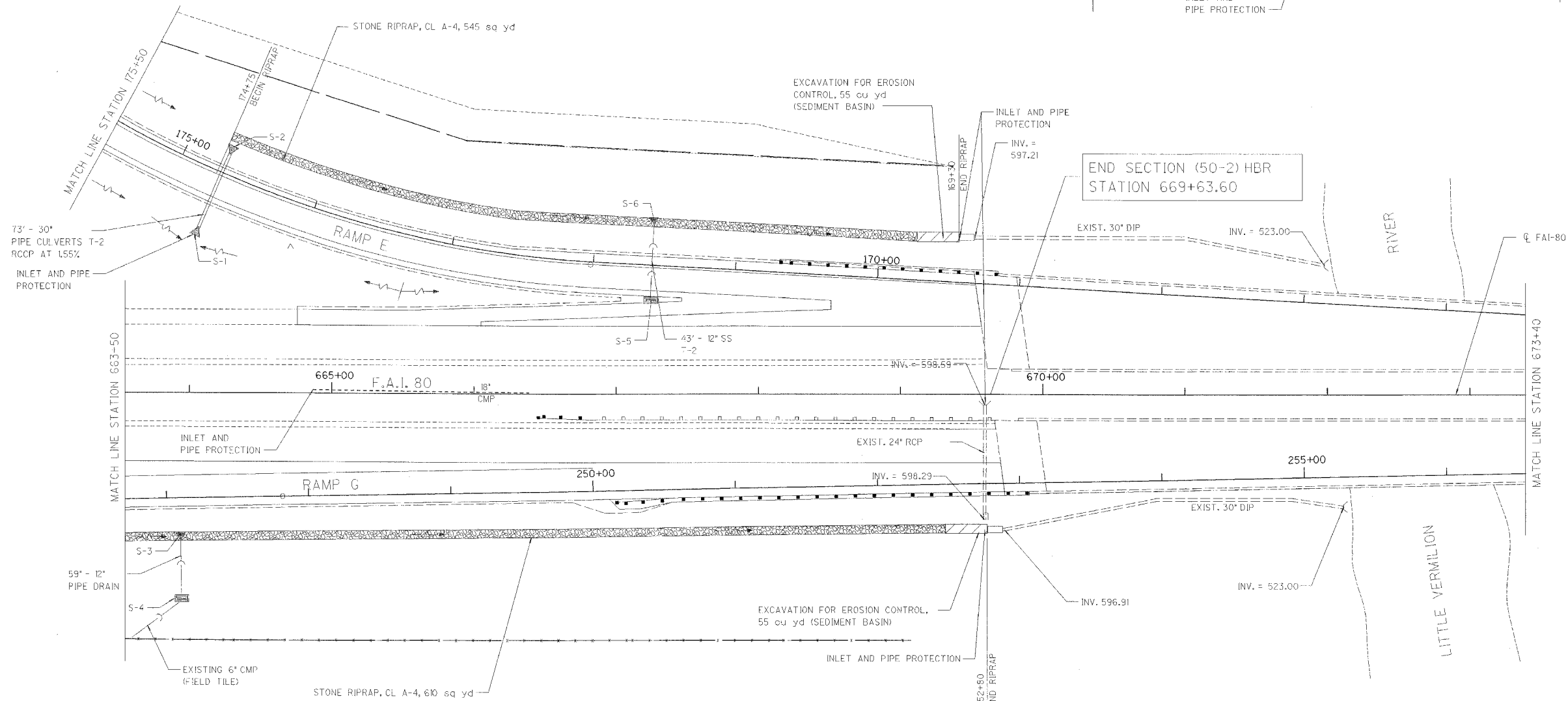
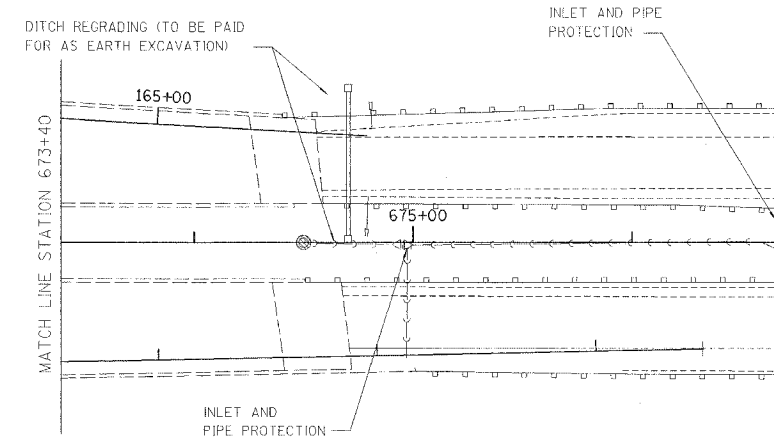
S-2  
STA 174+70.31, 0' RT, RAMP E  
PRC FLARED END SECTION, 30" W/ GRATE  
INV = 609.58

S-3  
STA 246+88.32, 0' RT, RAMP G  
END SECTION, 12"  
INV = 612.70

S-4  
STA 246+88.90, 2' RT, RAMP G  
FIELD TILE JUNCTION VAULT, 24" DIA.  
TYPE I, FR. & CLOSED LID  
ELEV=628.38  
INV = 622.70(N)

S-5  
STA 171+59.23, 0' LT, RAMP E  
INLET TYPE A, TYPE I FRAME AND OPEN LID  
ELEV. = 608.86  
INV = 604.86

S-6  
STA 171+62.26, 3' RT, RAMP E  
PRC FLARED END SECTION, 12"  
INV = 604.30



REVISIONS	DATE
NAME	

ILLINOIS DEPARTMENT OF TRANSPORTATION  
**EROSION CONTROL  
AND DRAINAGE PLAN**  
F.A.I. 80 AT ILLINOIS ROUTE 351  
STATION 663+50 TO STATION 676+50

DATE: 09/04  
DRAWN BY: JJK  
CHECKED BY: MTD

0 40 80  
SCALE IN FEET