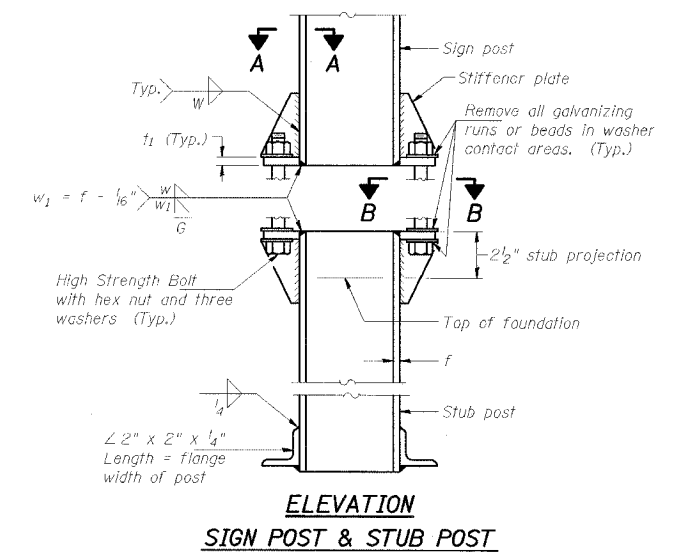
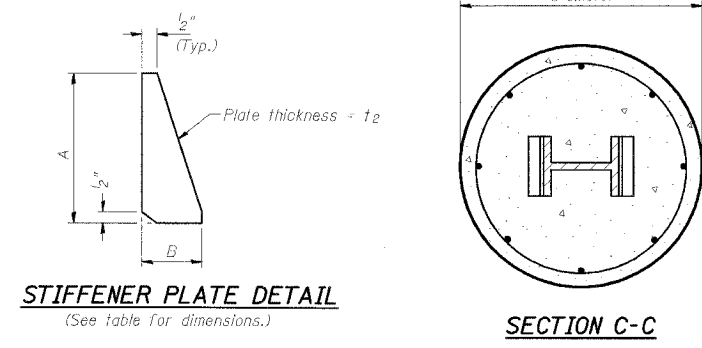
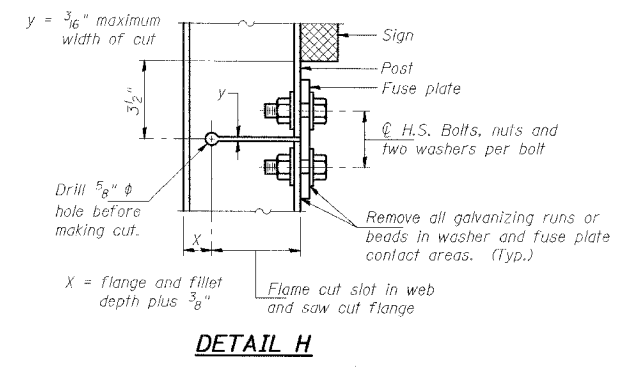
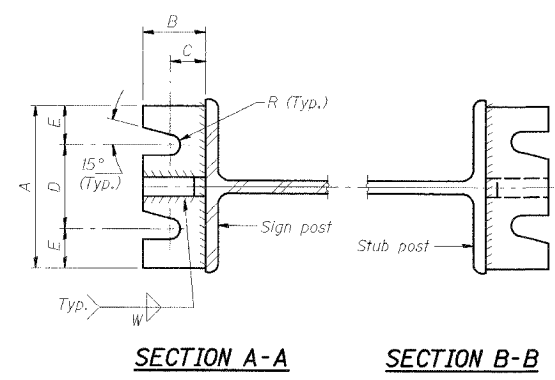
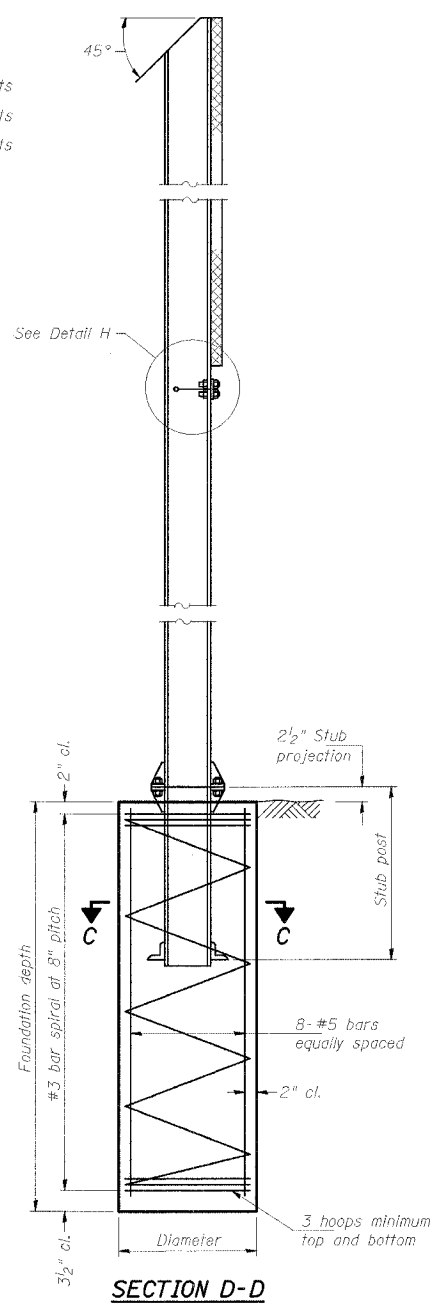


N = Bolt Diameter	G	H
1/2"	2"	1 1/8"
5/8"	2 1/4"	1 1/4"
3/4"	2 1/2"	1 3/8"
7/8"	2 3/4"	1 1/2"
1"	3"	1 5/8"
1 1/8"	3 1/4"	1 3/4"



GENERAL NOTES

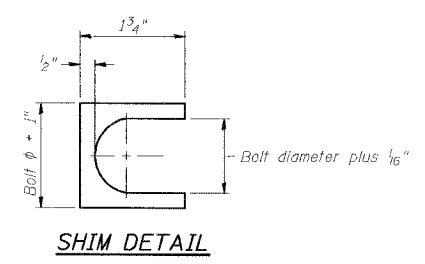
Posts shall be plumbed by using shims with post-to-stub post connection bolts snug tight only. Final tightening of all High Strength Bolts shall be in accordance with Article 505.04(f)(3), and threads at the junction of the bolt and nut shall be burred or center punched to prevent the nut from loosening.

LOADING: 80 m.p.h. wind with 30% gust factor, normal to sign.

DESIGN STRESSES:
 Structural steel - 20,000 p.s.i.
 Reinforcing steel - 20,000 p.s.i.
 Concrete - 1,400 p.s.i.
 Footing soil pressure - 2,000 p.s.f.

After fabrication, the post, fuse plate and upper 5" (Minimum) of the stub post shall be hot-dip galvanized in accordance with AASHTO M111. All bolts, nuts and washers shall be hot-dip galvanized in accordance with AASHTO M232.

Work this sheet with Base Sheet BAW-A-2.



Furnish two 0.01" thick and two 0.03" thick stainless steel or brass (ASTM B36) shims per post.

NUMBER	REVISION	DATE

7/1/2001
BAW-A-1

REVISIONS	NAME

ILLINOIS DEPARTMENT OF TRANSPORTATION

BREAK-AWAY WIDE FLANGE STEEL SIGN POST DETAILS

SCALE: NONE DATE: 09/04

DRAWN BY: JDK
CHECKED BY: MTD