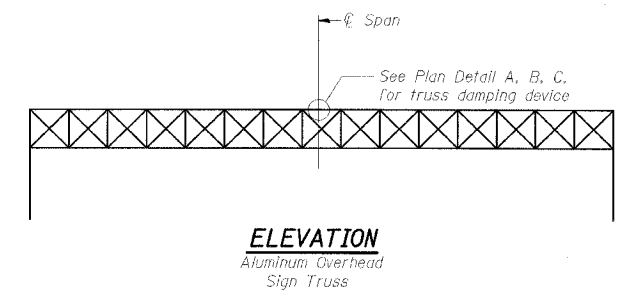
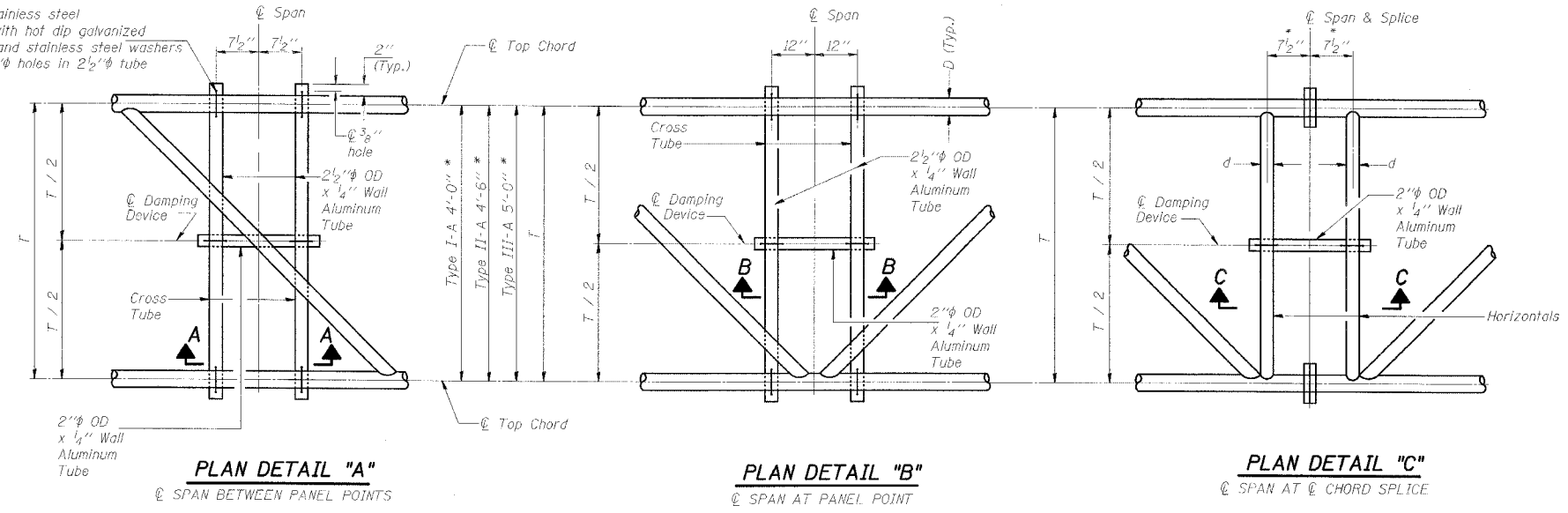


RTE.	SECTION	COUNTY	TOTAL SHEETS	SHEET NO.
FA180	150-2HBR	LA SALLE	460	131
STA.	TO STA.			
FED. ROAD DIST. NO.	ILLINOIS FED. AID PROJECT			

**CONTRACT NO. 86603** (4 OF 15)

\* Center of horizontal to center of splice dimension may vary. Verify before drilling holes in mounting tube.

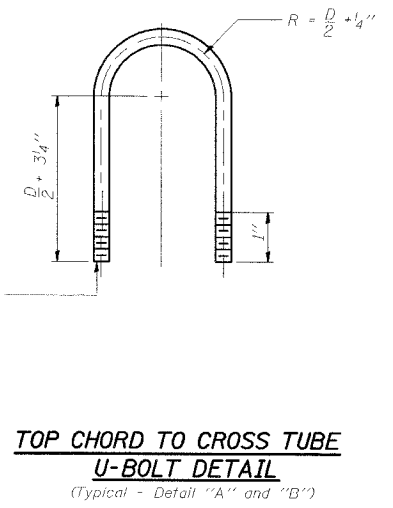
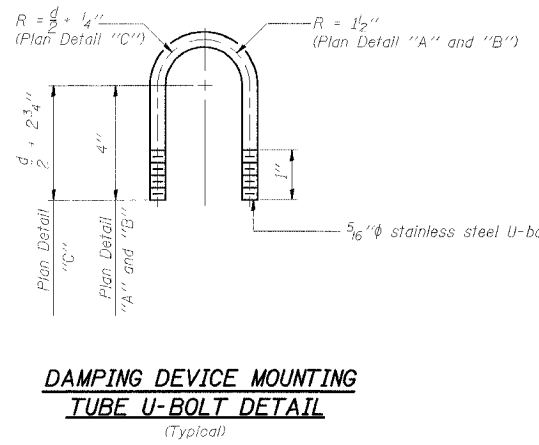
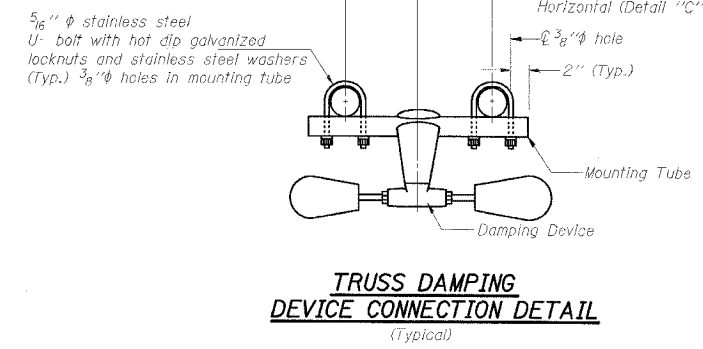
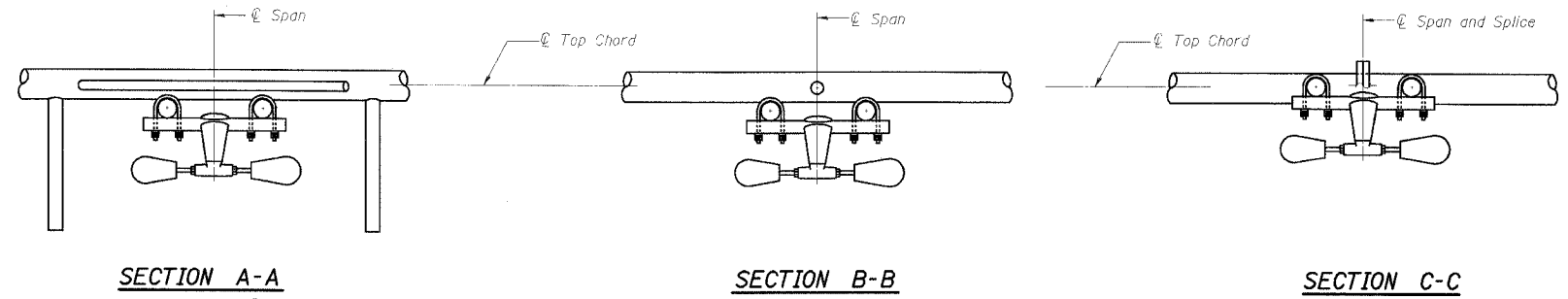
5/16" φ stainless steel U-bolt with hot dip galvanized locknuts and stainless steel washers (Typ.) 3/8" φ holes in 2 1/2" φ tube



**NOTES**

Damper: One damper per truss.  
(31 lbs. Stockbridge-Type Aluminum)  
Cost Included in "Overhead Sign Structure..."

Materials: Aluminum tubes shall be ASTM B221 alloy 6061 temper T6. Cost included in "Overhead Sign Structure..."



REVISIONS	NAME

ILLINOIS DEPARTMENT OF TRANSPORTATION

**OVERHEAD SIGN STRUCTURE DAMPING DEVICE**

3S0501080R076.4, STATION 643+14  
3S0501080L077.0, STATION 674+70

SCALE: NONE DRAWN BY: DWH  
DATE: 09/04 CHECKED BY: MTD/FMA