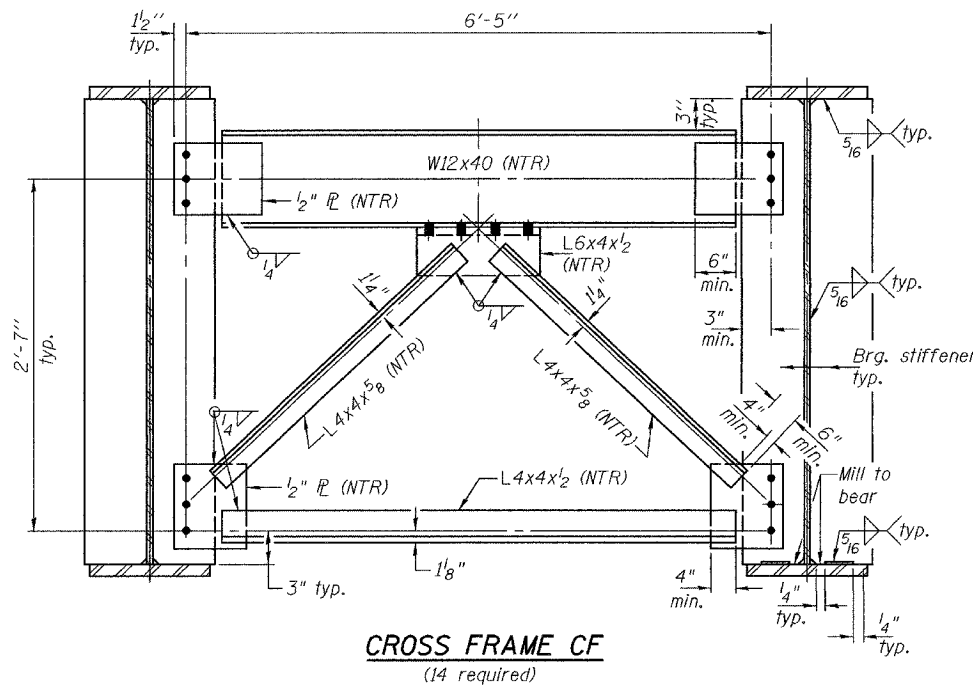


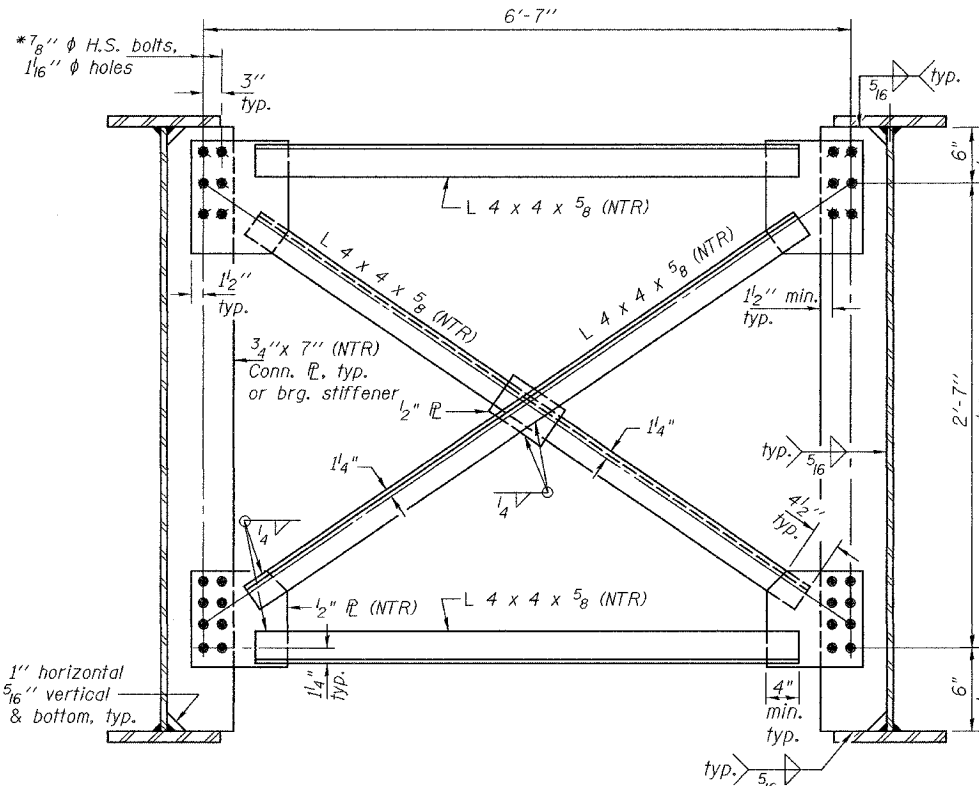
STATE OF ILLINOIS
DEPARTMENT OF TRANSPORTATION

| | | | | |
|-----------------------|---------------|-------------------|--------------------|--------------|
| ROUTE NO. | SECTION | COUNTY | SHEET | SHEET NO. 19 |
| F.A.I. 80 | (50-2) HBR | LaSALLE | 161 | 35 SHEETS |
| FED. ROAD DIST. NO. 7 | ILLINOIS | FED. AID PROJECT- | Contract No. 86603 | |



CROSS FRAME CF
(14 required)

* Use 1/2" vertical x 15/16" slotted holes in top and bottom of 1/2" plates for East side of Girder 4 cross frames CF₁ except at pier. The bolts for the slotted holes in Girder 4 shall only be finger tightened prior to the deck slab pouring of Stage II Construction and then fully tightened after completion of Stage II Construction.

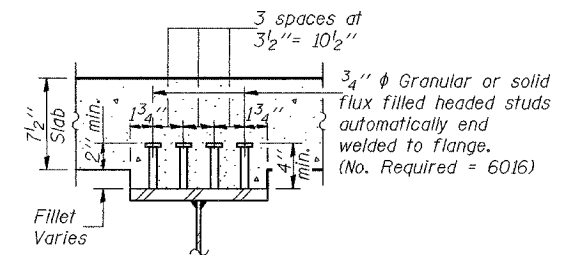


CROSS FRAME CF₁
(70 required)

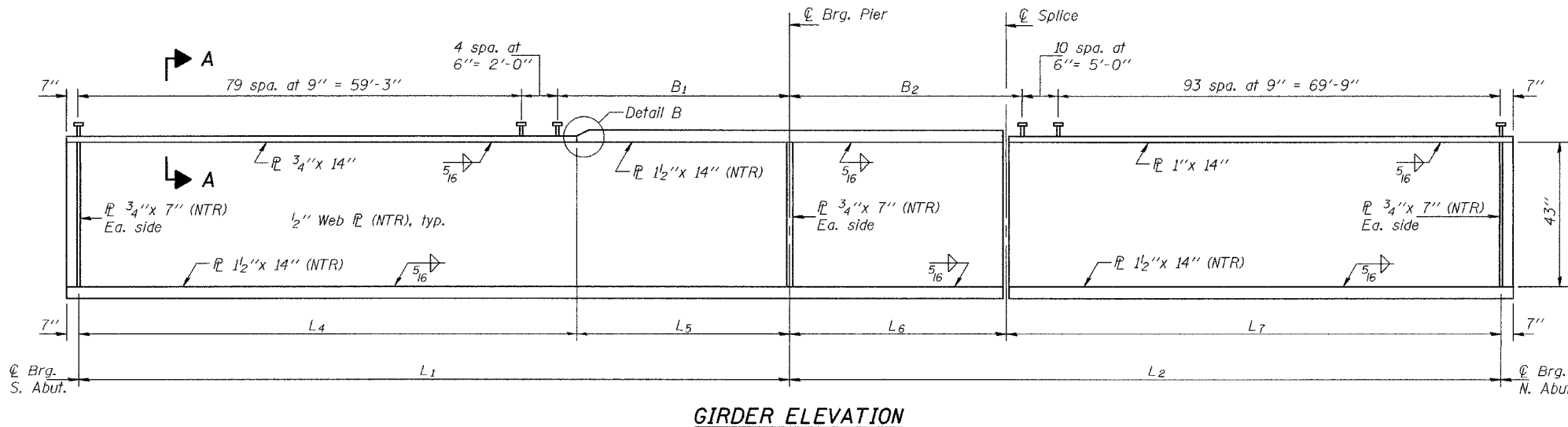
Notes: Two hardened washers shall be required over all oversized holes for cross frames.
"NTR" denotes elements to which notch toughness requirements are applicable.
For dimensions L₁, L₂, L₄, L₅, L₆, and L₇, see sheet 18 of 35.
All plates of the girders, including bearing stiffeners, shall be AASHTO M 270, Grade 50.
Use 7/8" φ H.S. bolts in all cross frames with 1/16" holes.
Omit connecting plates on exterior side of exterior girders

TABLE FOR B1 & B2

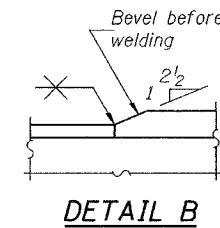
| Girder No. | B1 | B2 |
|------------|-------------|-------------|
| 1 | 22'-7 7/8" | 21'-4 3/8" |
| 2 | 22'-8" | 21'-4 3/8" |
| 3 | 22'-8 1/8" | 21'-4 3/8" |
| 4 | 22'-8 1/8" | 21'-4 7/16" |
| 5 | 22'-8 3/16" | 21'-4 7/16" |
| 6 | 22'-8 1/4" | 21'-4 1/2" |
| 7 | 22'-8 5/16" | 21'-4 1/2" |
| 8 | 22'-8 3/8" | 21'-4 1/2" |



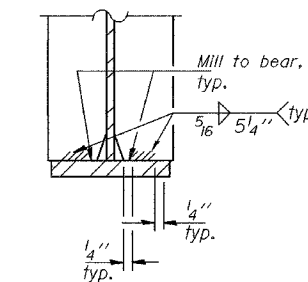
SECTION A-A



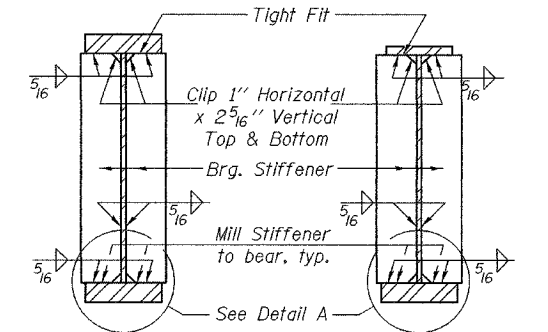
GIRDER ELEVATION



DETAIL B



DETAIL A



SECTION AT PIER

SECTION AT ABUTMENT

STRUCTURAL STEEL DETAILS
F.A.I. RT. 80 - SEC. (50-2)HBR
LaSALLE COUNTY
STATION 62+39.22
STRUCTURE NO. 050-0230

| | |
|----------|--------------|
| DESIGNED | CME |
| CHECKED | RLM |
| DRAWN | h.t. parsons |
| CHECKED | CME/RLM |

Nov. 29, 2004
EXAMINED *Thomas J. Damagala*
PASSED *Ralph E. Anderson*