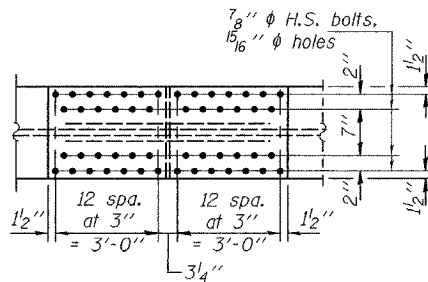
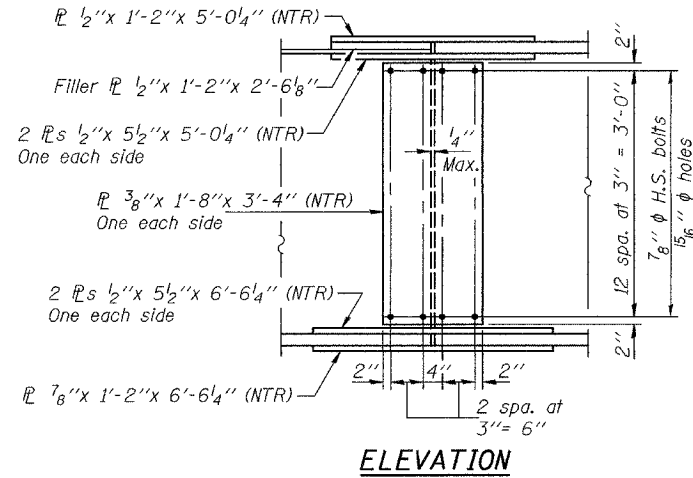
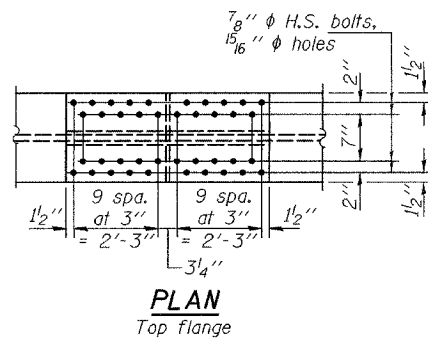


STATE OF ILLINOIS
DEPARTMENT OF TRANSPORTATION

ROUTE NO.	SECTION	COUNTY	TOTAL SHEETS	SHEET	SHEET NO. 20
F.A.I. 80	(50-2) HBR	LaSALLE		162	35 SHEETS
FED. ROAD DIST. NO. 7	ILLINOIS	FED. AID PROJECT-			

Contract No. 86603



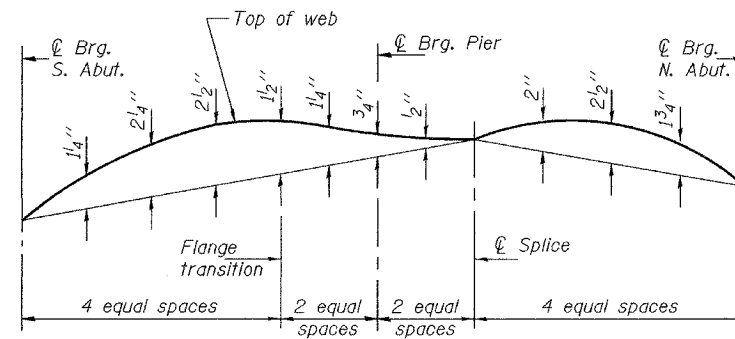
FIELD SPLICE DETAIL
(8 required)

Notes: NTR denotes members to which Notch Toughness Requirements are applicable.
Splice elevations are looking East.

	0.4 Sp. 1	Pier	0.6 Sp. 2
I_s	(in ⁴) 17673	24113	20041
I_c (n)	(in ⁴) 47524	—	48266
I_c (3n)	(in ⁴) 33705	—	34945
S_s	(in ³) 954	1048	993
S_c (n)	(in ³) 1306	—	1313
S_c (3n)	(in ³) 1197	—	1206
S_L	(in ³) 49.0	49.0	49.0
ϕ	(k/ft.) 0.883	1.435	0.897
$M\phi$	(k) 376	1477	621
$s\phi$	(k/ft.) 0.505	—	0.505
$Ms\phi$	(k) 239	—	372
M_L	(k) 633	455	728
M (Imp)	(k) 159	114	182
$5_3[M_L + M(\text{Imp})]$	(k) 1320	948	1517
M_a	(k) 2516	3153	3263
M_{bL}	(k) 7	23	10
$fs\phi$ non-comp (k.s.i.)	4.7	16.9	7.5
$fs\phi$ (comp) (k.s.i.)	2.4	—	3.7
$fs 5_3(L + \text{Imp})$ (k.s.i.)	12.1	10.9	13.9
f_L (k.s.i.)	1.7	5.6	2.4
fs (Overload) (k.s.i.)	19.3	27.8	25.1
fs (Total) (k.s.i.)	25.0	36.1	32.6
F_{cr} (Overload) (k.s.i.)	47.5	33.3	47.5
VR	(k) 31.9	—	34.7
F_{cr} (k.s.i.)	49.4	43.4	49.4

	S. Abut.	Pier	N. Abut.
$R\phi$	(k) 42.6	162.2	53.9
R_L	(k) 42.9	63.8	50.1
Imp.	(k) 12.9	19.2	15.0
R (Total)	(k) 98.4	245.2	119.0

I_s and S_s are the moment of inertia and section modulus of the steel section used in computing fs (Total and Overload).
 I_c (n) & S_c (n) are the moment of inertia and section modulus of the composite section used in computing stresses due to live load.
 I_c (3n) and S_c (3n) are the moment of inertia and section modulus of the composite section used in computing stresses due to superimposed dead loads (See AASHTO 10.38).
 S_L is the section modulus for one flange plate for lateral flange bending.
 $M\phi$ - Moment due to dead loads on non-composite section.
 $Ms\phi$ - Moment due to dead loads on composite section.
 M_L - Moment due to live load on non-composite or composite section.
 $M(\text{Imp})$ - Moment due to live load impact on non-composite or composite section.
 M_a (Applied Moment) = $1.3[M\phi + Ms\phi + \frac{5}{3}(M_L + M(\text{Imp}))]$.
 M_{bL} is the lateral bending moment for one flange plate (factored).
 $fs\phi$ (non-comp) is the stress due to $M\phi$.
 $fs\phi$ (comp) is the stress due to $Ms\phi$.
 fs (Overload) is the sum of the stresses due to $M\phi + Ms\phi + \frac{5}{3}(M_L + M(\text{Imp}))$.
 $fs 5_3(M_L + M(\text{Imp}))$ is 5_3 times the stresses due to $M_L + M(\text{Imp})$.
 f_L is the calculated normal stress at the edge of the flange due to lateral bending (factored).
 fs (Total) is the sum of the stresses due to $1.3[M\phi + Ms\phi + \frac{5}{3}(M_L + M(\text{Imp}))]$.
 F_{cr} (Overload) is the critical average flange stress at overload computed according to the 2003 AASHTO Guide Specifications for Horizontally Curved Steel Girder Highway Bridges Section 9.5.
 VR is the maximum L + impact shear range in span.
 F_{cr} is the critical average flange stress computed according to the 2003 AASHTO Guide Specifications for Horizontally Curved Steel Girder Highway Bridges Sections 5.2, 5.3 and 5.4.
 M_L and R_L includes the effects of centrifugal force and superelevation.



CAMBER DIAGRAM

DESIGNED	CME
CHECKED	RLM
DRAWN	h.t. parsons
CHECKED	CME/RLM

Nov. 29, 2004
 EXAMINED *Thomas J. Domagalicki*
 ENGINEER OF BRIDGE DESIGN
 PASSED *Ralph E. Anderson*
 ENGINEER OF BRIDGES AND STRUCTURES

STRUCTURAL STEEL DETAILS
 F.A.I. RT. 80 - SEC. (50-2)HBR
 LaSALLE COUNTY
 STATION 62+39.22
 STRUCTURE NO. 050-0230