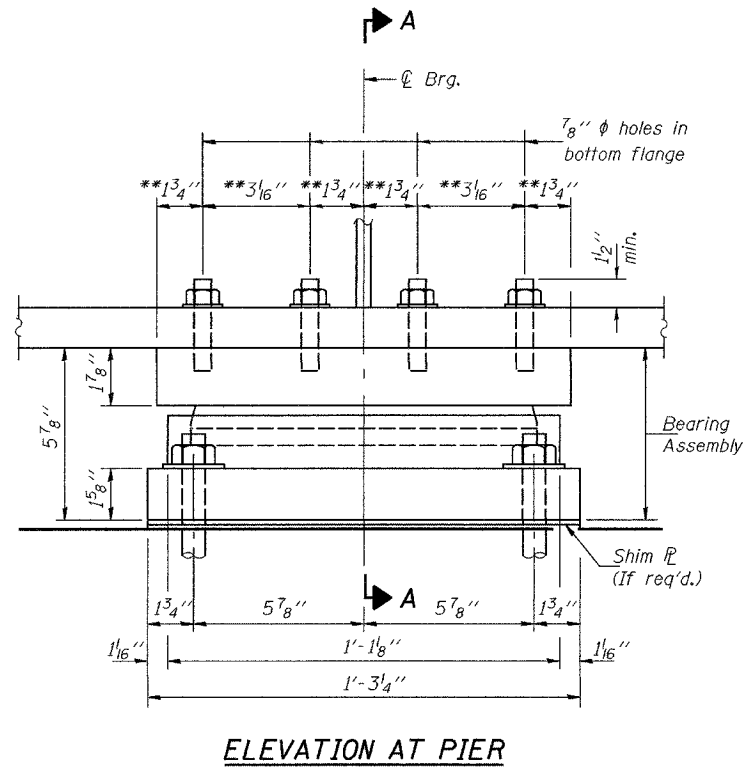


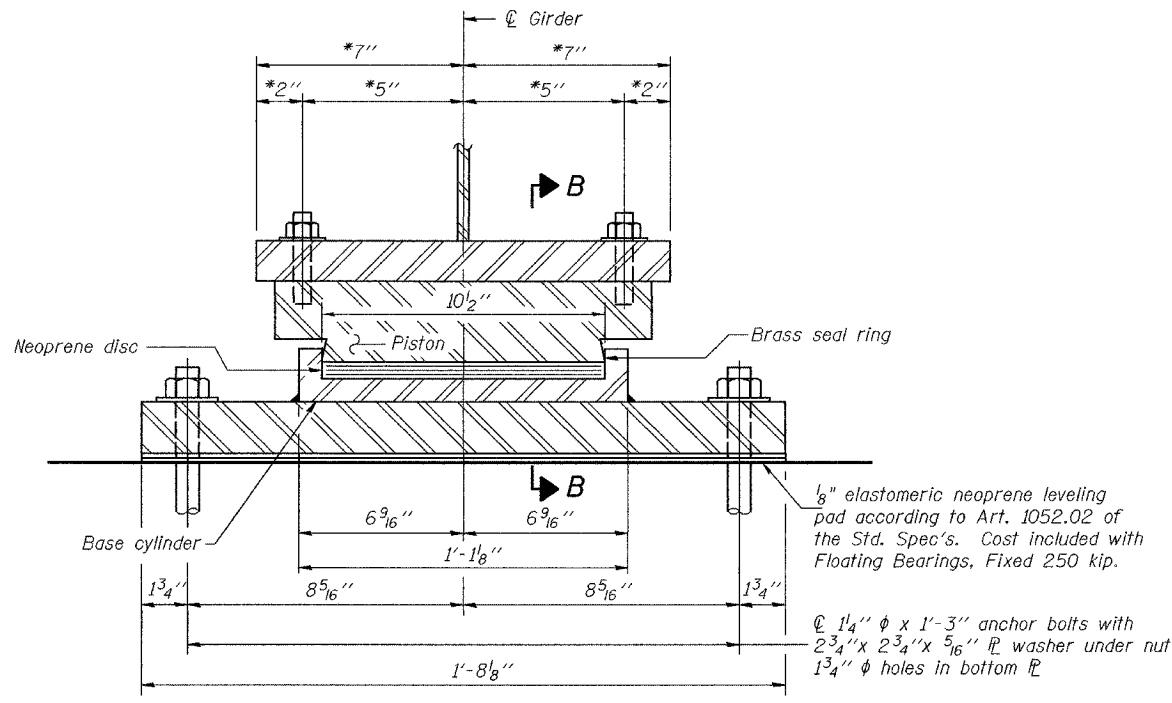
STATE OF ILLINOIS
DEPARTMENT OF TRANSPORTATION

ROUTE NO.	SECTION	COUNTY	SHEET	SHEET NO. 22
F.A.I. 80	(50-2) HBR	LaSALLE	164	35 SHEETS
FED. ROAD DIST. NO. 7	ILLINOIS	FED. AID PROJECT		

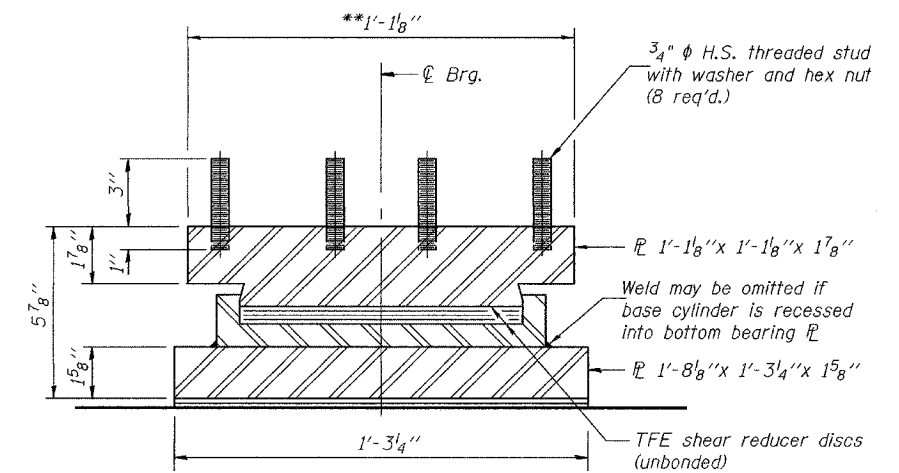
Contract No. 86603



ELEVATION AT PIER



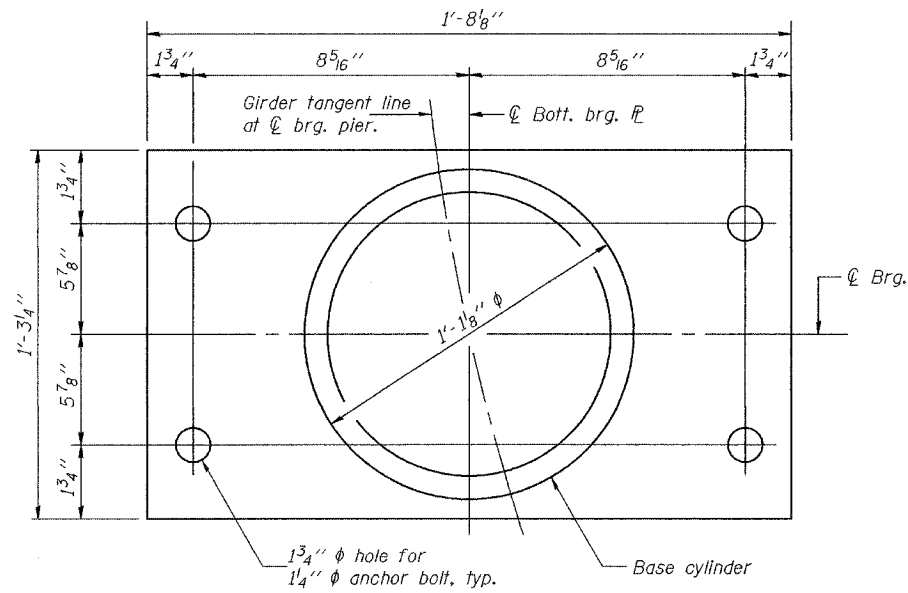
SECTION A-A



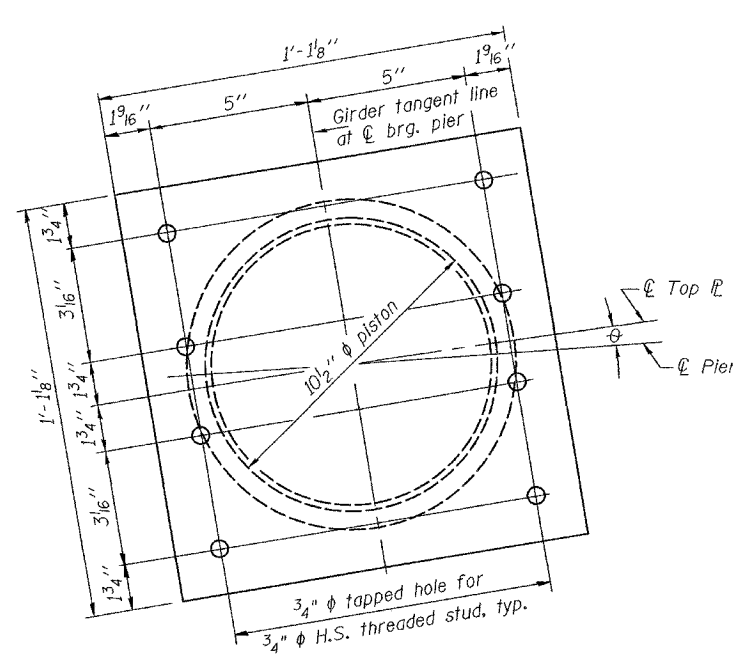
SECTION B-B

* Dimensions perpendicular to girder tangent line at \varnothing brg. pier.
** Dimensions along \varnothing girder and top brg. \varnothing .

FIXED FLOATING BEARING



BOTTOM BEARING PLATE AND
BASE CYLINDER PLAN



TOP BEARING PLATE AND
PISTON PLAN

Notes: The plates of the Bearing Assembly shall be AASHTO M270, Grade 50.
For anchor bolt installation details, see sheet 23 of 35.

TOP BEARING PLATE
ANGLES

Girder No.	θ
1	2°27'36"
2	2°29'00"
3	2°30'25"
4	2°31'52"
5	2°33'21"
6	2°34'52"
7	2°36'24"
8	2°37'59"

BEARING DATA		
Vertical design load		246 kip
Lateral design load		55.2 kip

BILL OF MATERIAL

Item	Unit	Total
Erecting Floating Bearings, Fixed 250 kip	Each	8

DESIGNED	CME
CHECKED	RLM
DRAWN	h.t. parsons
CHECKED	CME/RLM

Nov. 29, 2004
EXAMINED *Thomas J. Demagalabi*
ENGINEER OF BRIDGE DESIGN
PASSED *Ralph E. Anderson*
ENGINEER OF BRIDGES AND STRUCTURES

BEARING DETAILS
F.A.I. RT. 80 - SEC. (50-2)HBR
LaSALLE COUNTY
STATION 62+39.22
STRUCTURE NO. 050-0230