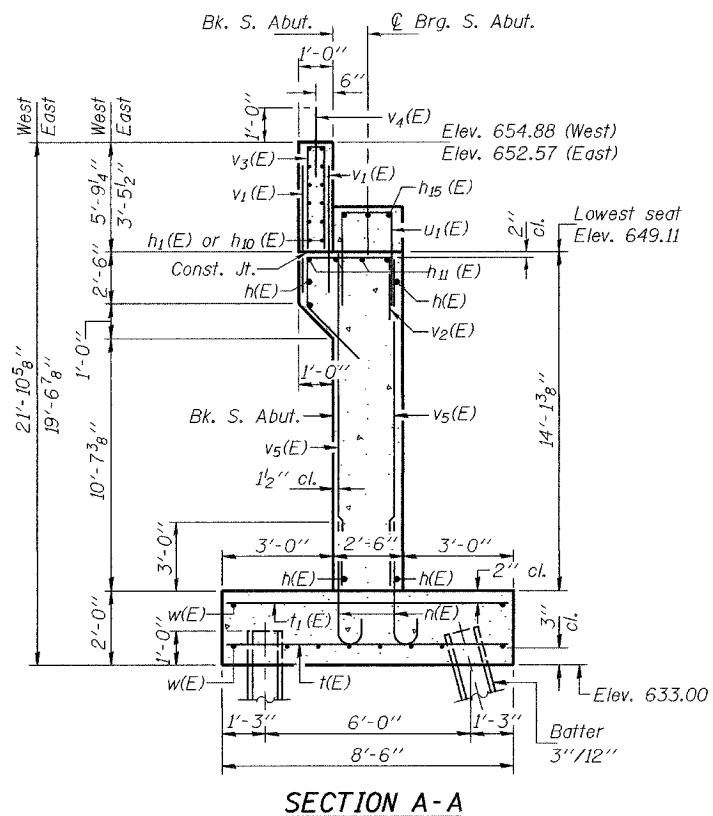
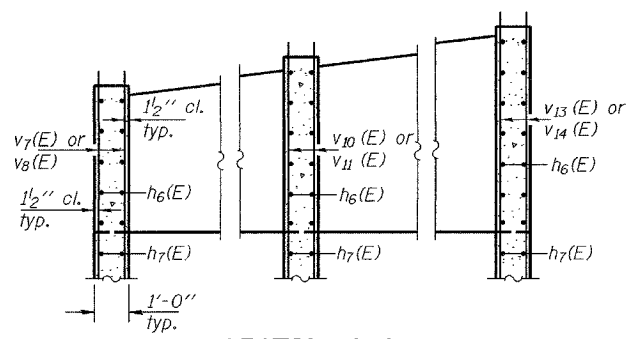


STATE OF ILLINOIS
DEPARTMENT OF TRANSPORTATION

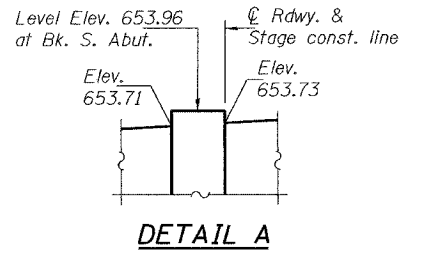
ROUTE NO.	SECTION	COUNTY	SHEET	SHEET NO. 25
F.A.I. 80	(50-2) HBR	LaSALLE	167	35 SHEETS
FED. ROAD DIST. NO. 7		ILLINOIS		FED. AID PROJECT
Contract No. 86603				



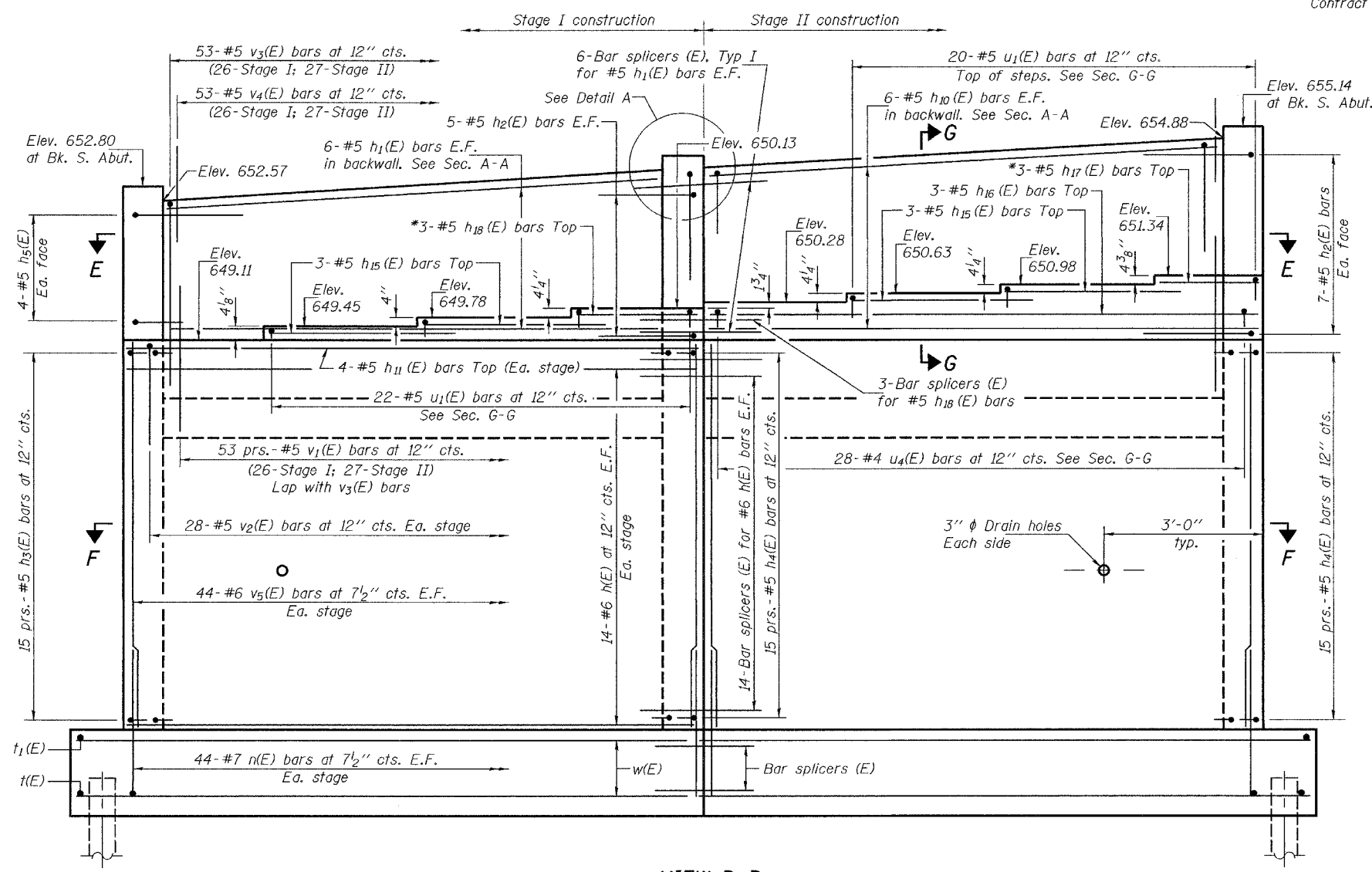
SECTION A-A



SECTION C-C



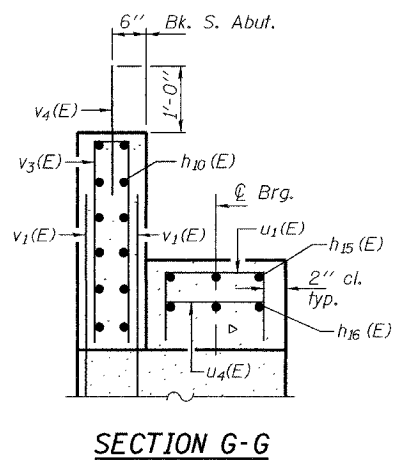
DETAIL A



VIEW D-D
(Looking South)

* Cut to fit in field.

Notes:
Space reinforcement in cap to miss anchor bolts.
Reinforcement bars designated (E) shall be epoxy coated.
Four steps monolithically with stem.
For bar splicer details, see sheet 32 of 35.
For Sections E-E & F-F, see sheet 24 of 35.



SECTION G-G

DESIGNED	RLM
CHECKED	CME
DRAWN	h.t. parsons
CHECKED	RLM/CME

Nov. 29, 2004
EXAMINED *Thomas J. Domagalak*
PASSED *Ralph E. Anderson*
ENGINEER OF BRIDGES AND STRUCTURES

SOUTH ABUTMENT
F.A.I. RT. 80 - SEC. (50-2)HBR
LaSALLE COUNTY
STATION 62+39.22
STRUCTURE NO. 050-0230