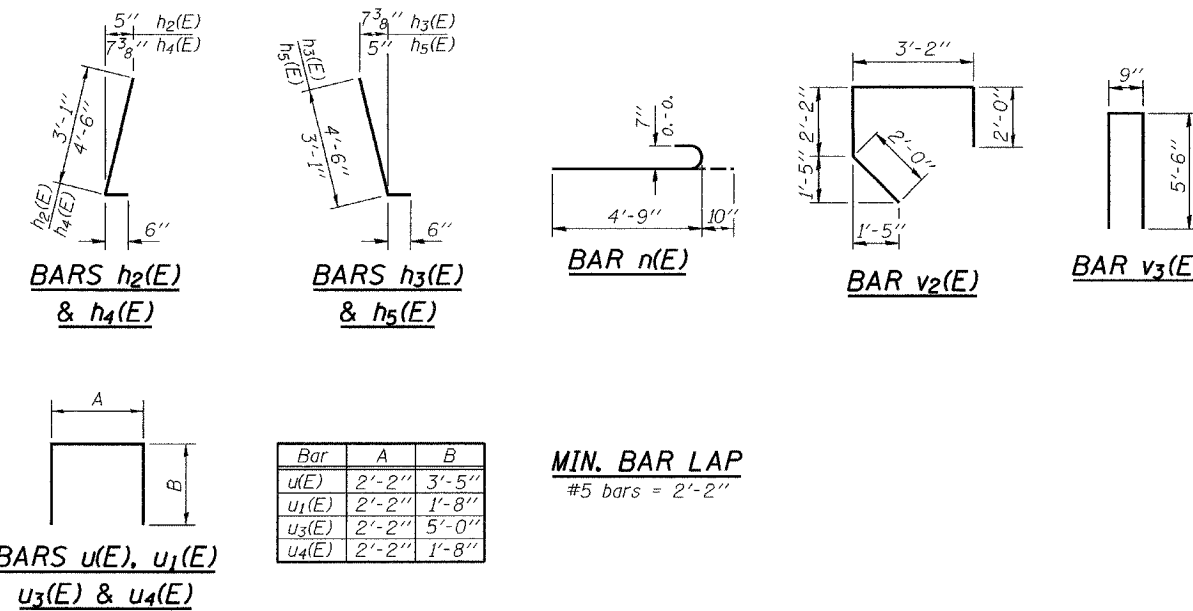
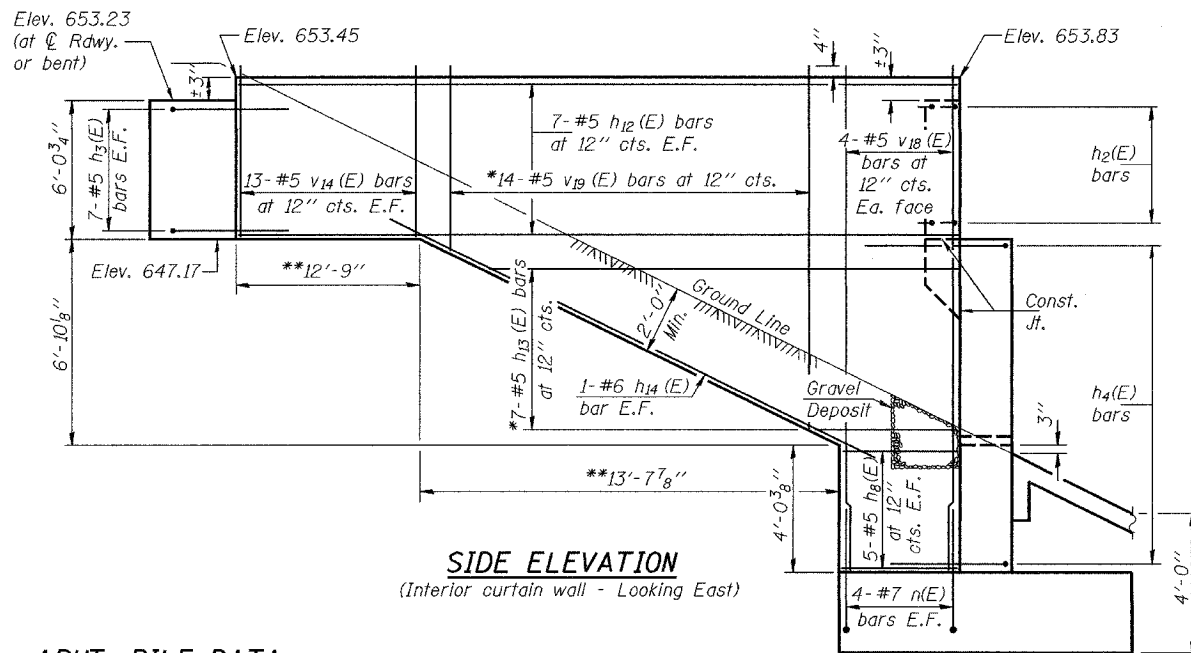
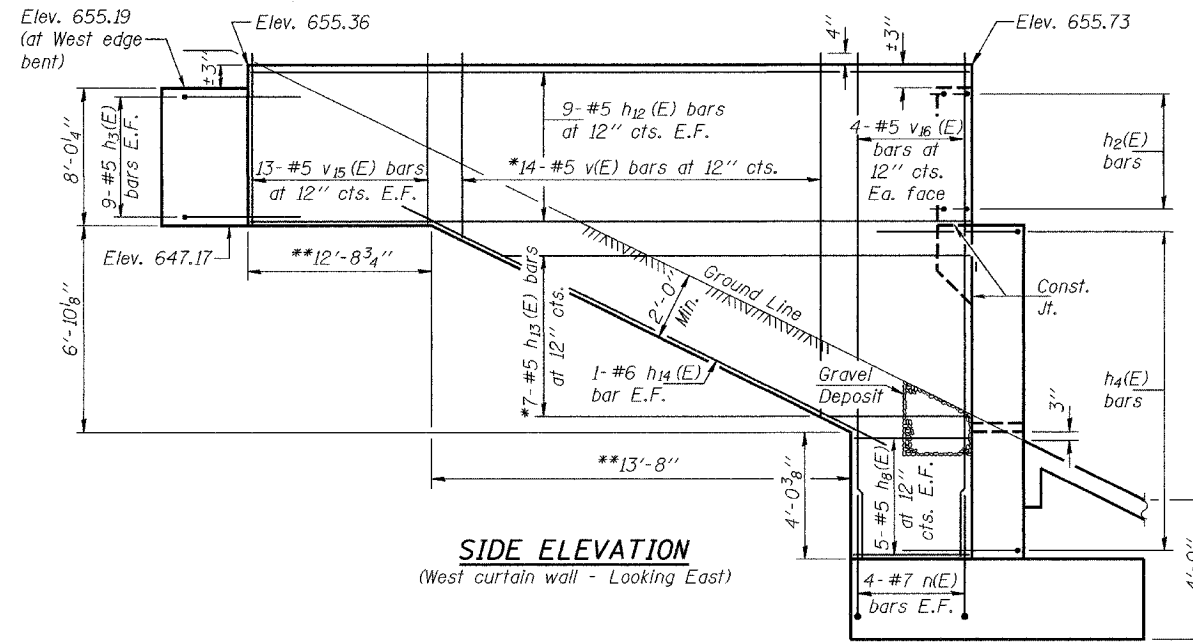
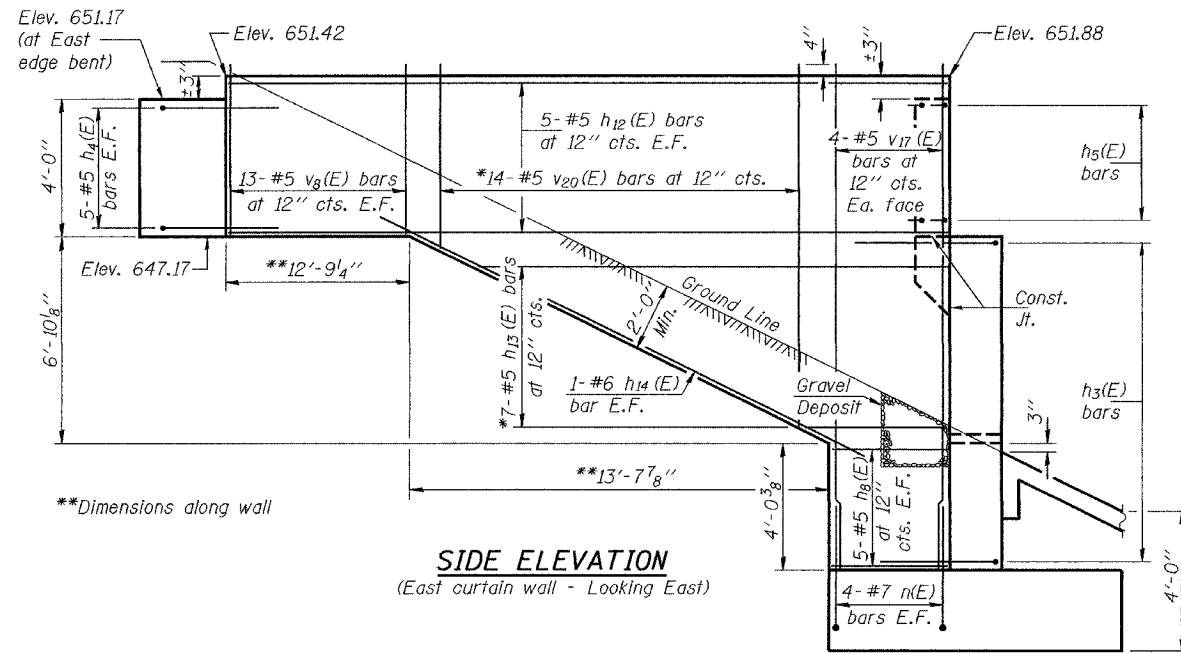


STATE OF ILLINOIS  
DEPARTMENT OF TRANSPORTATION

ROUTE NO.	SECTION	COUNTY	SHEETS	"SET"	SHEET NO. 29
F.A.I. 80	(50-2) HBR	LaSALLE		171	35 SHEETS
FED. ROAD DIST. NO. 7	ALLIANCE	FED. AID PROJECT	Contract No. 86603		



BILL OF MATERIAL

Bar	No.	Size	Length	Shape
h(E)	48	#6	26'-5"	
h1(E)	14	#5	24'-5"	
h2(E)	28	#5	3'-7"	L
h3(E)	58	#5	5'-0"	L
h4(E)	62	#5	5'-0"	L
h5(E)	8	#5	3'-7"	L
h6(E)	30	#5	2'-9"	
h8(E)	14	#5	25'-6"	
h11(E)	8	#5	26'-5"	
h12(E)	42	#5	29'-2"	
h13(E)	21	#5	19'-8"	
h14(E)	6	#6	16'-4"	
h15(E)	6	#5	8'-7"	
h17(E)	3	#5	5'-4"	
h18(E)	3	#5	6'-11"	
h19(E)	3	#5	19'-4"	
h20(E)	3	#5	13'-11"	
h21(E)	3	#5	26'-3"	
n(E)	200	#7	5'-7"	
p(E)	34	#7	26'-5"	
t(E)	86	#7	8'-2"	
t1(E)	58	#6	8'-2"	
v(E)	14	#5	24'-0"	
v1(E)	52	#5	4'-8"	
v2(E)	56	#5	9'-4"	
v3(E)	53	#5	11'-9"	
v4(E)	165	#5	2'-3"	
v8(E)	26	#5	4'-8"	
v14(E)	26	#5	6'-8"	
v15(E)	26	#5	8'-7"	
v16(E)	8	#5	19'-6"	
v17(E)	8	#5	15'-10"	
v18(E)	8	#5	17'-9"	
v19(E)	14	#5	20'-6"	
v20(E)	14	#5	16'-6"	
v21(E)	54	#5	6'-9"	
v22(E)	176	#6	11'-7"	
u(E)	18	#5	9'-0"	
u1(E)	42	#5	5'-6"	
u3(E)	86	#5	12'-2"	
u4(E)	42	#4	5'-6"	
w(E)	68	#5	15'-1"	
Concrete Structures	Cu. Yd.		178.0	
Reinforcement Bars, Epoxy Coated	Pound		21980	
Furnishing Steel Piles HP12x53	Foot		1392	
Driving Steel Piles HP12x53	Foot		1392	
Test Pile Steel HP12x53	Each		1	
Structure Excavation	Cu. Yd.		166.3	
Sand Backfill	Cu. Yd.		278.1	

ABUT.-PILE DATA

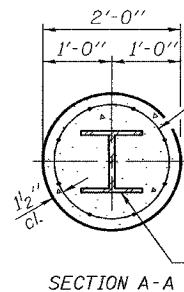
Type: HP12x53  
Capacity: Driven to refusal  
Est. Length: 48'  
No. Req'd.: 19 + 1 test pile

APPR. BENT-PILE DATA

Type: HP12x53  
Capacity: Driven to refusal  
Est. Length: 60'  
No. Req'd.: 8

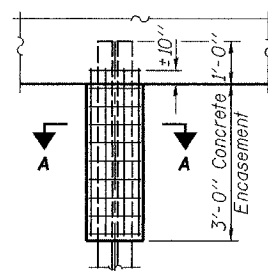
DESIGNED	RLM
CHECKED	CME
DRAWN	h.t. parsons
CHECKED	RLM/CME

Nov. 29, 2004  
EXAMINED *Thomas J. Damagala*  
PASSED *Ralph E. Anderson*  
ENGINEER OF BRIDGES AND STRUCTURES



Welded wire fabric 6 x 6-W4.0 x W4.0 weighing 58#/100 sq. ft. The cost of Excavation, Concrete Encasement and Reinforcement is included with Furnishing Piles. Forms for Encasement may be omitted when soil conditions permit.

PILE ENCASEMENT DETAIL



FIELD CUTTING DIAGRAM

\* Order h13(E), v(E), v19(E) & v20(E) bars full length. Cut to fit as shown and use remainder of bars in other face.

	v20(E)	v19(E)	v(E)	h13(E)
a	4'-11"	6'-11"	8'-8"	3'-3"
b	11'-7"	13'-7"	15'-4"	16'-5"
c	16'-6"	20'-6"	24'-0"	19'-8"
d	14	14	14	7

NORTH ABUTMENT DETAILS  
F.A.I. RT. 80 - SEC. (50-2)HBR  
LaSALLE COUNTY  
STATION 62+39.22  
STRUCTURE NO. 050-0230