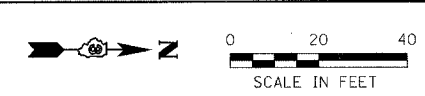


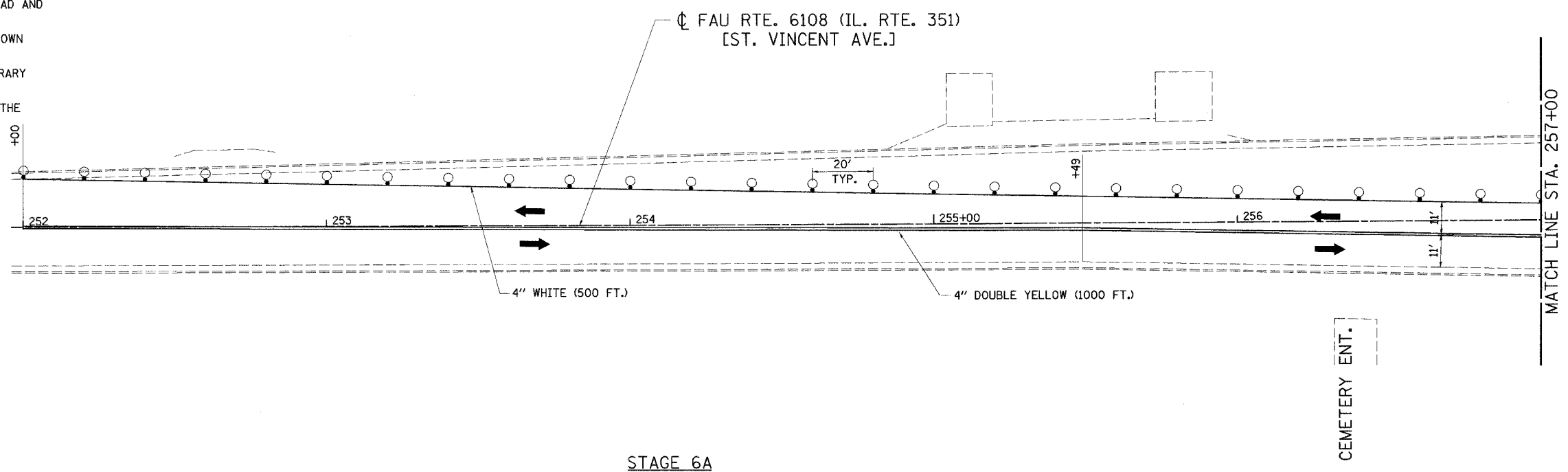
DESIGN		
INT.	DATE	REASON

**STAGE 6A TRAFFIC CONTROL AND CONSTRUCTION SEQUENCE
STA. 252+00 TO STA. 271+00**

1. CONTRACTOR SHALL PLACE ALL ADVANCED WARNING SIGNAGE PRIOR TO BEGINNING ANY CONSTRUCTION. (SEE ADVANCE SIGNING DETAILS)
2. TRAFFIC WILL BE SHIFTED TO THE EAST SIDE OF IL RTE. 351 AND THE REMAIN ON THE NORTH SIDE OF CIVIC ROAD AND N. 30th ROAD.
3. PLACE ALL TEMPORARY PAVEMENT MARKINGS AS SHOWN ON THE PLANS.
4. CONTRACTOR SHALL PROVIDE AND MAINTAIN TEMPORARY ENTRANCES WHEN REQUIRED DURING CONSTRUCTION.
5. REMOVE THE EXISTING PAVEMENT AND CONSTRUCT THE NEW PAVEMENT AS SHOWN ON THE PLANS.
6. TRAFFIC CONTROL AT THE INTERSECTION WILL REMAIN A 4 - WAY STOP CONDITION UNLESS OTHERWISE DIRECTED BY THE ENGINEER.



F.A.U. RTE.	SECTION	COUNTY	TOTAL SHEET NO.
6108	(70XN & TS-1)	LA SALLE	460/287
STA. 252+00		TO STA. 261+00	
FED. ROAD DIST. NO.		ILLINOIS FED. AID PROJECT	
CONTRACT NO. 86603			

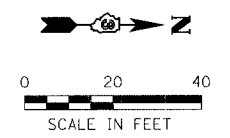
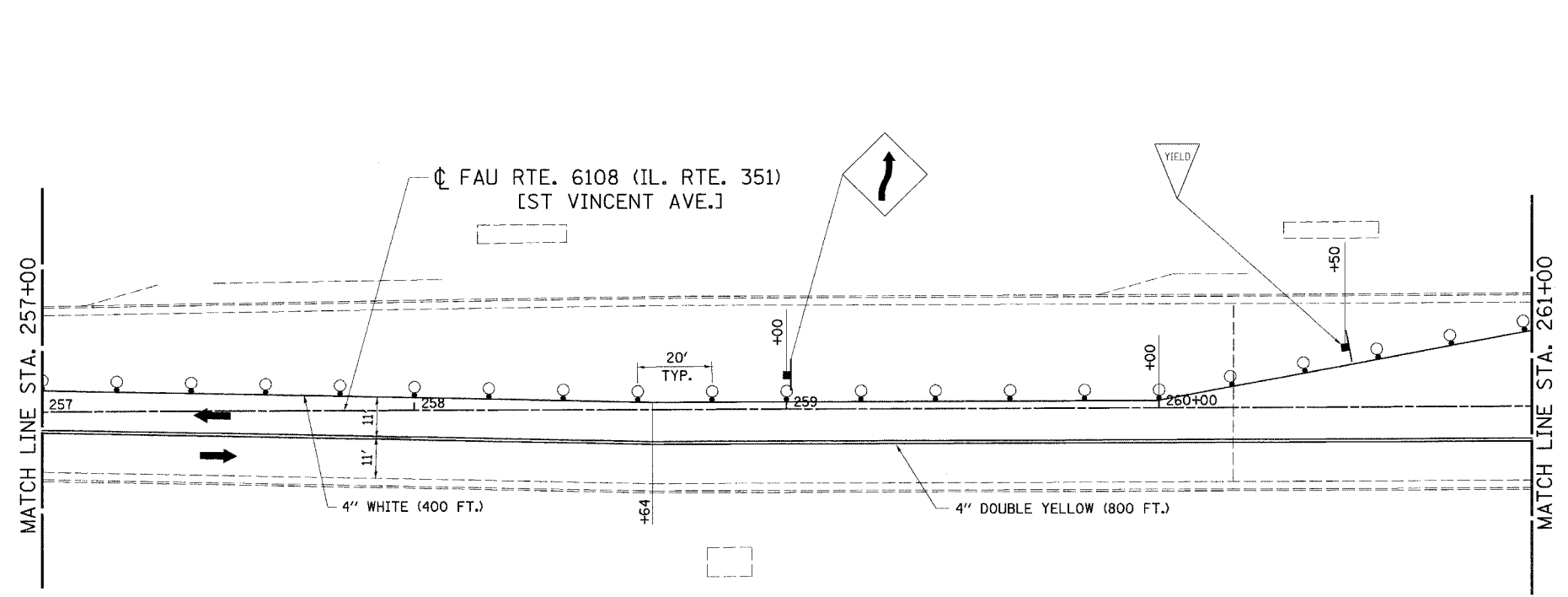


PLOTS & CHECKS			
INT.	DATE	NO.	REASON

STAGE 6A

FILE NAME = \$FILES\$
 PLOT SCALE = \$PLOTSCALE\$
 PLOT TIME = \$PLOTTIME\$
 OPERATOR = \$OPERATOR\$

CHECKS		
INT.	DATE	REASON



LEGEND

DIRECTION OF TRAFFIC	
TYPE C BIDIRECTIONAL REFLECTOR	
TYPE III BARRICADE W/ FLASHING LIGHTS	
TYPE III BARRICADE	
DRUM OR BARRICADE WITH STEADY BURNING LIGHT	
WORK ZONE	
DRUM OR BARRICADE	
TEMPORARY WIDENING	

ILLINOIS DEPARTMENT OF TRANSPORTATION
STAGE 6A TRAFFIC CONTROL & CONSTRUCTION
 STA. 252+00 TO STA. 261+00
 FAU 6108 (IL RTE. 351)
 SECTION (70XN & TS-1)
 LA SALLE COUNTY

REVISIONS	
NAME	DATE

SCALE: VERT. DRAWN BY: Heb
 HORIZ. DESIGNED BY: COLBROOK
 DATE 05/07/03 CHECKED BY: COLBROOK

GREENB & BRADFORD, INC.
 OF SPRINGFIELD
 REGISTERED PROFESSIONAL ENGINEERS
 LICENSE NO. 0219-0001

COMPUTER FILE NO.
 STAGE6-A-1
 PROJECT 01194_5.n
 02/17/04 Heb