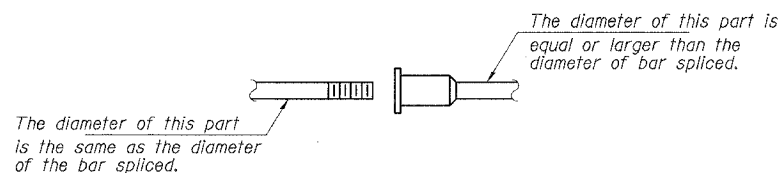


SPLICER DETAIL

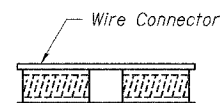
Bar Size	No. Assemblies Required	Location



ROLLED THREAD DOWEL BAR



**** ONE PIECE**



WELDED SECTIONS

BAR SPLICER ASSEMBLY ALTERNATIVES

** Heavy Hex Nuts conforming to ASTM A 563, Grade C, D or DH may be used.

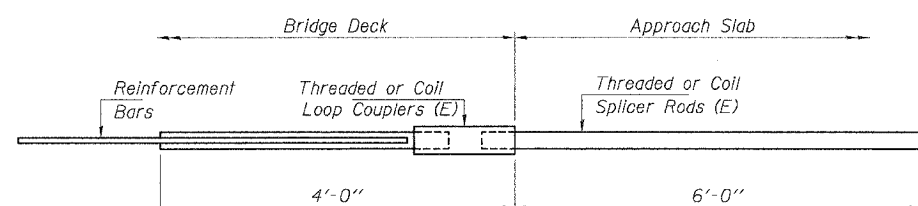
NOTES
 Bar splicer assemblies shall be of an approved type and shall develop in tension at least 125 percent of the yield strength of the lapped reinforcement bars.
 Splicer rods shall be of minimum 60 ksi yield strength, threaded or coiled full length.
 All reinforcement bars shall be lapped and tied to the splicer rods or dowel bars.
 Bar splicer assemblies shall be epoxy coated according to the requirements for reinforcement bars.
 Other systems of similar design may be submitted to the Engineer for approval. Approval shall be based on certified test results from an approved testing laboratory that the proposed bar splicer assembly satisfies the following requirements:

- Minimum Capacity = $1.25 \times f_y \times A_t$
(Tension in kips)
- Minimum *Pull-out Strength = $1.25 \times f_{s,allow} \times A_t$
(Tension in kips)

Where f_y = Yield strength of lapped reinforcement bars in ksi.
 $f_{s,allow}$ = Allowable tensile stress in lapped reinforcement bars in ksi (Service Load)
 A_t = Tensile stress area of lapped reinforcement bars.
 * = 28 day concrete

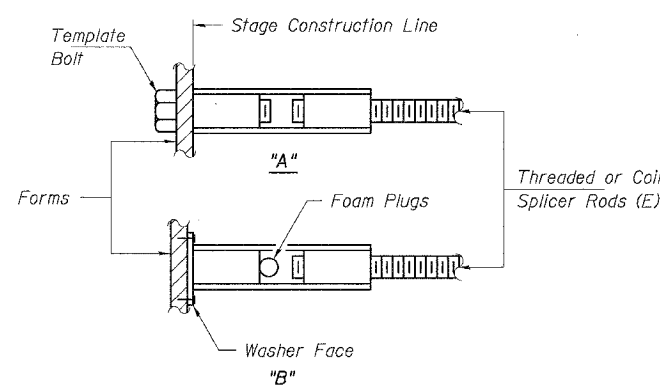
Bar Size to be Spliced	Splicer Rod or Dowel Bar Length	Strength Requirements	
		Min. Capacity kips - tension	Min. Pull-Out Strength kips - tension
#5	2'-0"	23.0	9.2
#6	2'-7"	33.1	13.3
#7	3'-5"	45.1	18.0
#8	4'-6"	58.9	23.6

Bar splicer assemblies shall be according to Section 508 of the Standard Specifications, except as noted. The furnishing and installation of bar splicer assemblies will be measured and paid for at the contract unit price each for "BAR SPLICERS."



**INTEGRAL ABUTMENT
 BAR SPLICER ASSEMBLY DETAIL
 FOR #6 BAR**

Min. Capacity = 33.1 kips - tension
Min. Pull-out Strength = 13.3 kips - tension
No. Required = 70



INSTALLATION AND SETTING METHODS

"A" : Set bar splicer assembly by means of a template bolt.
 "B" : Set bar splicer assembly by nailing to wood forms or cementing to steel forms.
 (E) : Indicates epoxy coating.

	Rice, Berry and Associates A Division of Hampton, Lenzi and Renwick, Inc. Civil & Structural Engineers 801 S. Durkin Drive Springfield, Illinois 62704 217-546-3400	BAR SPLICERS F.A.S. 1464 / C.H. 2 / DELAVAN ROAD SECTION 03-00028-03-BR TAZEWELL COUNTY STR. NO. 090-3241 / STATION 10+00
	Account Number 12-91-0012-1 Date: 05/03/04	
DESIGNED: T.P.L. CHECKED: S.W.M. DRAWN: D.B.		