

ROUTE NO.	SECTION	COUNTY	SHEET NO.	TOTAL SHEETS
T.R. 158	03-05123-00-BR	MOULTRIE	13	2
FED. ROAD DIST. NO.	ILLINOIS	FED. AID PROJECT		

CONTRACT NO. 91318

SUMMARY OF QUANTITIES			
CODE NO	ITEM	CONSTRUCTION CODE	
		UNIT	QUANTITY
20200100	EARTH EXCAVATION	CU YD	375
20300300	CHANNEL EXCAVATION	CU YD	60
20400800	FURNISHED EXCAVATION	CU YD	1,130
20900320	POROUS GRANULAR BACKFILL, SPECIAL	TON	1,155
25001000	SEEDING CLASS 2, SPECIAL	ACRE	0.4
28000300	TEMPORARY DITCH CHECKS	EACH	3
28100207	STONE RIPRAP, CLASS A4	TON	145
40200800	AGGREGATE SURFACE COURSE, TYPE B	TON	510
50100100	REMOVAL OF EXISTING STRUCTURES	EACH	1
50300225	CONCRETE STRUCTURES	CU YD	34.0
50800105	REINFORCEMENT BARS	POUND	2,820
50900205	STEEL RAILING, TYPE S1	FOOT	50
51500100	NAME PLATES	EACH	1
542D0220	PIPE CULVERTS, CLASS D, TYPE 1 15" (P.G.C.S.C.P.)	FOOT	230
542D0223	PIPE CULVERTS, CLASS D, TYPE 1 18" (P.G.C.S.C.P.)	FOOT	52
XX006062	THREE SIDED PRECAST CONCRETE STRUCTURE 24' X 10'	FOOT	52

SEE SPECIAL PROVISIONS

**GENERAL NOTES**

ALL CONSTRUCTION SHALL BE DONE IN ACCORDANCE WITH THE STATE OF ILLINOIS "STANDARD SPECIFICATIONS FOR ROAD AND BRIDGE CONSTRUCTION, ADOPTED JANUARY 1, 2002," THESE PLANS AND THE SPECIAL PROVISIONS INCLUDED IN THE CONTRACT DOCUMENTS.

ALL CLEARING AND GRUBBING AND REMOVAL OF EXISTING DRAINAGE STRUCTURES SHALL BE CONSIDERED INCIDENTAL TO EARTH EXCAVATION. THE REMOVAL OF THE EXISTING BITUMINOUS SURFACE WILL BE PAID FOR AS EARTH EXCAVATION. ALL BITUMINOUS MATERIAL SHALL BE PROPERLY DISPOSED OF BY THE CONTRACTOR IN A METHOD APPROVED BY THE ENGINEER. PROPER DISPOSAL OF BITUMINOUS MATERIAL SHALL BE CONSIDERED INCIDENTAL TO EARTH EXCAVATION AND NO ADDITIONAL COMPENSATION WILL BE ALLOWED.

THE LOCATIONS OF EXISTING GAS MAINS, ELECTRIC POWER LINES, TELEPHONE LINES AND OTHER UTILITIES AS SHOWN ON THE PLANS ARE BASED ON CAREFUL FIELD INVESTIGATION AND THE BEST INFORMATION AVAILABLE, BUT THE LOCATIONS ARE NOT GUARANTEED. IT SHALL BE THE CONTRACTOR'S RESPONSIBILITY TO ASCERTAIN THEIR EXACT LOCATION FROM THE INDIVIDUAL UTILITY COMPANIES AND BY FIELD INSPECTION.

WHERE SECTION OR SUBSECTION MONUMENTS ARE ENCOUNTERED, THE ENGINEER SHALL BE NOTIFIED BEFORE SUCH MONUMENTS ARE REMOVED. THE CONTRACTOR SHALL PROTECT AND CAREFULLY PRESERVE ALL PROPERTY MARKS AND MONUMENTS UNTIL THE OWNER, AN AUTHORIZED SURVEYOR OR AGENT HAS WITNESSED OR OTHERWISE REFERENCED THEIR LOCATION.

THE AREA TO BE SEEDED SHALL CONSIST OF ALL DISTURBED EARTH SURFACES WITHIN THE RIGHT-OF-WAY AS DIRECTED BY THE ENGINEER.

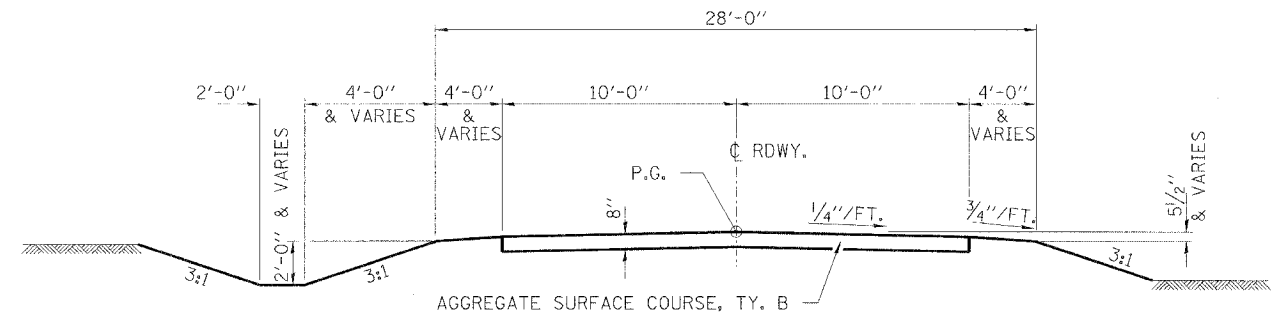
**SEEDING, CLASS 2 (SPECIAL) = 0.4 ACRES**

THE FOLLOWING RATES OF APPLICATION HAVE BEEN USED IN CALCULATING PLAN QUANTITIES:

POROUS GRANULAR BACKFILL	2.0 TON/CU YD
AGGREGATE SURFACE COURSE	2.05 TON/CU YD
STONE RIPRAP, CLASS A4	1.75 TON/CU YD

EARTHWORK SCHEDULE						
LOCATION	EARTH EXCAVATION (CU YD)	SHRINKAGE FACTOR	PERCENT USED	AVAILABLE* EXCAVATION (CU YD)	EMBANKMENT REQUIRED (CU YD)	EARTHWORK BALANCE (CU YD)
STA. 7+50 TO STA. 9+86.26	199	25%	100%	149	575	-426
STA. 9+86.26 TO STA. 10+15.74	-	25%	100%	-	-	-
STA. 10+15.74 TO STA. 12+50	174	25%	100%	131	626	-495
CHANNEL EXCAVATION	60	25%	70%	32		32
ENTRANCES					240	-240
TOTAL	373			312	1,441	-1,129
USE:	375					1,130

\* AVAILABLE EXCAVATION = EXC. x (1-SHRINKAGE FACTOR) x % USED



SUGGESTED CUT SECTION  
CONSTRUCT AS SHOWN IN  
STATION CROSS SECTIONS

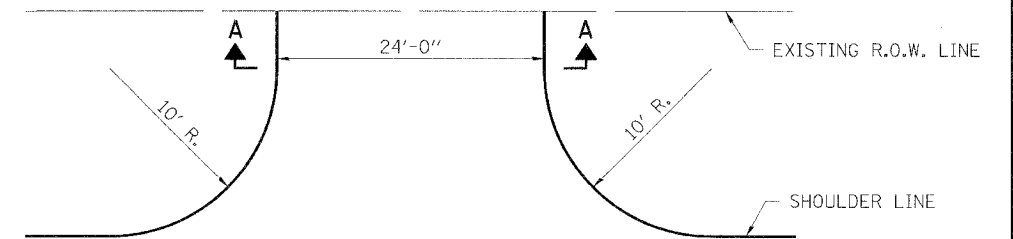
SUGGESTED FILL SECTION  
CONSTRUCT AS SHOWN IN  
STATION CROSS SECTIONS

ROAD CLASSIFICATION - LOCAL ROAD ADT 0-250  
CURRENT ADT 0-150  
DESIGN SPEED: 30 M.P.H.

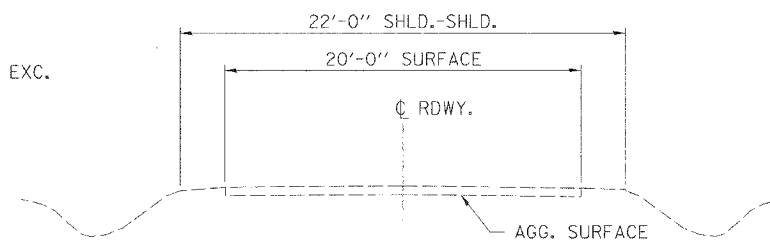
**TYPICAL CROSS SECTION**

STATION 8+00 TO STATION 12+00

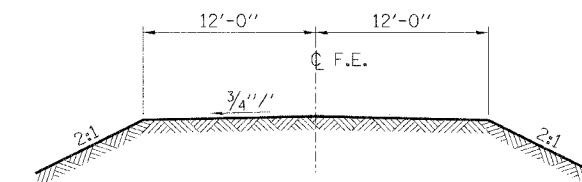
TRANSITION FROM THE PROPOSED ROADWAY TO THE EXISTING ROADWAY IS TO BE CONSTRUCTED FROM STA. 7+50 TO STA. 8+00 AND FROM STA. 12+00 TO STA. 12+50.



**FIELD ENTRANCE DETAIL**



**EXISTING CROSS SECTION**



**SECTION A-A**

**HLR**  
Rice, Berry and Associates  
A Division of Hampton,  
Lenzini and Renwick, Inc.  
Civil & Structural Engineers  
801 S. Durkin Drive  
Springfield, Illinois 62704  
217-546-3400  
P.O. Box 1036  
DuQuoin, Illinois 62832  
618-790-4637  
Account Number 12-T2-0016-1  
Date: 11/01/04  
DESIGNED: T.P.L. CHECKED: M.G.B. DRAWN: D.T.M.

**SUMMARY OF QUANTITIES AND TYPICAL SECTIONS**

SECTION 03-05123-00-BR  
LOWE ROAD DISTRICT  
MOULTRIE COUNTY