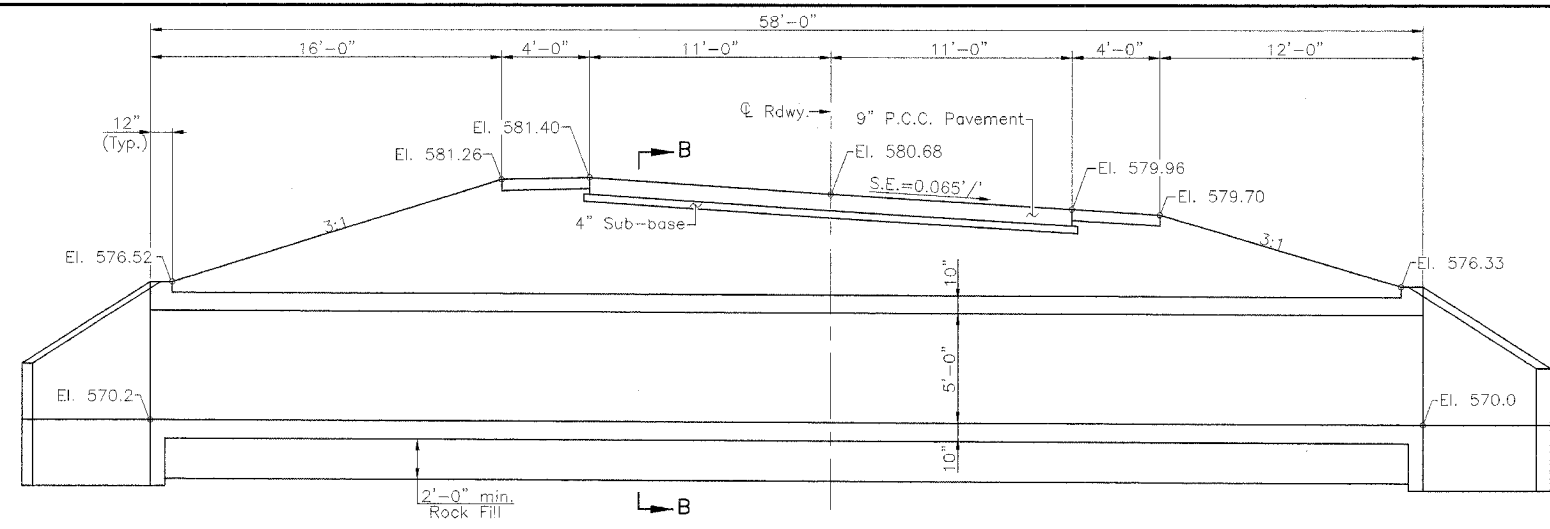
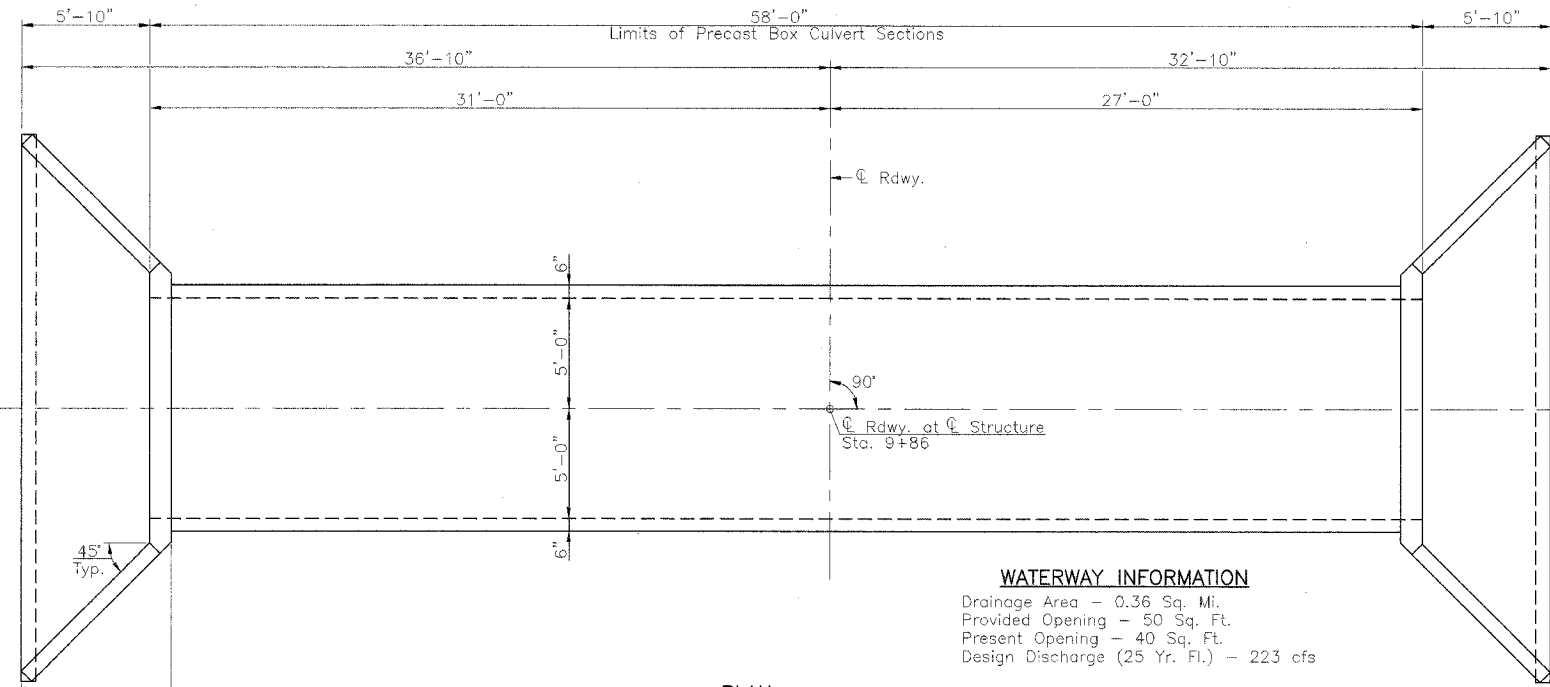


RTE.	SECTION	COUNTY	TOTAL SHEETS	SHEET NO.
C.H. 11	*	MENARD	44	7
PROJECT 98-565(110)				
* 98-00047-00-RS				



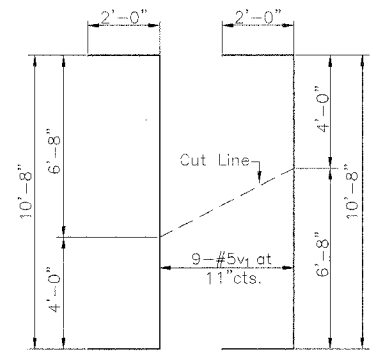
ELEVATION



PLAN

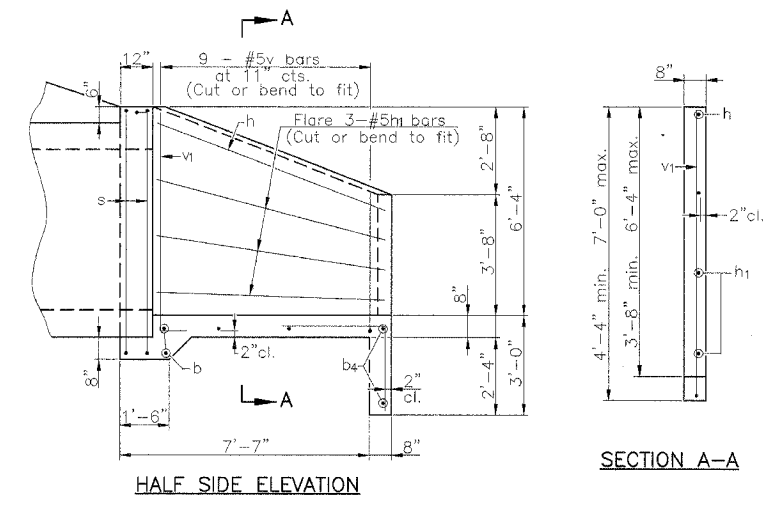
WATERWAY INFORMATION

Drainage Area - 0.36 Sq. Mi.
 Provided Opening - 50 Sq. Ft.
 Present Opening - 40 Sq. Ft.
 Design Discharge (25 Yr. Fl.) - 223 cfs



v1 BAR CUT DIAGRAM

Order v1 bars full length. Layout in field according to diagram. Cut v1 bars along cut line. Use remainder of each bar in opposite wing.



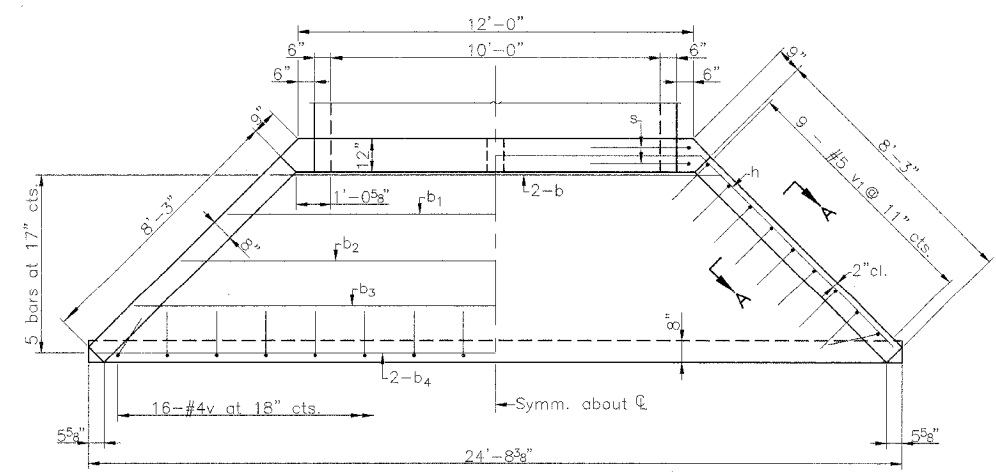
HALF SIDE ELEVATION

SECTION A-A

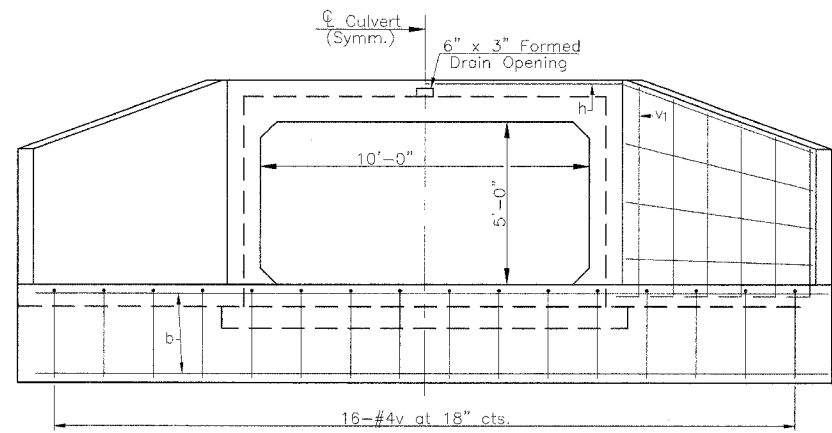
**CULVERT NO. 1
 TWO END SECTIONS
 BILL OF MATERIAL**

BAR	NO.	SIZE	LENGTH	SHAPE	
b	4	#5	11'-8"	—	
b1	2	#4	14'-10"	—	
b2	2	#4	18'-0"	—	
b3	2	#4	21'-2"	—	
b4	4	#4	24'-4"	—	
h	2	#5	27'-6"	∩	
h1	12	#5	7'-11"	—	
s	4	#4	37'-5"	□	
v	32	#5	5'-4"	⌊	
v1	18	#5	14'-8"	⌊	
* Class S1 Concrete				Cu. Yd.	14.0
* Reinforcement Bars				Pound	895
Precast Concrete Box Culvert 10'x5'(M273)				Foot	58
Rock Fill				Ton	122
Porous Granular Backfill				Cu. Yd.	213
Box Culvert End Sections Culvert No. 1				Each	2
Removal of Existing Structures No. 1				Each	1

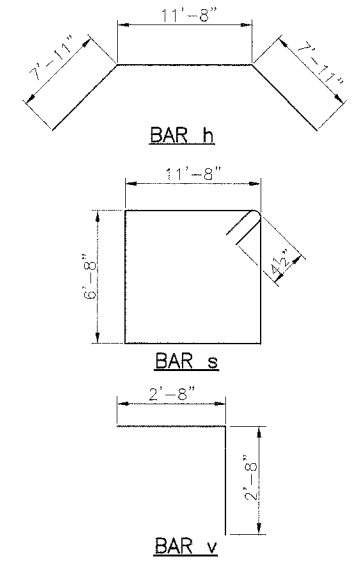
* Information Only



END SECTION PLAN



END SECTION ELEVATION



CROSS ROAD CULVERT DETAILS (STA. 9+86)
 F.A.S. 565 - QUARRY ROAD (C.H. 11)
 SECTION 98-00047-00-RS
 MENARD COUNTY