

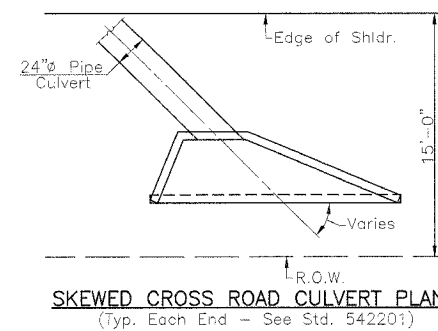
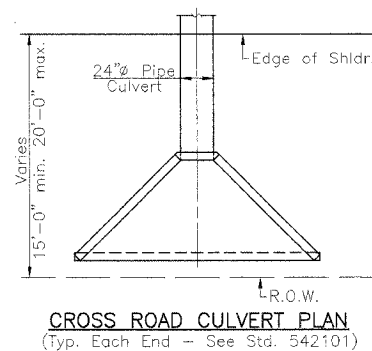
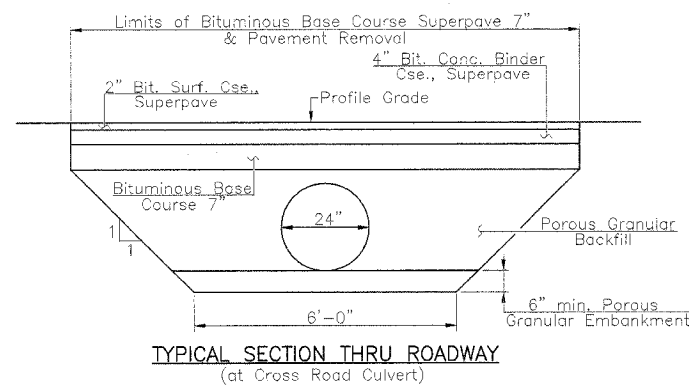
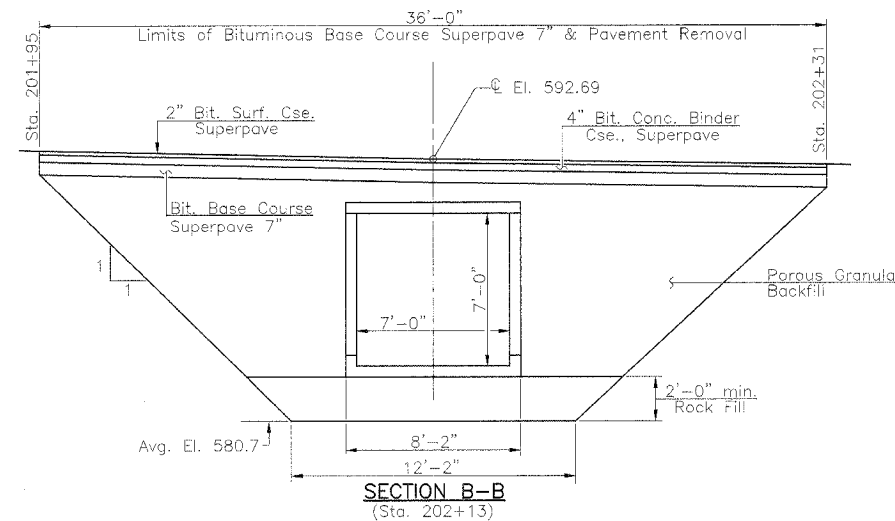
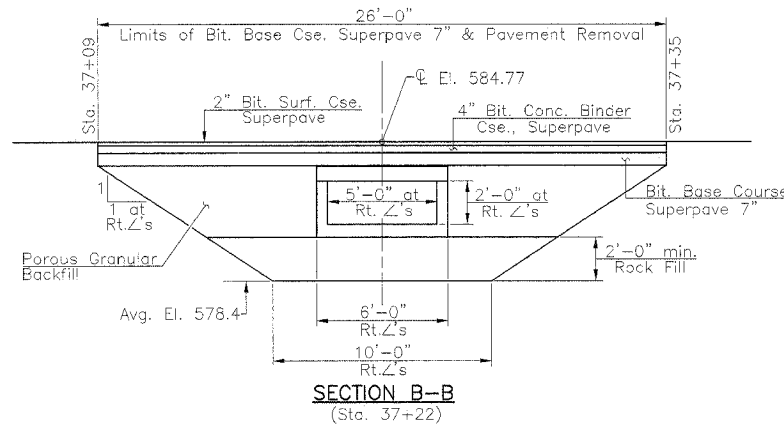
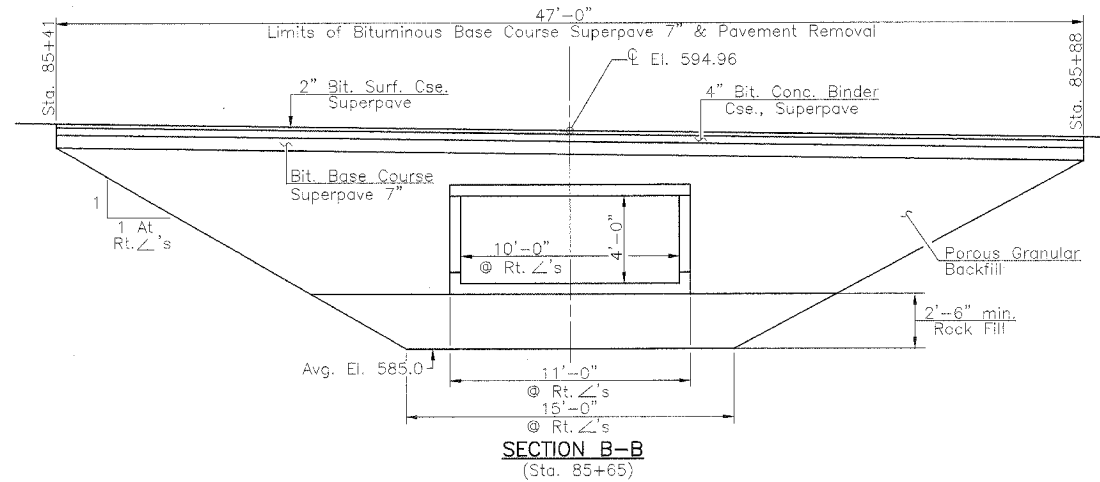
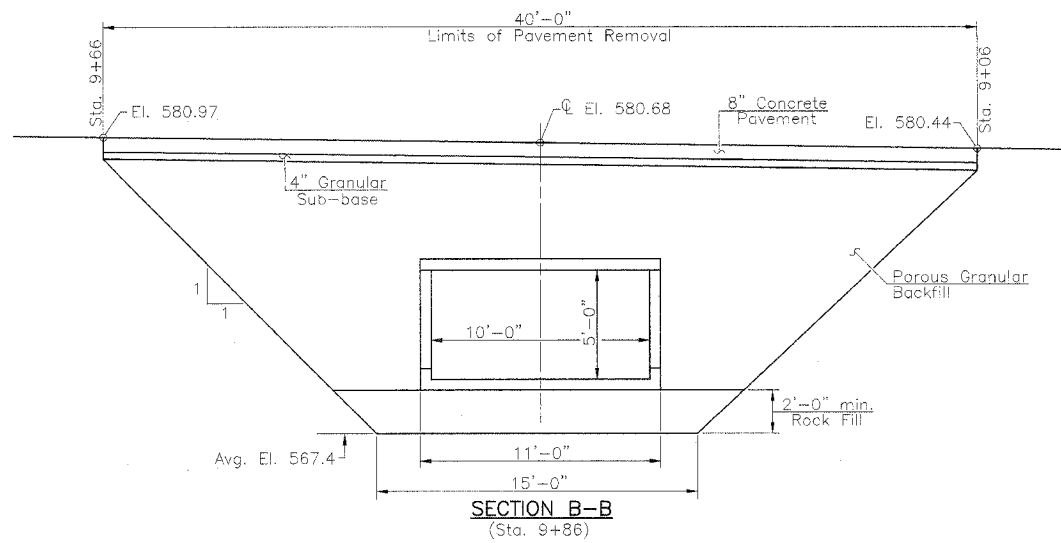
RTE.	SECTION	COUNTY	TOTAL SHEETS	SHEET NO.
C.H. 11	*	MENARD	44	13
PROJECT SR-565(110)				

* 98-00047-00-RS

**SCHEDULE
CROSS ROAD CULVERTS**

Location	Bit. Base Course Limits	Pavement Removal (Sq. Yd.)	Bit. Base Course 7" (Sq. Yd.)	Porous Gran. Backfill (Cu. Yd.)	Porous Gran. Embankment (Ton)	Pipe Culverts Class D, Type 1, 24" (Foot)	Pipe Culverts Class D, Type 2, 24" (Foot)	*Skew	End Sections		
									No. (Each)	Concrete (Cu. Yd.)	Reinforcement Bars (Pound)
Sta. 13+55	N.A.	N.A.	N.A.	49	9	44		15'	2	3.2	100
Sta. 22+15	N.A.	N.A.	N.A.	58	10	50		0'	2	2.0	70
Sta. 199+75	N.A.	N.A.	N.A.	N.A.			10	0'	2	2.0	70
Sta. 208+46	Sta. 208+39 to Sta. 208+53	35	35	34	10			0'	1	1.0	35
Sta. 101+84	Sta. 101+77 to Sta. 101+91	35	35	39	10	52		15'	1	1.6	50
Sta. 111+84	Sta. 111+78 to Sta. 111+90	30	30	18	9	40		0'	2	2.0	70
Sta. 124+71	Sta. 124+64.5 to Sta. 124+72.5	32	32	22	9	40		0'	2	2.0	70
Sta. 133+33	Sta. 133+25 to Sta. 133+37 (T.R. 164)	30	30	8	10	58		0'	2	2.0	70
Sta. 133+64	Sta. 133+56 to Sta. 133+68 (C.H. 11)	30	30	12	7	36		10'	2	3.0	100
Total		192	192	240	74	320	160'		16	18.8	635

* For culverts at 0° Skew refer to Standard 542101 for dimensions and bar information.
For culverts of any skew greater than 0° refer to Standard 542201 for dimensions and bar information. All wings at 1:2 slope.



CROSS ROAD CULVERT DETAILS
F.A.S. 565 - QUARRY ROAD (C.H. 11)
SECTION 98-00047-00-RS
MENARD COUNTY