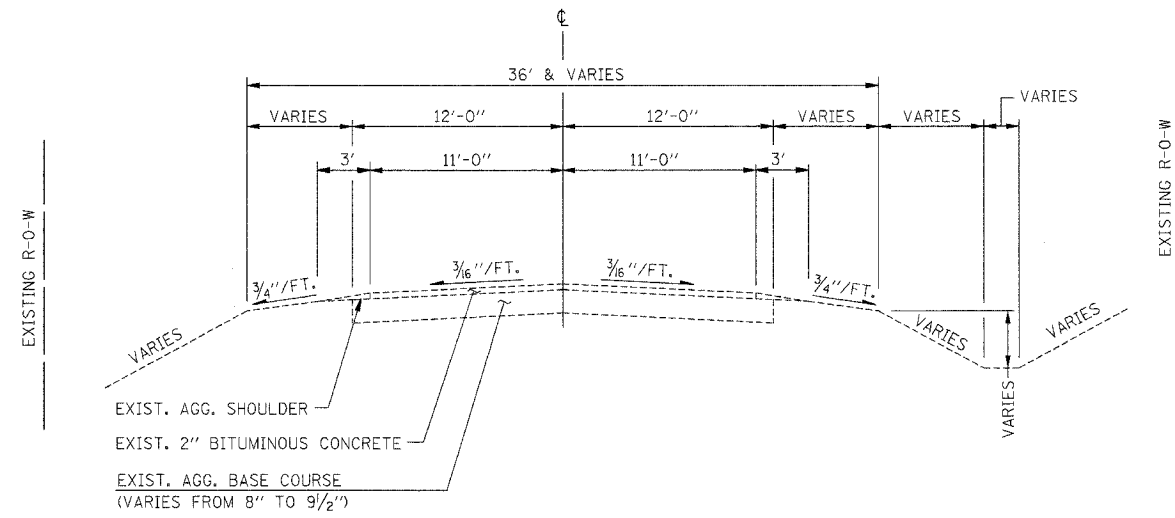
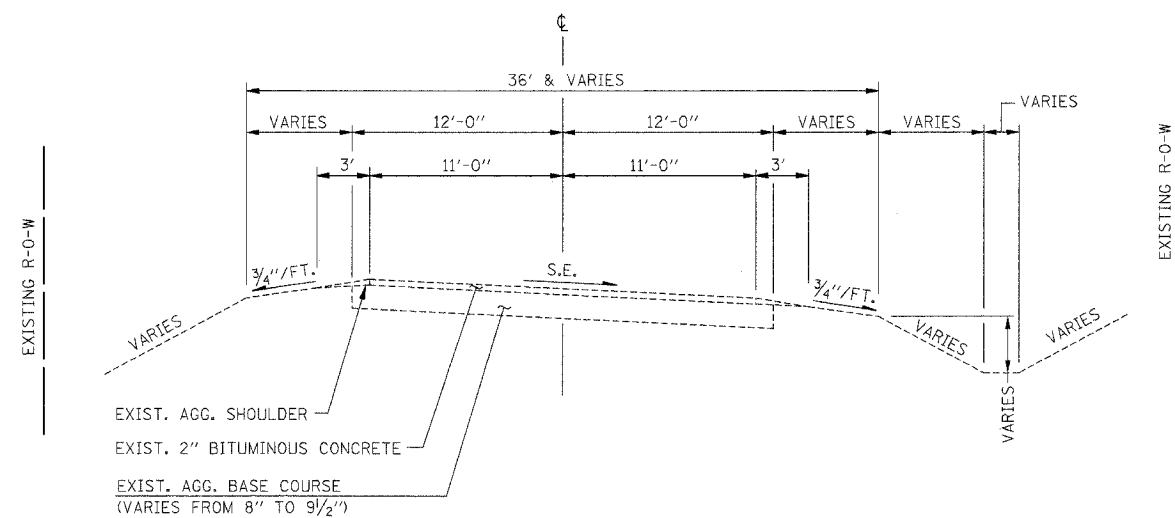


F.A.S. RTE.	SECTION	COUNTY	TOTAL SHEETS	SHEET NO.
601	(*)	PIKE	51	9
STA.		TO STA.		
FED. ROAD DIST. NO.	ILLINOIS	FED. AID PROJECT		

(*) 02-00077-00-RS



EXISTING TYPICAL SECTION (TANGENT)



EXISTING TYPICAL SECTION (SUPERELEVATED)

FILE: G:\S03012\CAD\90121901.DGN 12/10/03 10:59:37 AM

ie INTERNATIONAL ENGINEERING CONSULTANTS, INC.
 6420 SOUTH SIXTH STREET
 SPRINGFIELD, ILLINOIS 62707
 TEL. (217) 528-8027
 FAX (217) 528-4643
 IESPRINGFIELD@IE-CONSULTANTS.COM
 WWW.IE-CONSULTANTS.COM

TYPICAL SECTIONS

DRAWN BY: RG	CHECKED BY: CMS	DATE: 12-10-03	PROJECT: S03012
-----------------	--------------------	-------------------	--------------------