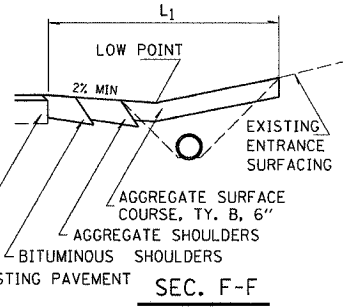
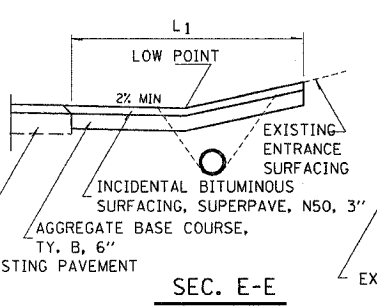
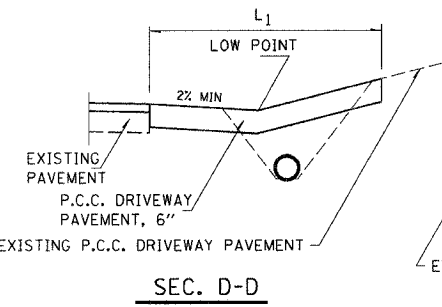
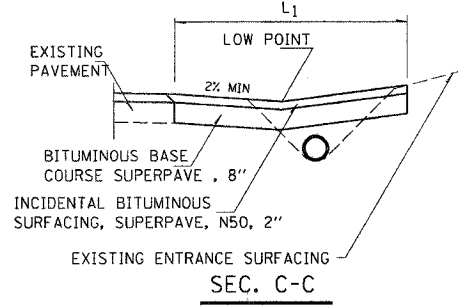
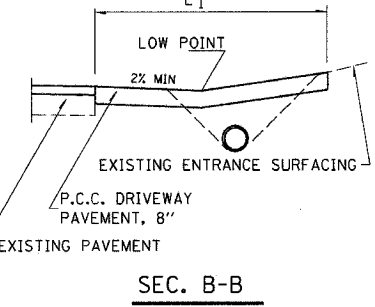
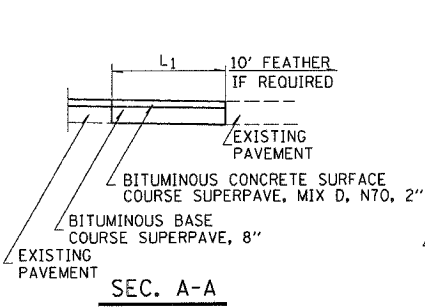
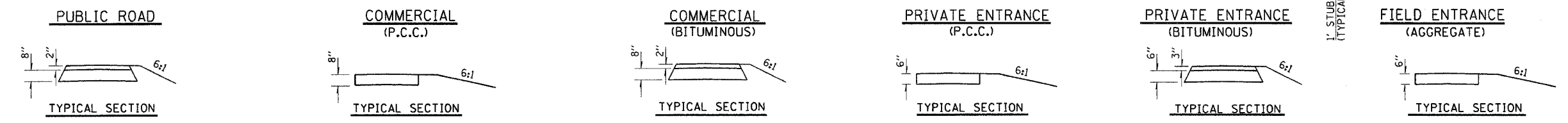
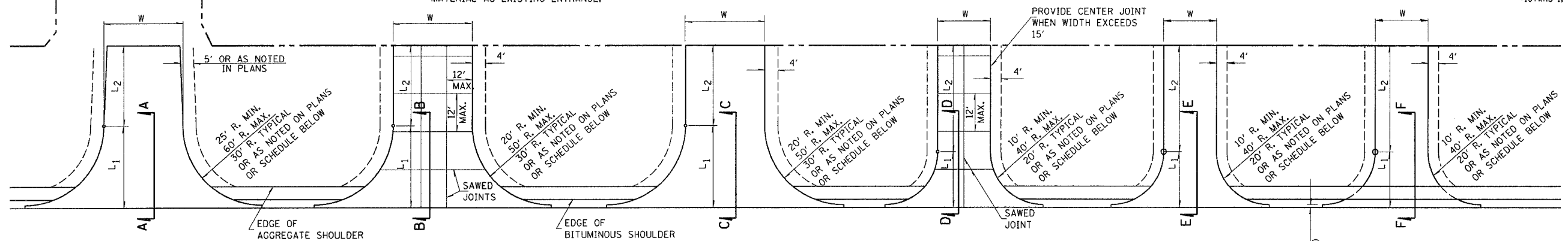


L₁ = DISTANCE FROM EDGE OF PAVEMENT TO RADIUS POINT OR MAX. DISTANCE 30'
L₂ = DISTANCE FROM RADIUS POINT OR MAX. DISTANCE 30' OFF EDGE OF PAVEMENT TO R.O.W. LINE.
NOTE: MATERIAL USED TO CONSTRUCT L₂ LENGTH SHALL BE OF THE SAME TYPE OF MATERIAL AS EXISTING ENTRANCE.



PUBLIC ROAD SCHEDULE

EXIST SURFACE	SIDE/STATION	WIDTH	LENGTH		RADIUS	AGGREGATE BASE COURSE TYPE B TON	BITUMINOUS BASE COURSE SUPERPAVE, 8" SO. YD.	AGGREGATE SURFACE COURSE TYPE B TON	INCID. BIT. SURFACING, SUPERPAVE TON	P.C.C. DRIVEWAY PAV/T		BIT. CONCRETE SURFACE COURSE SUPERPAVE, MIX D, N70 TON	TEMPORARY ACCESS (ROAD) EACH
			L ₁	L ₂						6"	8"		
O&C	1700TH AVE RT/544+65.39	-	-	-	-	-	152	-	-	-	-	17	1
O&C	1700TH AVE LT/544+65.39	-	-	-	-	-	435	-	-	-	-	48	1
BIT	IL RTE 32 LT/551+74.79	②	-	-	-	-	-	-	-	-	-	-	1
O&C	1000TH ST LT/896+43.01	-	-	-	-	-	529	-	-	-	-	59	1
BIT	LAKE SARA RD RT/896+48.57	①	-	-	-	-	-	-	-	-	-	-	1
O&C	STONERIDGE DR LT/913+90.65	-	-	-	-	-	273	-	-	-	-	31	1
O&C	1075TH ST LT/940+77.10	-	-	-	-	-	389	-	-	-	-	44	1
O&C	NAZARENE RD RT/955+28.27	①	-	-	-	-	-	-	-	-	-	-	1
O&C	WEBB ST LT/958+10.00	-	-	-	-	-	427	-	-	-	-	48	1
O&C	BRIARWOOD DR LT/969+63.16	-	-	-	-	-	293	-	-	-	-	33	1
O&C	LYNN ACRES DR RT/974+61.71	-	-	-	-	-	316	-	-	-	-	35	1
O&C	CTRY ESTS RD LT/977+46.69	-	-	-	-	-	214	-	-	-	-	24	1
BIT	LEPRECHAUN LN LT/982+15.24	-	-	-	-	-	122	-	-	-	-	14	1

PUBLIC ROAD SCHEDULE

EXIST SURFACE	SIDE/STATION	WIDTH	LENGTH		RADIUS	AGGREGATE BASE COURSE TYPE B TON	BITUMINOUS BASE COURSE SUPERPAVE, 8" SO. YD.	AGGREGATE SURFACE COURSE TYPE B TON	INCID. BIT. SURFACING, SUPERPAVE TON	P.C.C. DRIVEWAY PAV/T		BIT. CONCRETE SURFACE COURSE SUPERPAVE, MIX D, N70 TON	TEMPORARY ACCESS (ROAD) EACH
			L ₁	L ₂						6"	8"		
BIT	IRISH HILL RT/991+30.47	-	-	-	-	-	238	-	-	-	-	27	1
O&C	WBSH RIVER HILL RT/991+35.27	-	-	-	-	-	463	-	-	-	-	52	1
BIT	1200TH ST LT/1015+03.93	-	-	-	-	-	152	-	-	-	-	17	1
O&C	LAKE RD LT/1023+77.06	-	-	-	-	-	226	-	-	-	-	25	1
O&C	WOOD BIRD DR RT/1037+50.00	-	-	-	-	-	123	-	-	-	-	14	1
CONC	FORD AVE RT/42+30.86	-	-	-	-	-	503	-	-	-	-	56	1
AGG	UNNAMED RD LT/218+22.91	-	-	-	-	-	90	-	-	-	-	10	1
O&C	1700TH AVE LT/52+00.09	-	-	-	-	-	249	-	-	-	-	28	1
O&C	1700TH AVE RT/52+00.09	-	-	-	-	-	253	-	-	-	-	28	1

NOTE:
FOR GEOMETRY OF PUBLIC ROAD RETURNS, SEE INTERSECTION GEOMETRIC DETAILS.

① AT LAKE SARA RD AND NAZARENE RD: RETURN NOT REBUILT. EXISTING ROAD WIDENED. SEE "SCHEDULE OF QUANTITIES"

② AT IL RTE 32: SEE "SCHEDULE OF QUANTITIES" FOR RADIUS RETURN QUANTITY.

REVISIONS	
NAME	DATE

ILLINOIS DEPARTMENT OF TRANSPORTATION

RURAL ENTRANCE DETAILS & SCHEDULES SHEET 2 OF 2

DATE 8/02

DRAWN BY DIST 7
CHECKED BY BWC

DGN-SPEC
DATE