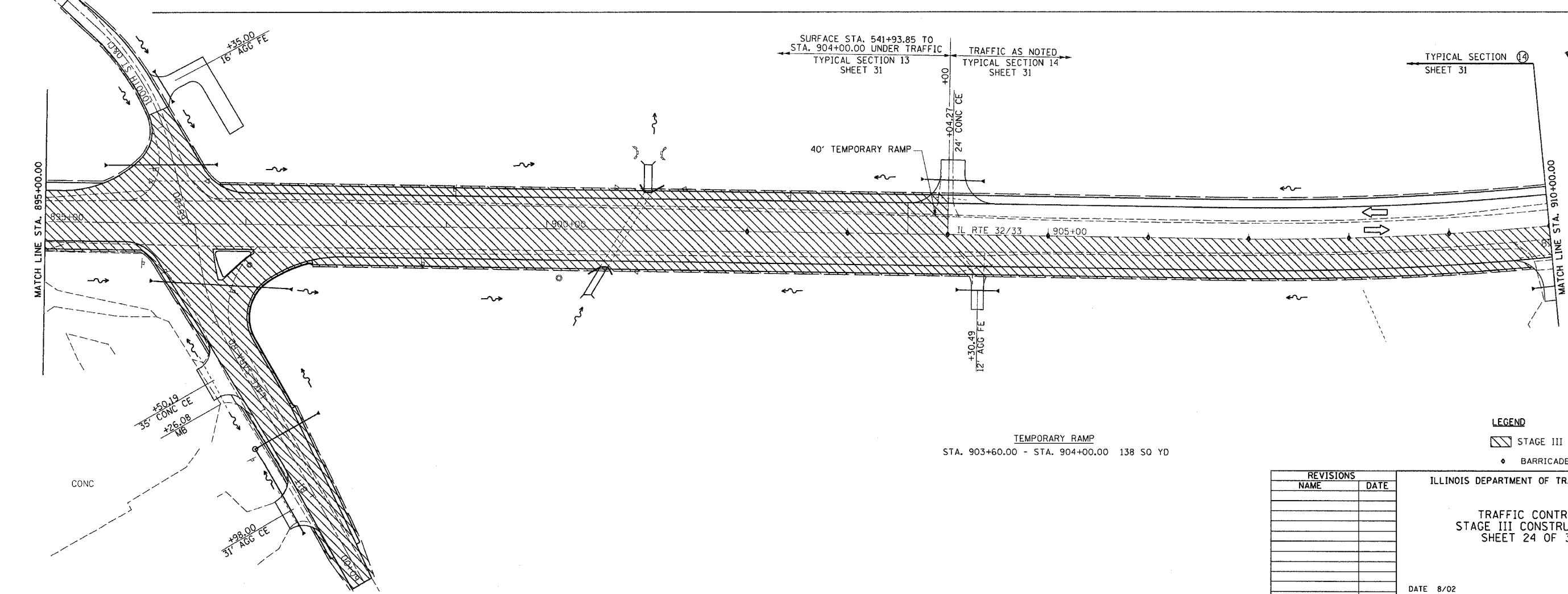
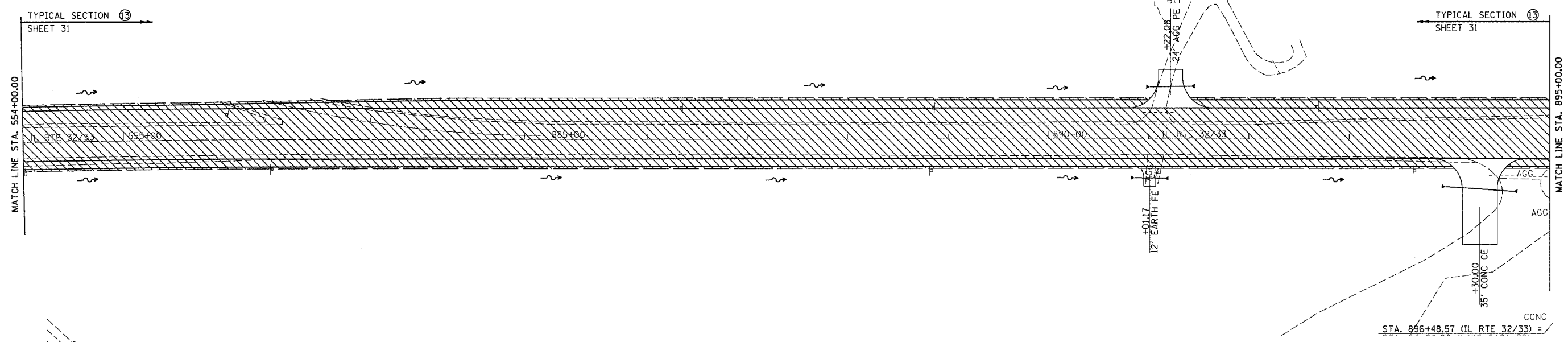
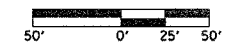


F.A.P. RTE.	SECTION	COUNTY	TOTAL SHEETS	SHEET NO.
774	.	EFFINGHAM	344	55
FED. ROAD DIST. NO. 7		ILLINOIS	FED. AID PROJECT	
*107WRS-1, 107BY, 107BY-1 & 107B-2				

CONTRACT NO. 94827



**LEGEND**  
 STAGE III CONSTRUCTION  
 BARRICADES, TYPE II

REVISIONS	
NAME	DATE

ILLINOIS DEPARTMENT OF TRANSPORTATION  
 TRAFFIC CONTROL  
 STAGE III CONSTRUCTION  
 SHEET 24 OF 32  
 DATE 8/02  
 DRAWN BY ASB  
 CHECKED BY RDW