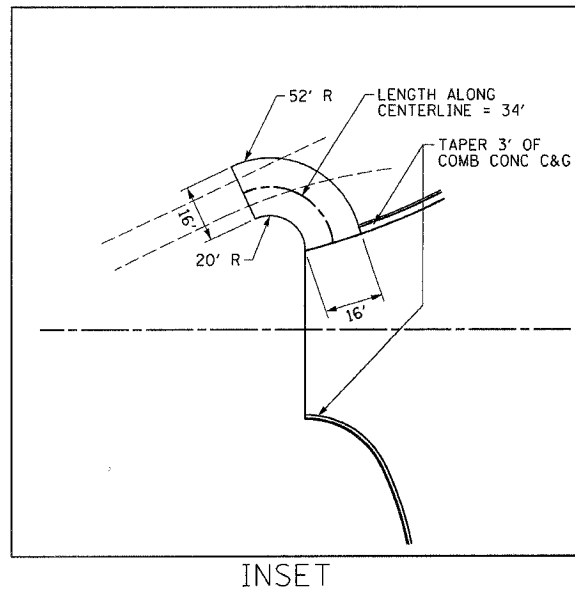
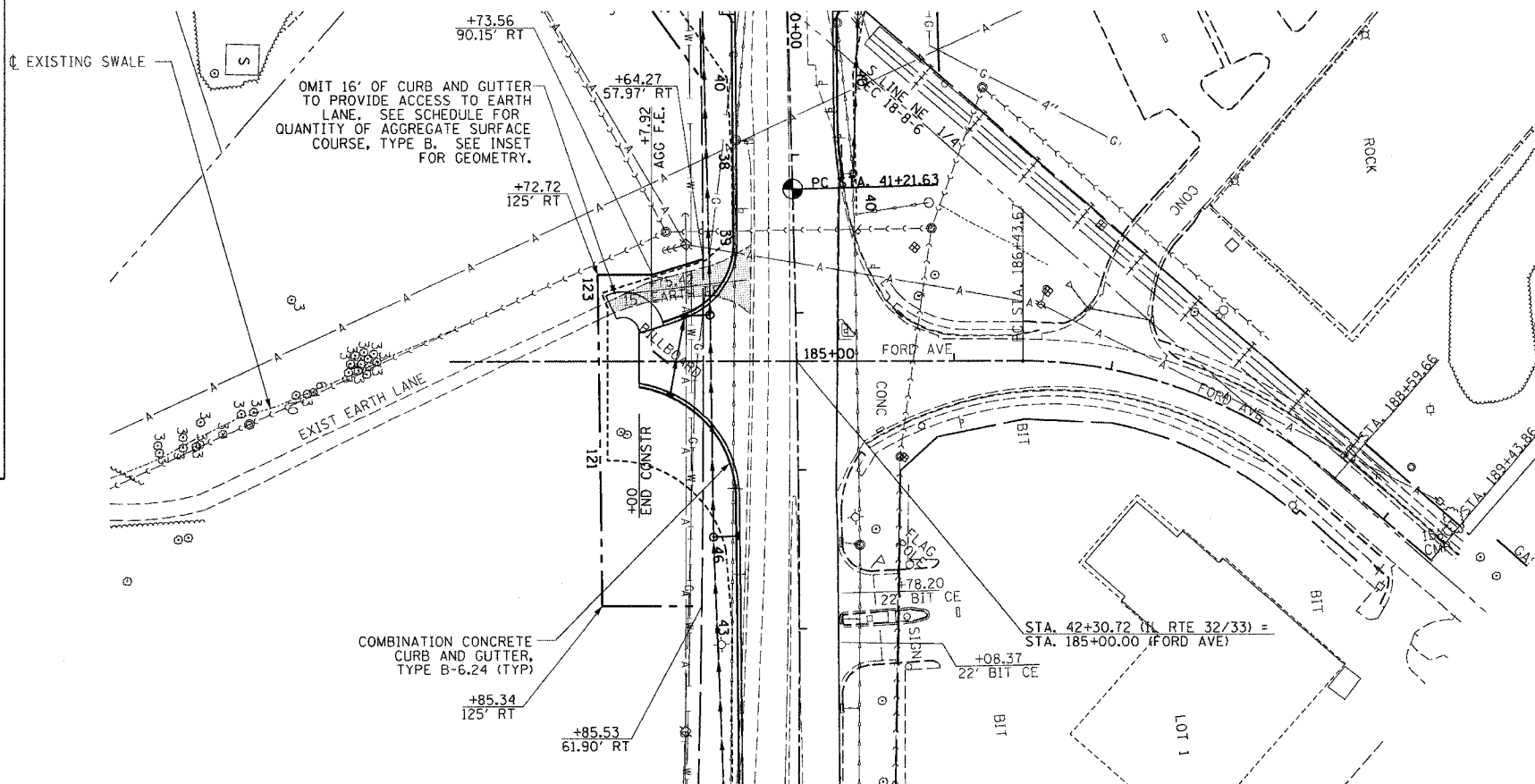


DATE \_\_\_\_\_ BY \_\_\_\_\_  
 SURVEYED \_\_\_\_\_  
 PLOTTED \_\_\_\_\_  
 CHECKED \_\_\_\_\_  
 REVISIONS \_\_\_\_\_  
 FILE NO. \_\_\_\_\_



INSET



PROP CURVE C13  
 PI STA. = 187+56.58  
 $\Delta = 41^\circ 14' 58''$  (RT)  
 $D = 19^\circ 05' 55''$   
 $R = 300.00'$   
 $T = 112.91'$   
 $L = 215.98'$   
 $E = 20.54'$   
 $e = N/C$   
 P.C. STA. = 186+43.67  
 P.T. STA. = 188+59.66

FOR INTERSECTION GEOMETRICS  
 SEE SHEET 101

FOR STORM SEWER SCHEDULE  
 SEE SHEET 27

DATE \_\_\_\_\_ BY \_\_\_\_\_  
 SURVEYED \_\_\_\_\_  
 PLOTTED \_\_\_\_\_  
 CHECKED \_\_\_\_\_  
 REVISIONS \_\_\_\_\_  
 FILE NO. \_\_\_\_\_

