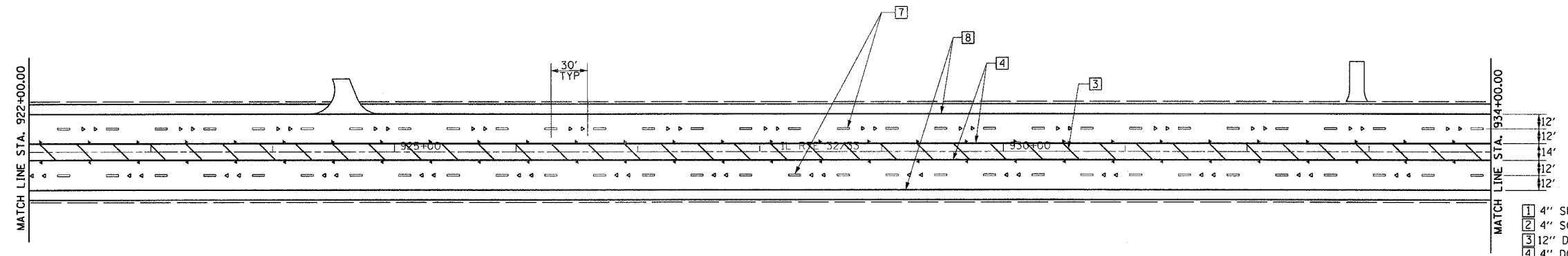
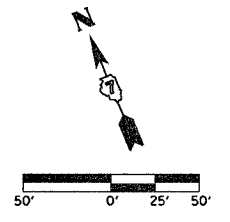
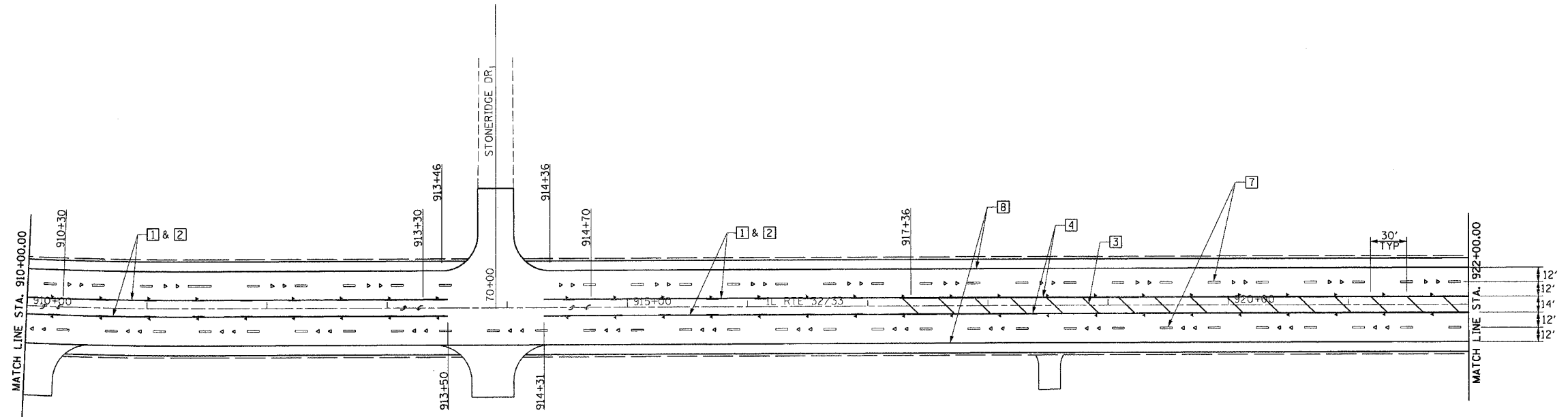


F.A.P. RTE.	SECTION	COUNTY	TOTAL SHEETS	SHEET NO.
774		EFFINGHAM	344	105
FED. ROAD DIST. NO. 7		ILLINOIS	FED. AID PROJECT	
•107WRS-1, 107BY, 107BY-1 & 107B-2				
CONTRACT NO. 94827				



LEGEND

- RAISED REFL PAVT MKR AMBER BIDIRECTIONAL
- RAISED REFL PAVT MKR AMBER MONODIRECTIONAL
- RAISED REFL PAVT MKR CRYSTAL BIDIRECTIONAL
- RAISED REFL PAVT MKR CRYSTAL MONODIRECTIONAL
- ITEM [4] DOUBLE YELLOW (NARROW)
- ITEM [5] DOUBLE YELLOW (WIDE)

TYPICAL PAVEMENT MARKING LEGEND

- | | |
|-----------------------------|-------------------------|
| [1] 4" SKIP-DASH YELLOW | [7] 6" SKIP-DASH WHITE |
| [2] 4" SOLID YELLOW | [8] 4" SOLID WHITE |
| [3] 12" DIAGONAL YELLOW | [9] 12" DIAGONAL WHITE |
| [4] 4" DOUBLE YELLOW NARROW | [10] 6" SOLID WHITE |
| [5] 4" DOUBLE YELLOW WIDE | [11] 24" STOP BAR WHITE |

REVISIONS	
NAME	DATE

ILLINOIS DEPARTMENT OF TRANSPORTATION

PAVEMENT MARKING PLAN
SHEET 4 OF 9

SEE STANDARDS 780001 & 781001 AND DISTRICT PAVEMENT MARKING DETAILS FOR ADDITIONAL DETAILS FOR PAVEMENT MARKING AND RAISED REFLECTIVE PAVEMENT MARKERS.

DATE 8/02
DRAWN BY ASB
CHECKED BY SJK