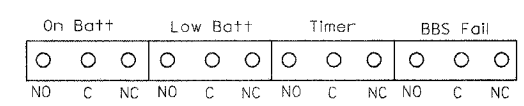
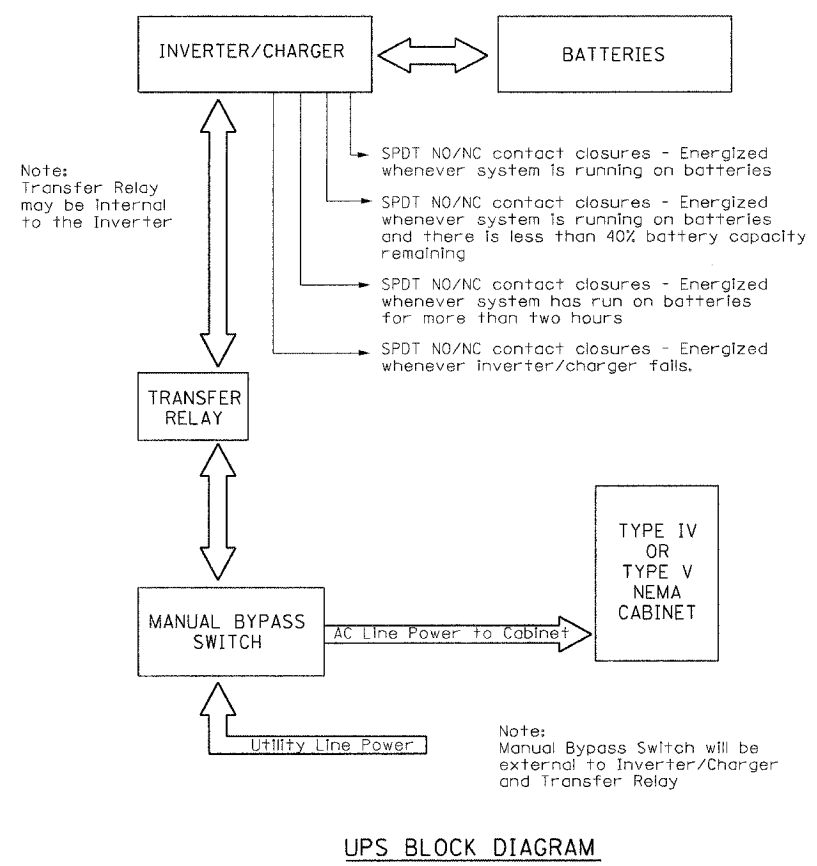
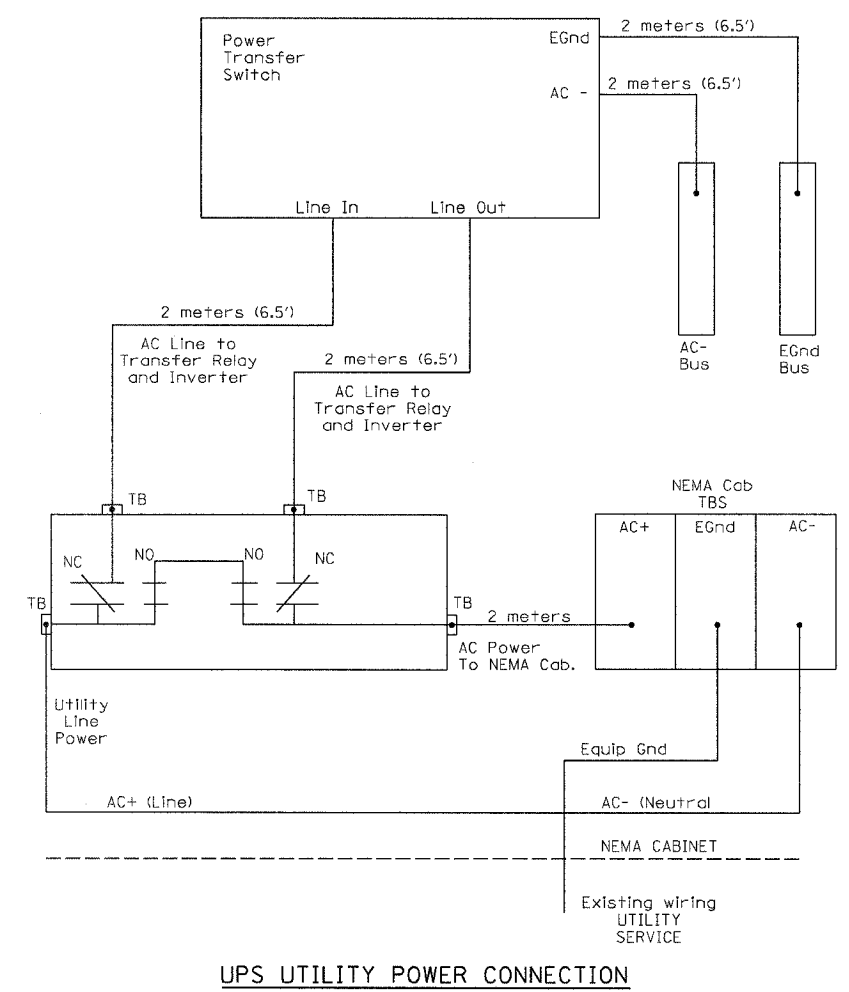


- Notes:
1. TB - #8 Terminal Blocks
 2. NO - Normally Open
 3. NC - Normally Closed
 4. NO/NC contacts shall all toggle simultaneously with one single manually operated switch.
 5. Manual Bypass Switch shall only switch line. Neutral and Equipment Ground are not switched and shall be connected to NEMA Cabinet Buses.



- Notes:
1. NO/NC contacts may either share or use separate commons.



REVISIONS	
NAME	DATE

ILLINOIS DEPARTMENT OF TRANSPORTATION

FORD AVENUE
TRAFFIC SIGNAL PLANS
SHEET 3 OF 4

DATE 8/02

DRAWN BY MLO
CHECKED BY BWD