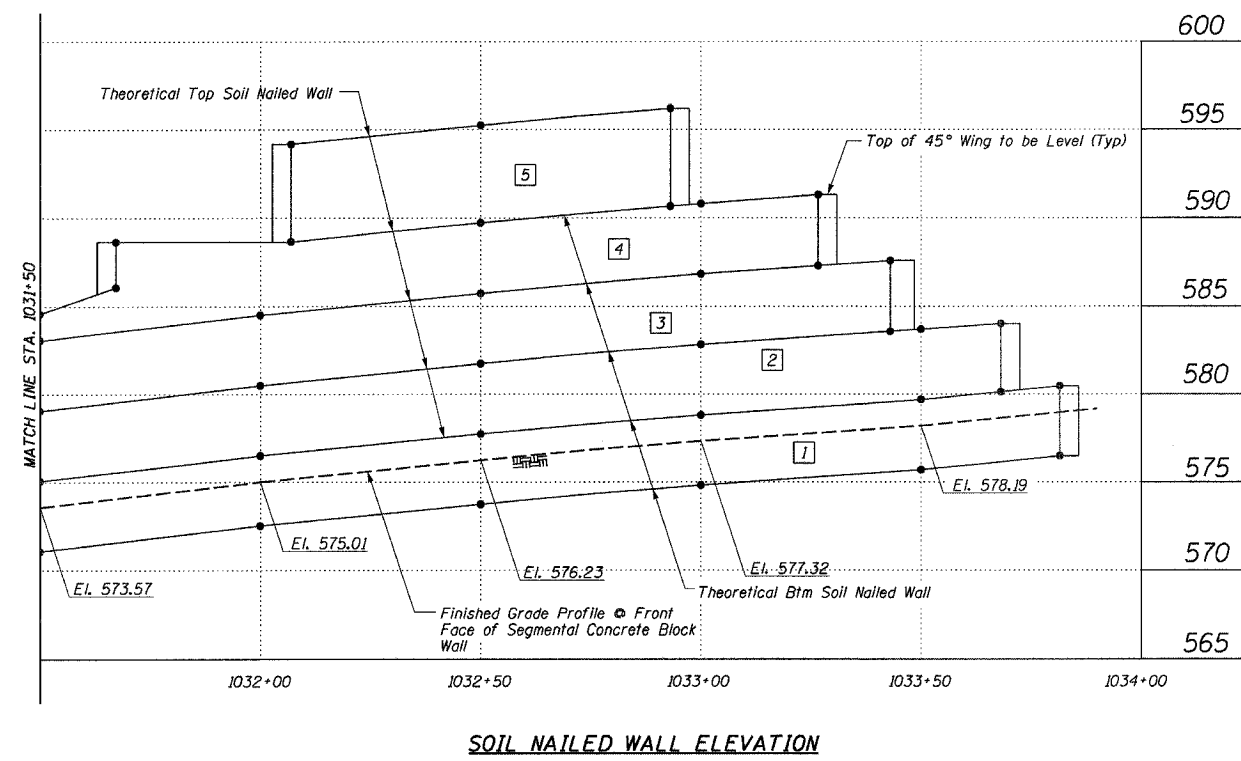
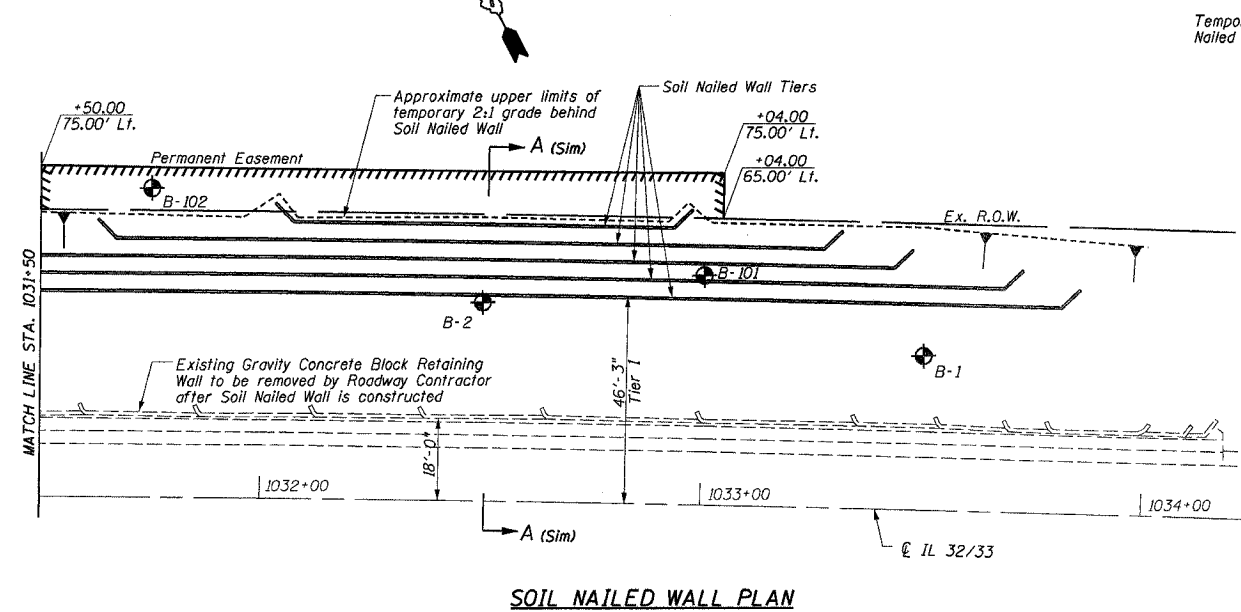


F.A.P. RTE.	SECTION	COUNTY	TOTAL SHEETS	SHEET NO.
774		EFFINGHAM	344	122

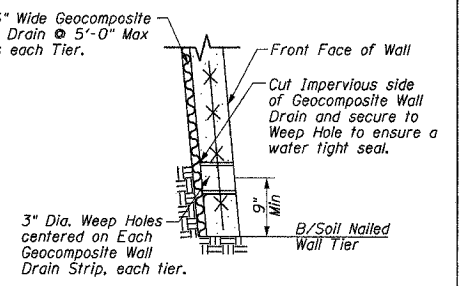
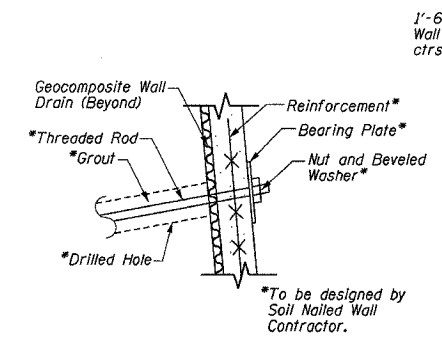
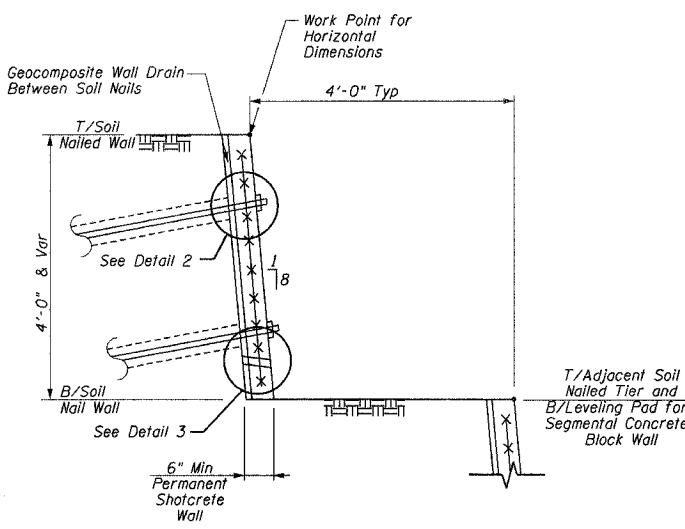
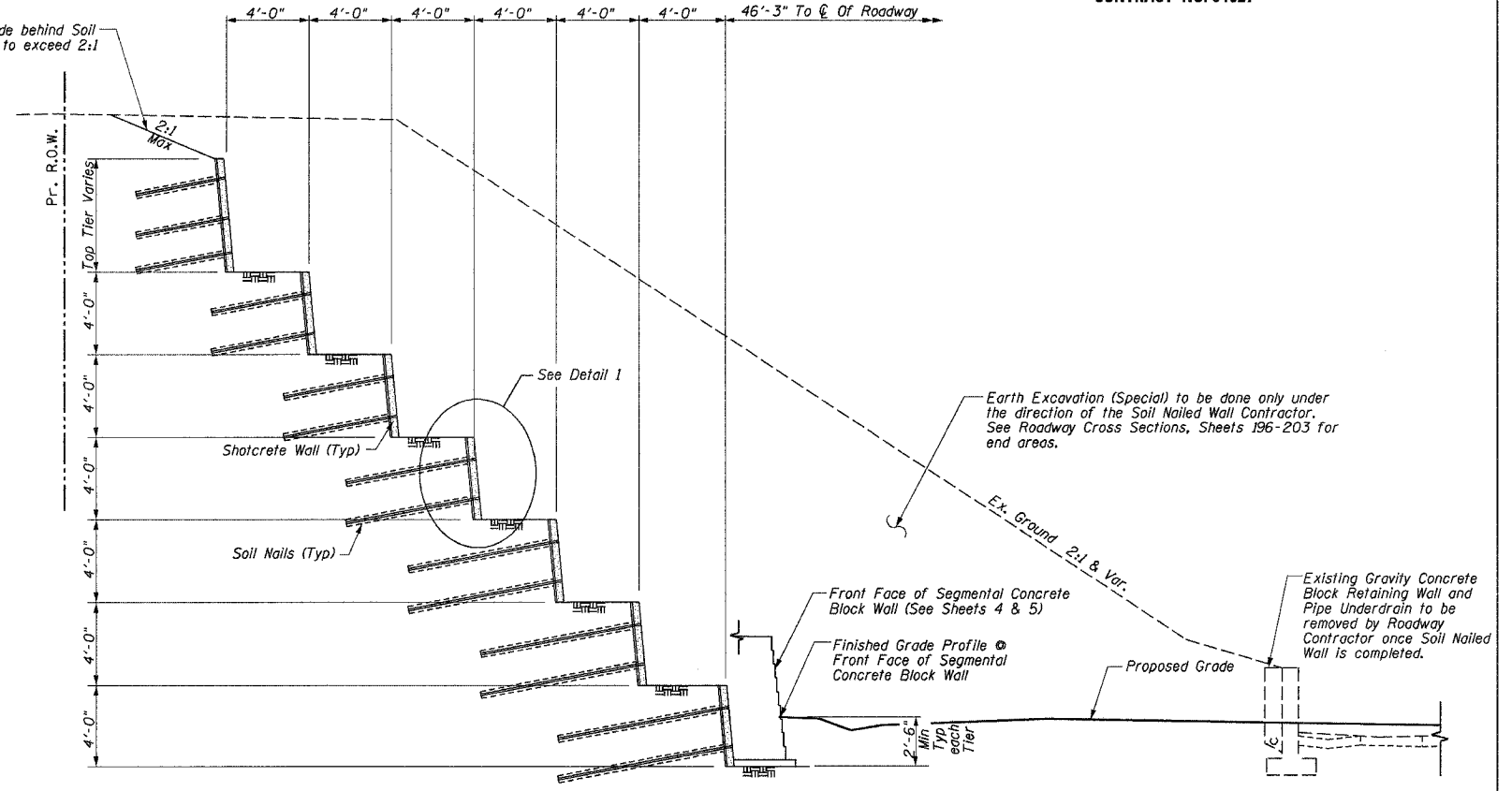
FED. ROAD DIST. NO. 7 ILLINOIS FED. AID PROJECT  
\* 107WRS-1, 107BY, 107BY-1 & 107B-2

CONTRACT NO. 94827



**LEGEND**

- Denotes Work Point. See Sheet 6 for Wall Elevations.
- Denotes Tier No.



**SOIL NAILED WALL**  
ILLINOIS ROUTE 32/33  
F.A.P. ROUTE 774  
SECTION 107 WRS-1, 107BY,  
107BY-1 & 107B-2  
EFFINGHAM COUNTY  
RETAINING WALL  
STA. 1026+03.00 LT. TO STA. 1033+86.00 LT.  
STRUCTURE NUMBER 025-W008