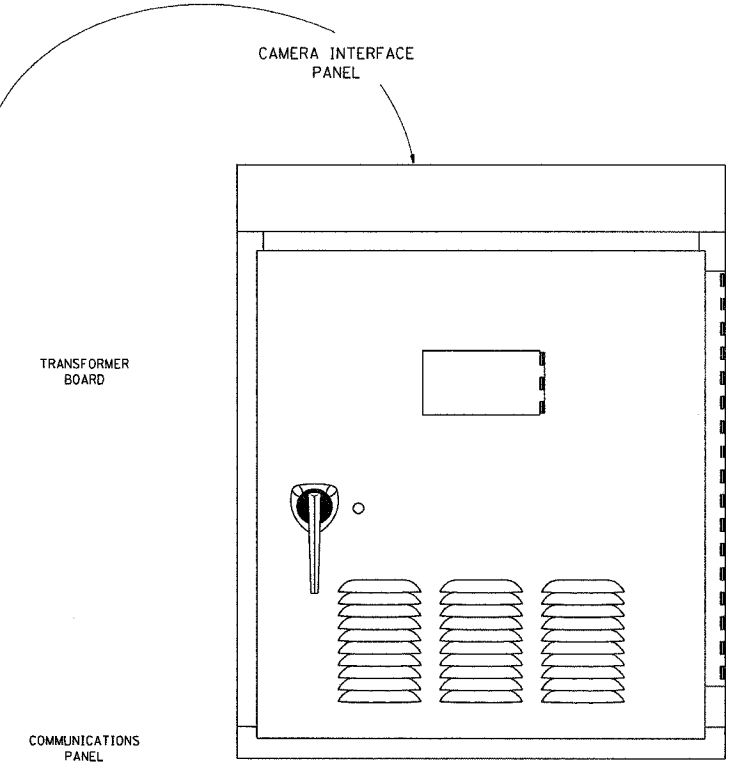
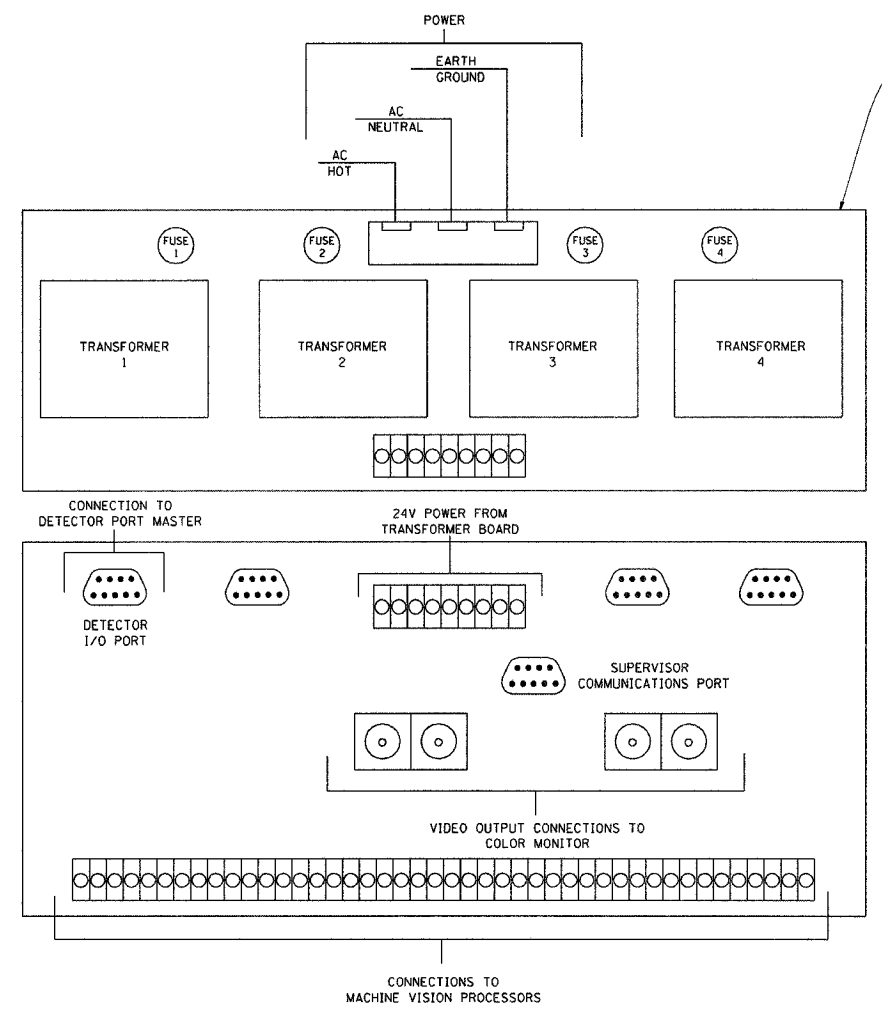
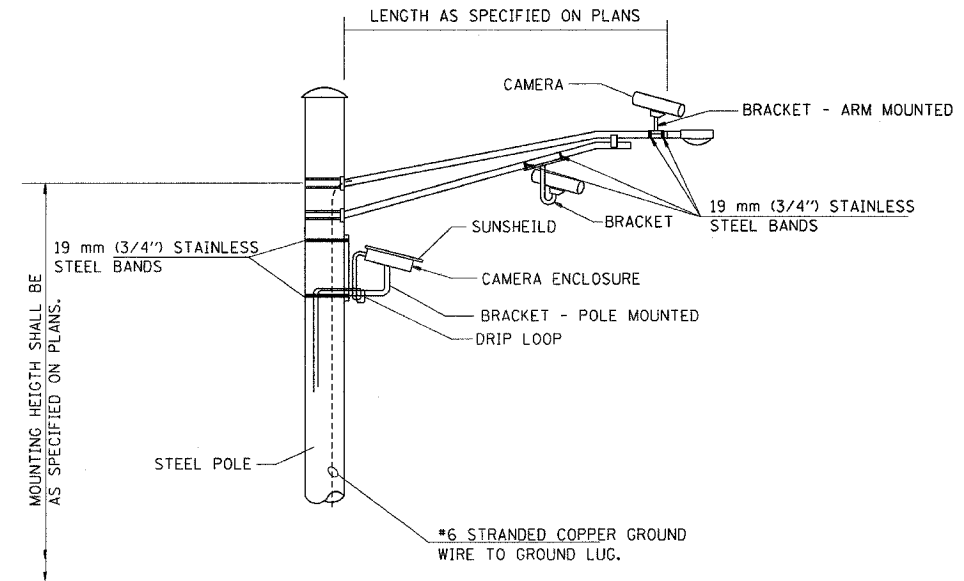


**VIDEO DETECTION SYSTEM INSTALLATION
ARM MOUNTED OR POLE MOUNTED CAMERA**



REVISIONS	
NAME	DATE

ILLINOIS DEPARTMENT OF TRANSPORTATION

VIDEO DETECTION SYSTEM DETAIL

DRAWN BY DIST. 7
CHECKED BY BWC
DATE 2/03