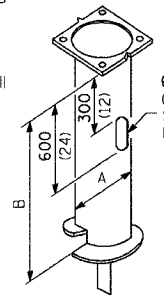


DATA, STEEL \*\*  
FOUNDATION TABLE

BOLT CIRCLE	A	B	MOUNTING HEIGHT
381 mm (15")	254 mm (10")	1.8 m (6')	13.7 m or 16.0 m* (45' - 50')
381 mm (15")	203 mm (8")	1.8 m (6')	13.7 m (45')
292 mm (11")	203 mm (8")	1.8 m (6')	12.0 m or less (40')

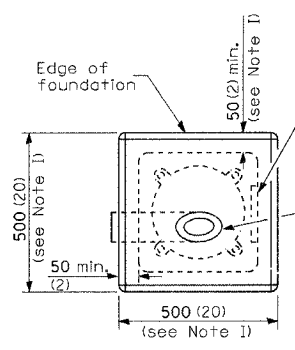
\* For use on poles w/twin tenon  
 \*\* Minimum torque req'd to install foundations shall be 2268 kg (5,000 lbs.)



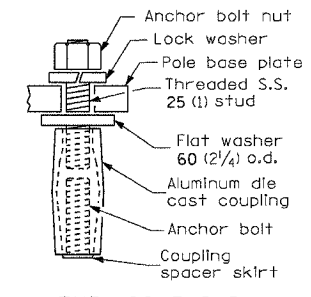
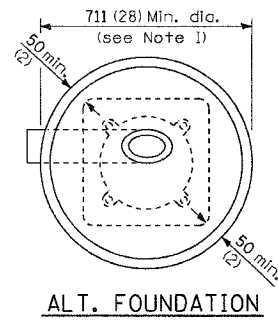
STEEL POLE FOUNDATION

LOW MOUNTING FOUNDATION TABLE

HEIGHT	DEPTH	BOLT CIRCLE
9 m (30')	1.5 m (5'-0")	292 mm (11")
9.4 m - 10.7 m (31'-35')	1.8 m (6'-0")	292 mm (11")
11.9 m - 12.0 m (36'-40')	2.1 m (7'-0")	381 mm (15")
12.5 m - 13.7 m (41'-45')	2.3 m (7'-6")	381 mm (15")
14.0 m - 16.0 m (46'-50')	2.4 m (8'-0")	381 mm (15")

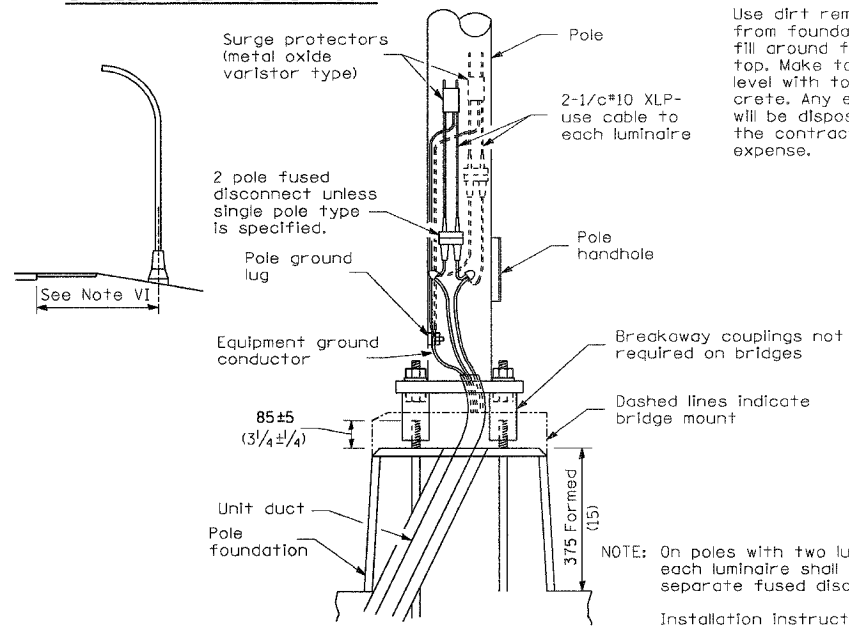


Place door on wireway side. Wireway may be on front, back, or side of foundation as required by the trenching which should permit unit duct to have as few bends as are practical.  
 Top of fiber duct shall be flush with the tip of foundation for drainage. 125 mm (5") I.D. type fiber or polystyrene duct wiring window.



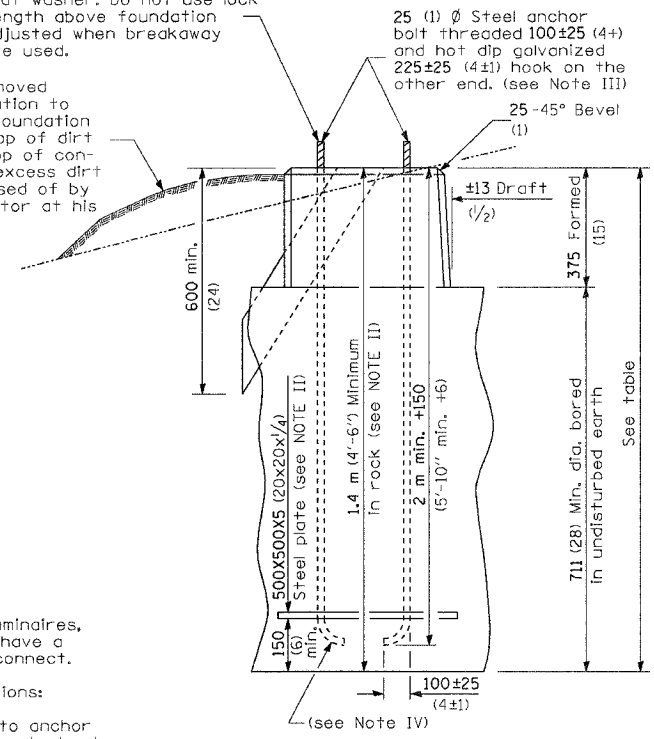
GENERAL NOTES

- After pouring concrete, the form shall remain undisturbed overnight.
- The top 375 mm (15") only shall be formed. Concrete bounded by undisturbed earth only shall fill the remainder of the hole.
- I Minimum clearance from the outside edge of foundation to any part of the pole baseplate shall be 50 mm (2").
- II The depth of the foundation may be reduced 150 mm (6") for every 300 mm (12") of rock encountered with a minimum depth of 1.4 m (4'-6"). When the depth of the foundation is decreased to less than 1.8 m (6') the anchor bolts shall be cut, threaded, and a steel plate 500 mm x 500 mm x 5 mm (20"x20"x 1/4") shall be installed on the anchor bolts 150 mm (6") above the bottom of the excavation. The cost shall be incidental the foundation.
- III On parapet walls use 30 mm (1 1/4") anchor bolts. Use self-locking nut and flat washer. Do not use lockwasher. (For details see Standard III/2.35 of Bridge Design Manual.
- IV Bend radius shall be four times bolt diameter.
- V Connect ground wires to pole base ground lug, not anchor bolts or transformer base.
- VI Low mount pole foundation setback:  
 For horizontal mounted luminaires, setback shall be a minimum of 6.1 m (20') from edge of pavement.  
 For vertical mount luminaires, setback shall be a minimum of 9 m (30') from edge of pavement. Poles shall be located 1.5 m (5') behind guardrail or other protective barriers, or as directed by the Engineer.  
 All dimensions are in millimeters (inches) unless otherwise shown.



Anchor bolt shall extend through nut 10 to 25 (3/8 to 1). Use self-locking nut and flat washer. Do not use lockwasher. Length above foundation shall be adjusted when breakaway devices are used.

Use dirt removed from foundation to fill around foundation top. Make top of dirt level with top of concrete. Any excess dirt will be disposed of by the contractor at his expense.



NOTE: On poles with two luminaires, each luminaire shall have a separate fused disconnect.  
 Installation instructions:  
 Screw couplings on to anchor bolts to end of threads, level couplings, very important, as couplings will become overstressed and either crack or strip threads inside coupling.

POLE BASE MOUNTING & WIRING

REVISIONS	
NAME	DATE

ILLINOIS DEPARTMENT OF TRANSPORTATION  
 LIGHTING DETAILS  
 DATE 2/03  
 DRAWN BY DIST. 7  
 CHECKED BY BWC