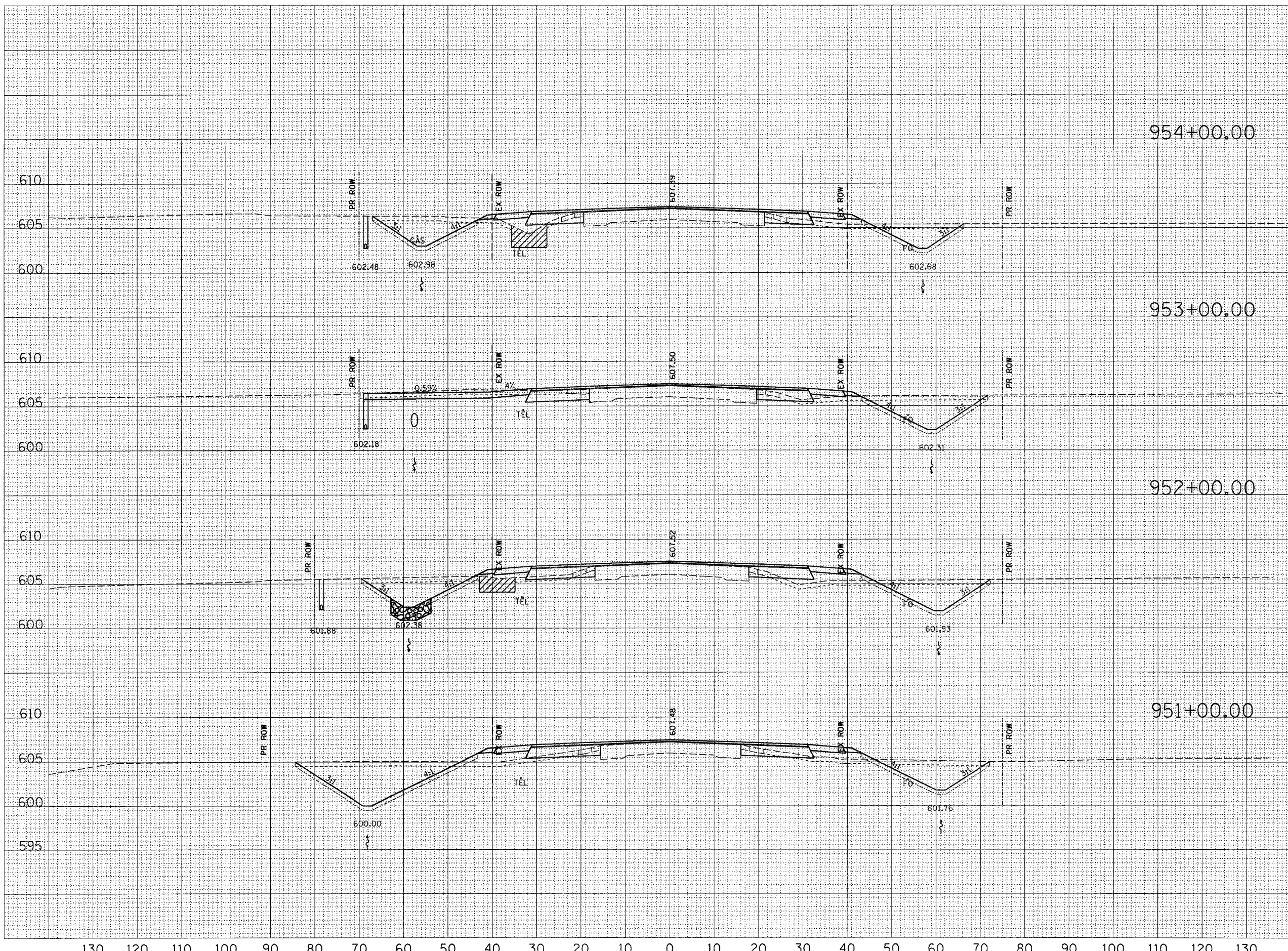


130 120 110 100 90 80 70 60 50 40 30 20 10 0 10 20 30 40 50 60 70 80 90 100 110 120 130

F.A.P. RTE.	SECTION	COUNTY	TOTAL SHEETS	SHEET NO.
774	.	EFFINGHAM	344	169
STA. 951+00.00 TO STA. 954+00.00		FED. ROAD DIST. NO. 7 ILLINOIS FED. AID PROJECT		
4107WRS-1, 107BY, 107BY-1 & 107B-2				
CONTRACT NO. 94827				
STAGE II (LT)			STAGE I (RT)	

BY	DATE
FINAL SURVEY	SURVEYED
PLOTTED	
NOTE BOOK	
NO.	

BY	DATE
ORIGINAL SURVEY	SURVEYED
PLOTTED	
NOTE BOOK	
NO.	



610	610	UNSUIT=16
CUT=48	CUT=35	
FILL=24	FILL=11	
TS_EXC=17	TS_EXC=20	
TS_PLMT=12	TS_PLMT=2	
605	605	
600	600	
610	610	
CUT=21	CUT=63	
FILL=0	FILL=8	
TS_EXC=23	TS_EXC=24	
TS_PLMT=0	TS_PLMT=14	
605	605	
600	600	
610	610	UNSUIT=13
CUT=45	CUT=52	
FILL=18	FILL=23	
TS_EXC=20	TS_EXC=25	
TS_PLMT=9	TS_PLMT=14	
605	605	
600	600	
595	595	
CUT=104	CUT=52	
FILL=20	FILL=15	
TS_EXC=32	TS_EXC=26	
TS_PLMT=21	TS_PLMT=4	

130 120 110 100 90 80 70 60 50 40 30 20 10 0 10 20 30 40 50 60 70 80 90 100 110 120 130

Vertical curve sheets 7/24/2009 9:05:30 AM