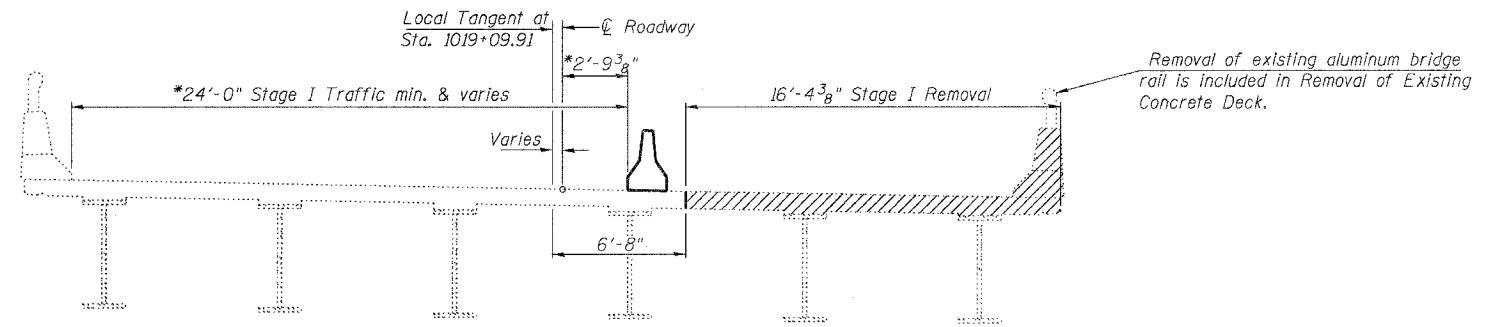


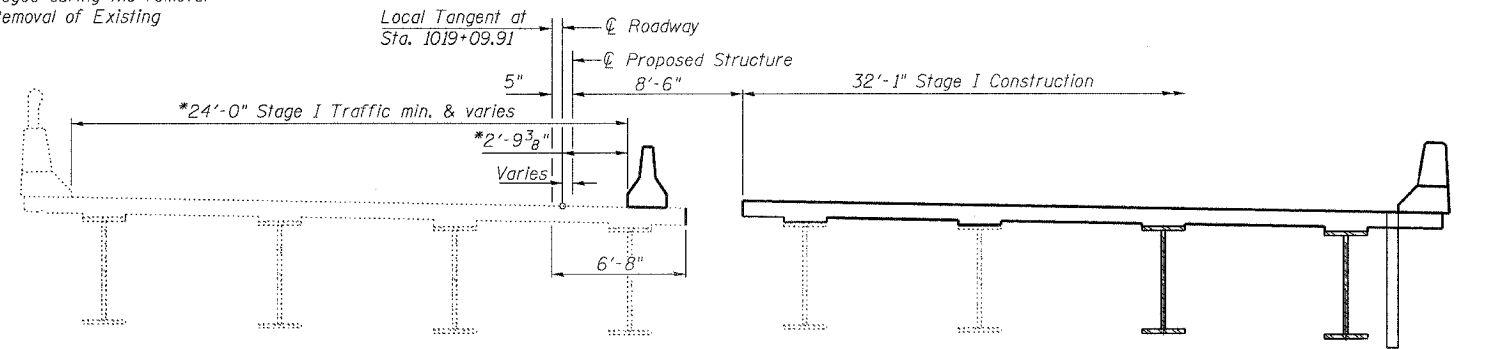
ROUTE NO.	SECTION	COUNTY	TOTAL SHEETS	SHEET NO.	SHEET NO. 3
F.A.P. RTE. 774	107BY-1	EFFINGHAM	344	269	26 SHEETS
FED. ROAD DIST. NO. 7 ILLINOIS FED. AID PROJECT- <b>CONTRACT NO. 94827</b>					

**NOTES**

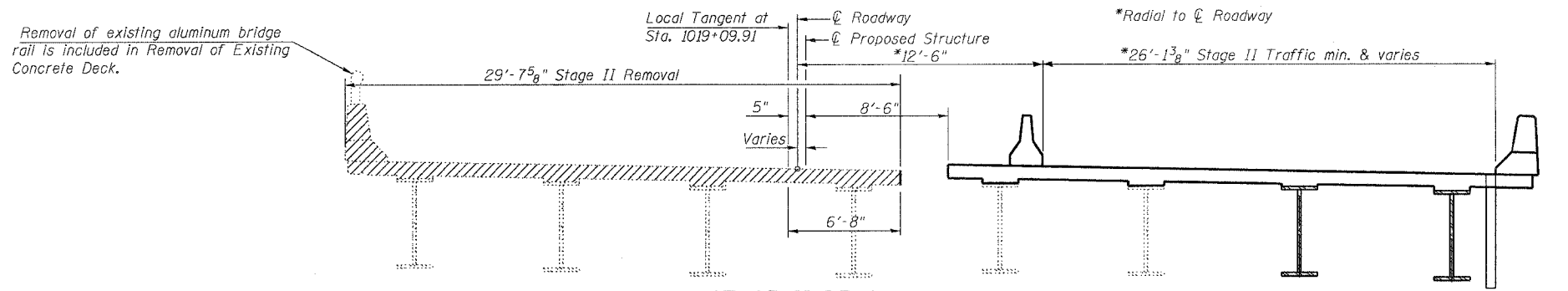
Hatched areas indicate "Removal of Existing Concrete Deck". See Roadway Plans for quantity of Temporary Concrete Barrier. The Shear Studs on existing girders will remain. It is the Contractor's responsibility to replace existing shear studs damaged during the removal of the existing concrete deck. Cost included in Removal of Existing Concrete Deck.



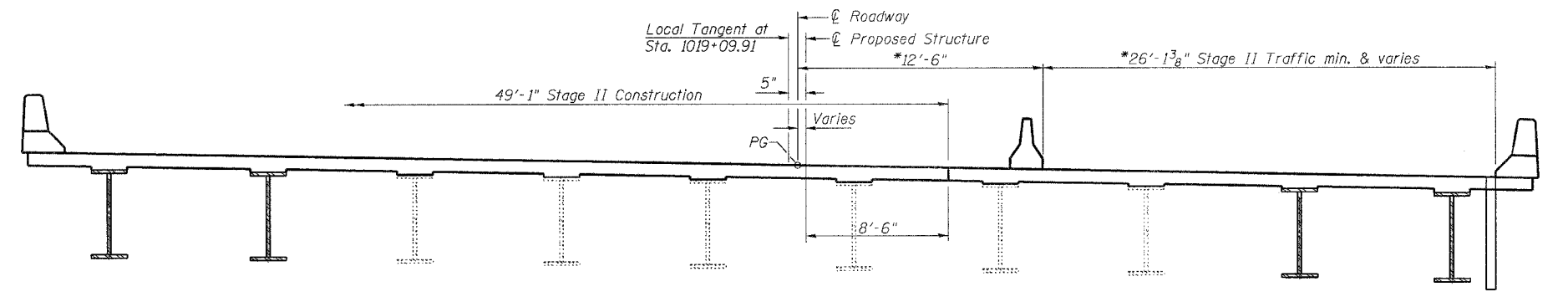
**STAGE I REMOVAL**  
(Looking East)



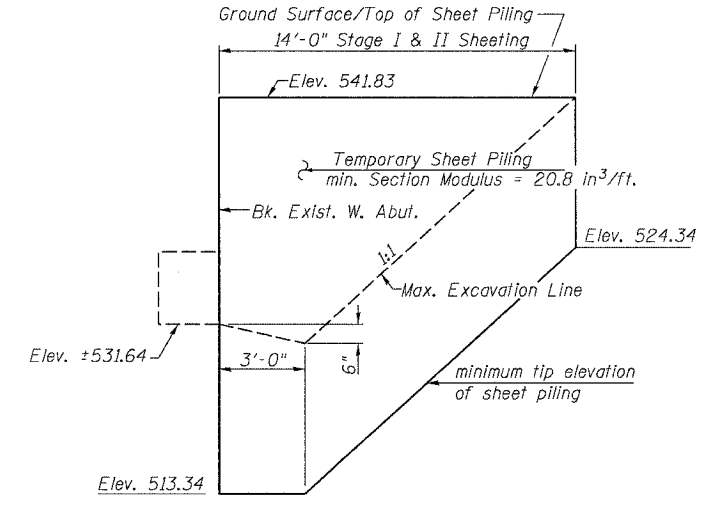
**STAGE I CONSTRUCTION**  
(Looking East)



**STAGE II REMOVAL**  
(Looking East)

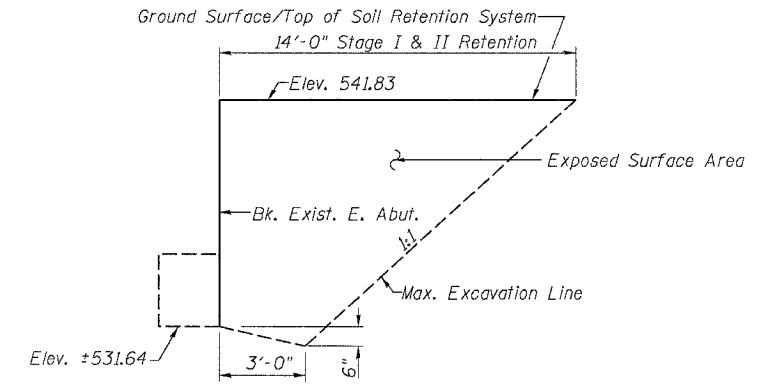


**STAGE II CONSTRUCTION**  
(Looking East)



**TEMPORARY SHEET PILING DETAIL - W. ABUT.**

If the Contractor chooses to alter the temporary cantilevered sheet piling design requirements shown on the plans, a design submittal including plan details and calculations will be required for review and acceptance by the Engineer.



**TEMPORARY SOIL RETENTION SYSTEM - E. ABUT.**

A cantilevered sheet piling design does not appear feasible at the east abutment and additional members or other retention systems may be necessary. The Contractor shall submit a temporary soil retention system design including plan details and calculations for review and acceptance by the Engineer.

**STAGE CONSTRUCTION SEQUENCE**

- ① Direct Stage I Traffic as shown.
- ② Drive Temporary Sheet Piling or install Temporary Retention System located behind each abutment and proceed with Stage I Removal.
- ③ Proceed with Stage I Construction.
- ④ Direct Stage II Traffic as shown.
- ⑤ Relocate Stage I Sheet Piling or Retention System as necessary for Stage II Sheet Piling or Retention System.
- ⑥ Proceed with Stage II Removal and Construction.

SHEET TITLE		PROJECT NO.	
<b>STAGE CONSTRUCTION DETAILS</b>		02017	
PROJECT	IL RTE. 32/33 OVER LITTLE WABASH RIVER OVERFLOW F.A.P. RTE. 774 SECTION 107BY-1 EFFINGHAM COUNTY STATION 1018+86.92 STRUCTURE NO. 025-0077	SCALE	DATE
DRAWN BY	TFG	CHECKED BY	KPS/CME/MCB
<b>COOMBE-BLOXDORF P.C.</b> Engineers/Land Surveyors Springfield, Illinois Design Firm License No. 184-002703		DRAWING NO.	3
		OF 26 SHTS	

DATE PLOTTED: 03/27/04 05:03:32 AM