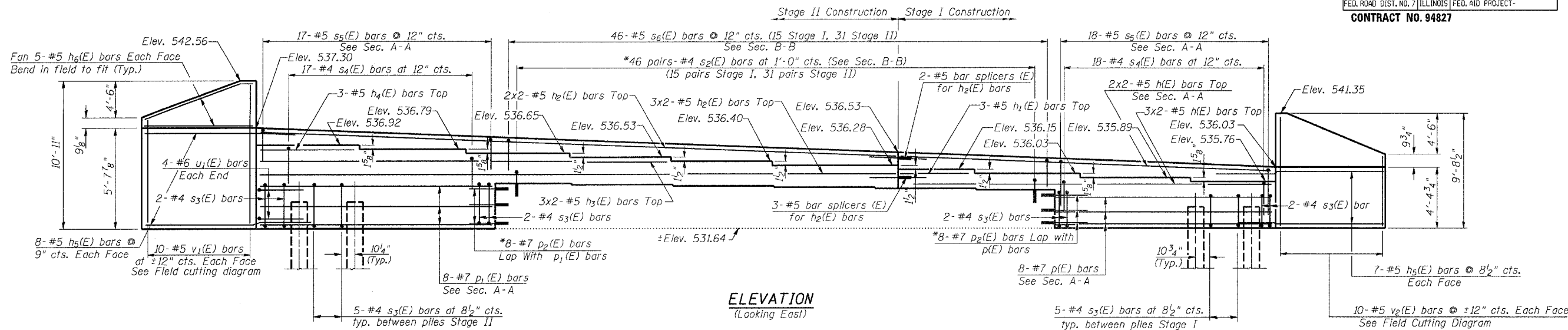


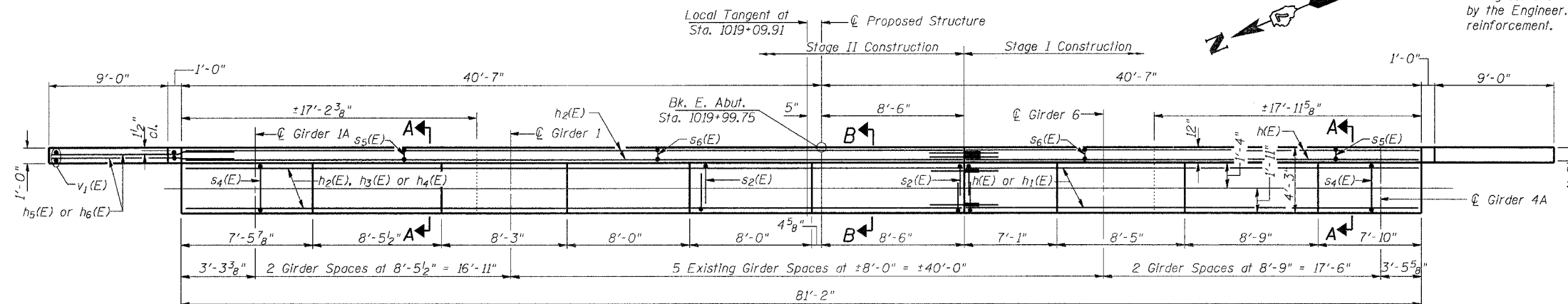
ROUTE NO.	SECTION	COUNTY	TOTAL SHEETS	SHEET NO.	SHEET NO. 19 26 SHEETS
F.A.P. RTE. 774	107BY-1	EFFINGHAM	344	285	
FED. ROAD DIST. NO. 7	ILLINOIS FED. AID PROJECT-				

CONTRACT NO. 94827



ELEVATION
(Looking East)

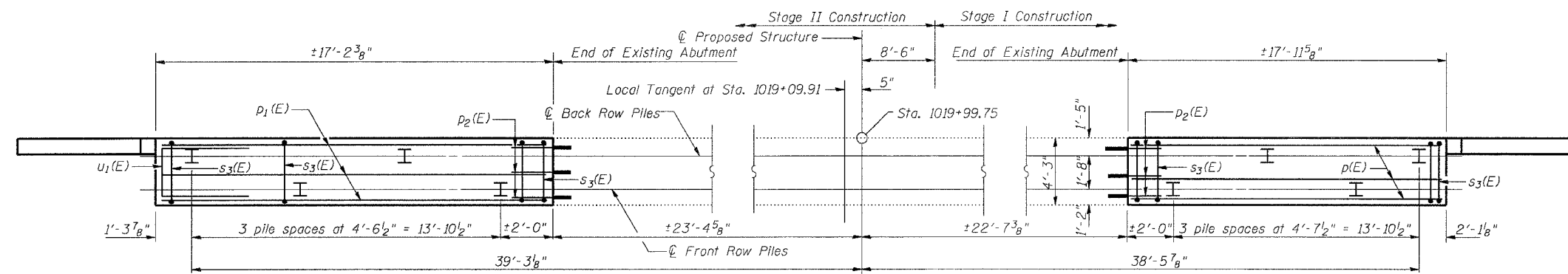
*Epoxy grout bars 9" deep minimum drilled holes according to Section 584 of the Standard Specifications. The grout and method of application shall be approved by the Engineer. Space p₂(E) bars to miss existing reinforcement.



PLAN

PILE DATA
Type : HP10 x 57
Capacity : Driven to Refusal
Length : 18'
No Req'd. : 7 + 1 test pile

Min. Bar Lap
#5 bars = 1'-8"



PLAN PILE CAP
Existing piles not shown

Work this sheet with sheet 20 of 26.

SHEET TITLE EAST ABUTMENT		PROJECT NO. 02017
PROJECT IL RTE. 32/33 OVER LITTLE WABASH RIVER OVERFLOW F.A.P. RTE. 774 SECTION 107BY-1 EFFINGHAM COUNTY STATION 1018+86.92 STRUCTURE NO. 025-0077		SCALE DATE DRAWN BY TFC
CHECKED BY KPS/CME/MCB		DESIGNED BY KPS/CME/MCB
COOMBE-BLOXDORF P.C. Engineers/Land Surveyors Springfield, Illinois Design Firm License No. 184-002708		DRAWING NO. 19 OF 26 SHTS

east-abut-proposed