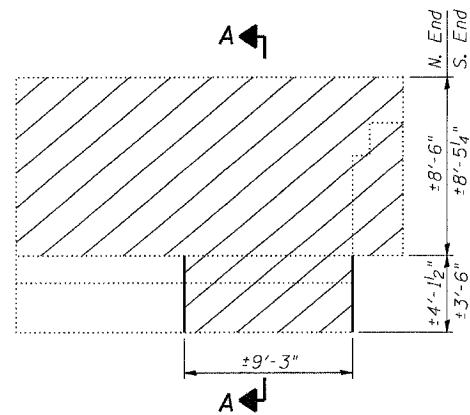
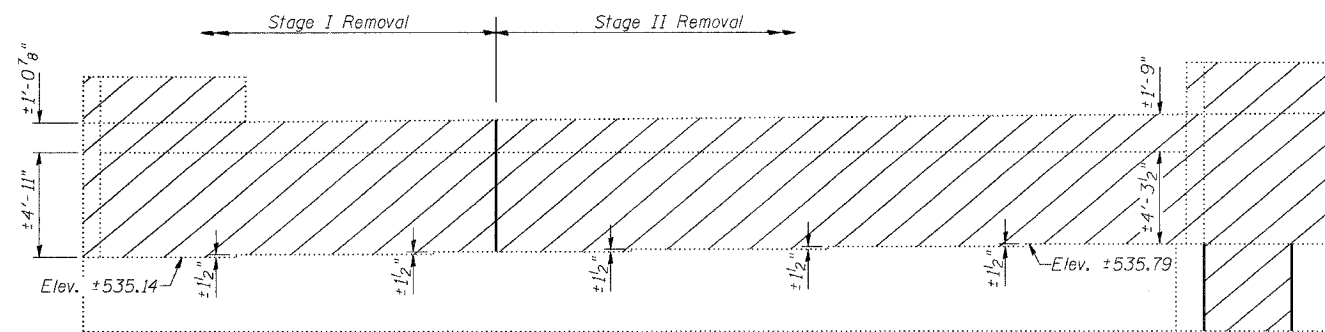


| | | | | | |
|--|---------|-----------|--------------|-----------|--------------|
| ROUTE NO. | SECTION | COUNTY | TOTAL SHEETS | SHEET NO. | SHEET NO. 17 |
| F.A.P. RTE. 774 | 107BY | EFFINGHAM | 344 | 309 | 29 SHEETS |
| FED. ROAD DIST. NO. 7 ILLINOIS FED. AID PROJECT- | | | | | |

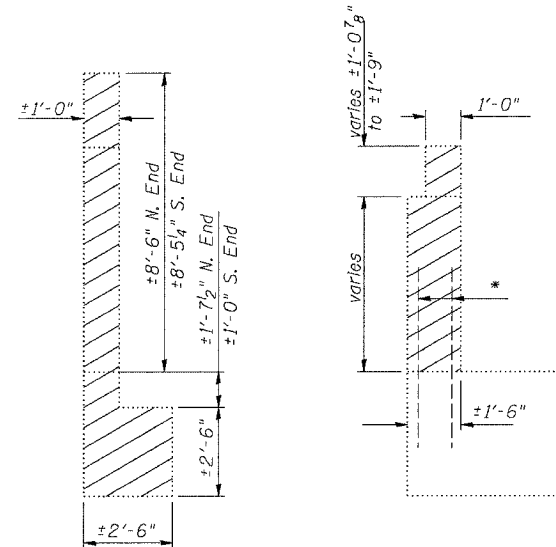
CONTRACT NO. 94827



WING WALL ELEVATION
(South Wingwall Shown)



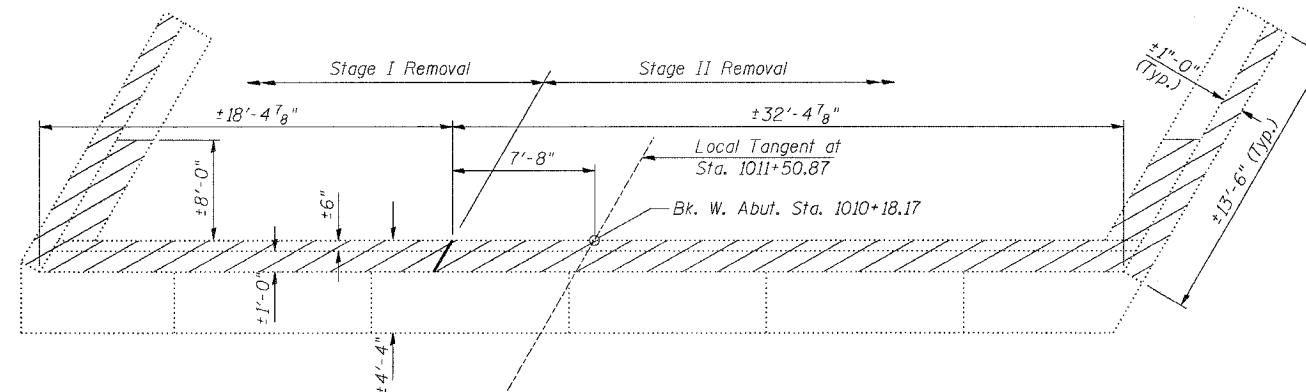
ELEVATION
(Looking West)



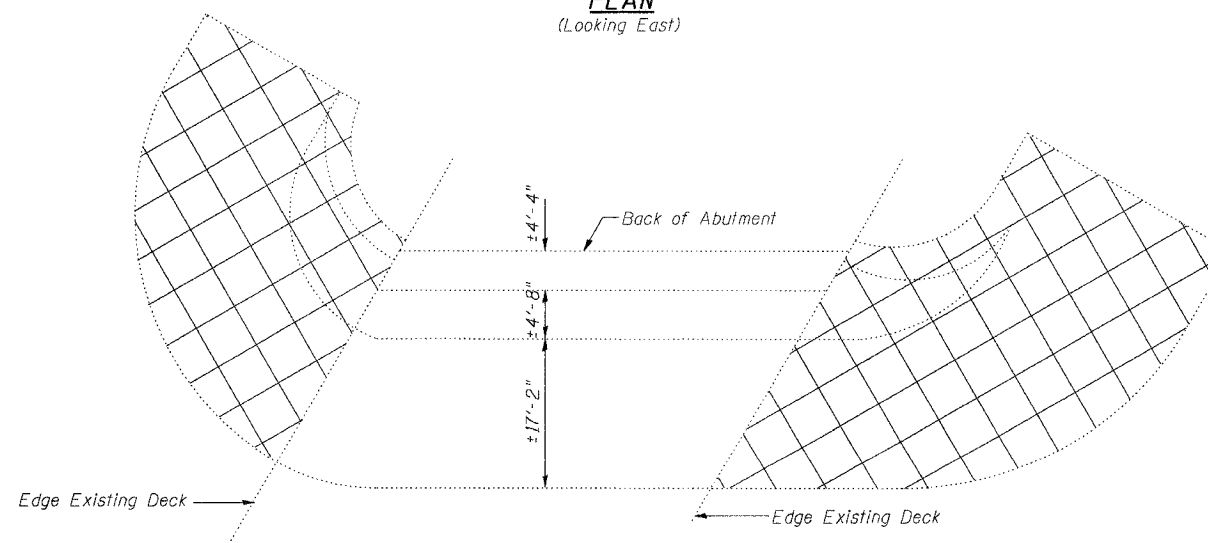
SEC. A-A

SEC. THRU ABUT.

* Existing v bars in abutment backwall shall be cut to fit proposed construction.



PLAN
(Looking East)



SLOPEWALL REMOVAL

NOTES

Hatched areas indicate Concrete Removal.
Existing reinforcement not extending into areas of new construction shall be cut at the removal line and removed. Exposed portion will be covered with a layer of epoxy. Cost included with Concrete Removal.
Existing reinforcement extending into the removal area are to be cleaned, straightened and incorporated into the new construction. All reinforcement bars that are damaged during concrete removal shall be replaced with an approved bar splicer or anchorage system. Cost included with Concrete Removal.
Cross hatched areas indicate Slopewall Removal.

BILL OF MATERIAL

| Item | Unit | Quantity |
|-------------------|---------|----------|
| Concrete Removal | Cu. Yd. | 29.3 |
| Slopewall Removal | Sq. Yd. | 321 |

| | |
|--|---|
| SHEET TITLE WEST ABUTMENT CONCRETE REMOVAL | |
| PROJECT IL RTE. 32/33 OVER LITTLE WABASH RIVER F.A.P. RTE. 774 SECTION 107BY EFFINGHAM COUNTY STATION 1011+50.17 STRUCTURE NO. 025-0078 | PROJECT NO. 02017 SCALE DATE DRAWN BY TFG CHECKED BY GJB/MCB DRAWING NO. |
| COOMBE-BLOXDORF P.C. Engineers/Land Surveyors Springfield, Illinois Design Firm License No. 184-002708 | 17 OF 29 SHTS |