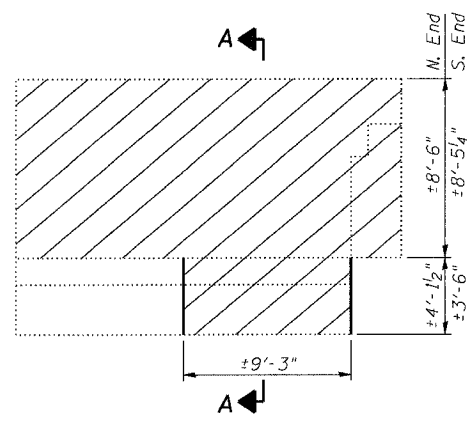
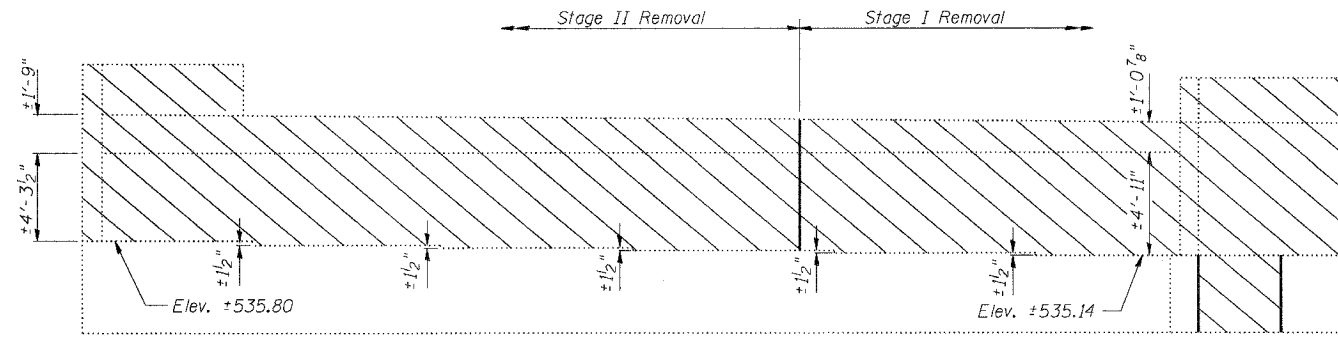


ROUTE NO.	SECTION	COUNTY	TOTAL SHEETS	SHEET NO.	SHEET NO. 20 29 SHEETS
F.A.P. RTE. 774	107BY	EFFINGHAM	344	312	
FED. ROAD DIST. NO. 7 ILLINOIS FED. AID PROJECT-					

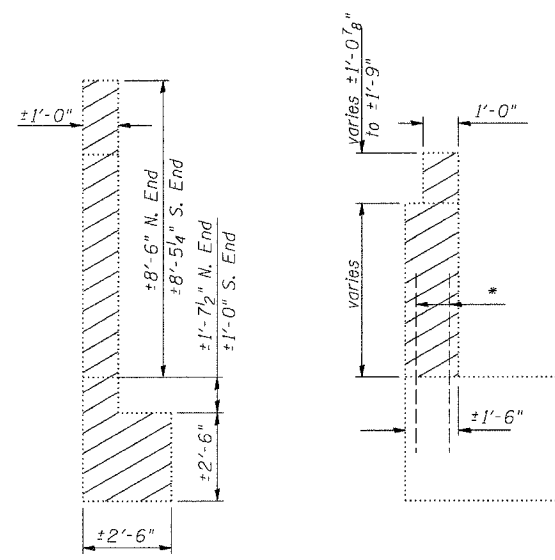
CONTRACT NO. 94827



WING WALL ELEVATION
(North Wingwall Shown)



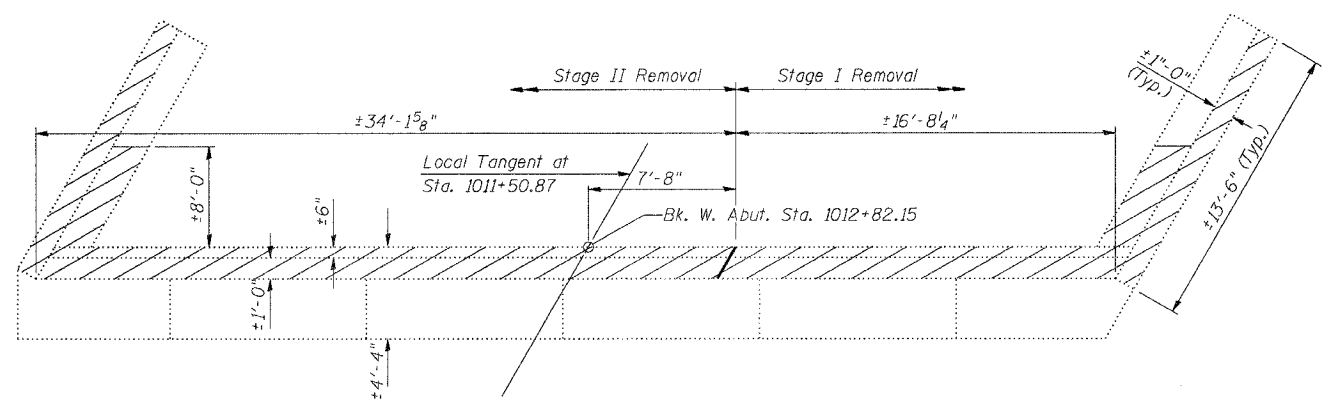
ELEVATION
(Looking East)



SEC. A-A

SEC. THRU ABUT.

* Existing v bars in abutment backwall shall be cut to fit proposed construction.



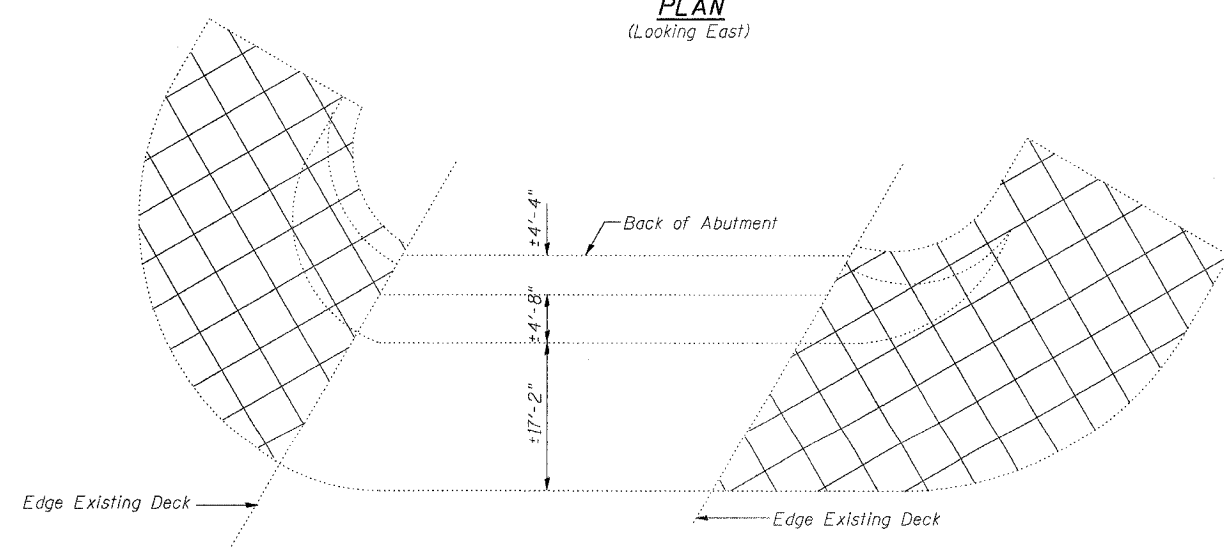
PLAN
(Looking East)

NOTES

Hatched areas indicate Concrete Removal.
Existing reinforcement not extending into areas of new construction shall be cut at the removal line and removed. Exposed portion will be covered with a layer of epoxy. Cost included with Concrete Removal.
Existing reinforcement extending into the removal area are to be cleaned, straightened and incorporated into the new construction. All reinforcement bars that are damaged during concrete removal shall be replaced with an approved bar splicer or anchorage system. Cost included with Concrete Removal.
Cross hatched areas indicate Slopewall Removal.

BILL OF MATERIAL

Item	Unit	Quantity
Concrete Removal	Cu. Yd.	29.3
Slopewall Removal	Sq. Yd.	321



SLOPEWALL REMOVAL

SHEET TITLE EAST ABUTMENT CONCRETE REMOVAL	
PROJECT IL RTE. 32/33 OVER LITTLE WABASH RIVER F.A.P. RTE. 774 SECTION 107BY EFFINGHAM COUNTY STATION 1011+50.17 STRUCTURE NO. 025-0078	PROJECT NO. 02017 DATE DRAWN BY TFG CHECKED BY GJB/MCB DRAWING NO.
COOMBE-BLOXDORF P.C. Engineers / Land Surveyors Springfield, Illinois Design Firm License No. 184-002703	20 OF 29 SHTS