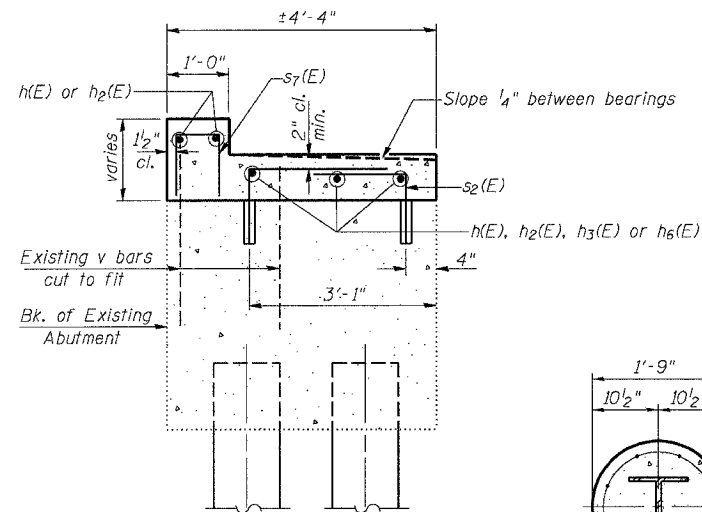


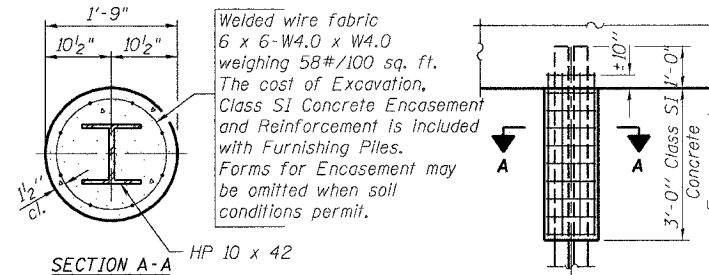
### BILL OF MATERIAL

| Bar                             | No.     | Size | Length  | Shape |
|---------------------------------|---------|------|---------|-------|
| h(E)                            | 10      | #5   | 19'-3"  | —     |
| h <sub>2</sub> (E)              | 10      | #5   | 29'-0"  | —     |
| h <sub>3</sub> (E)              | 6       | #5   | 19'-7"  | —     |
| h <sub>4</sub> (E)              | 3       | #5   | 8'-10"  | —     |
| h <sub>5</sub> (E)              | 30      | #5   | 12'-2"  | —     |
| h <sub>6</sub> (E)              | 3       | #5   | 8'-9"   | —     |
| h <sub>7</sub> (E)              | 20      | #5   | 9'-8"   | —     |
|                                 |         |      |         |       |
| p <sub>1</sub> (E)              | 2       | #7   | 20'-0"  | —     |
| p <sub>2</sub> (E)              | 16      | #7   | 5'-9"   | —     |
| p <sub>4</sub> (E)              | 3       | #7   | 21'-3"  | —     |
| p <sub>5</sub> (E)              | 3       | #7   | 18'-11" | —     |
| p <sub>6</sub> (E)              | 8       | #7   | 20'-7"  | —     |
|                                 |         |      |         |       |
| s <sub>2</sub> (E)              | 106     | #4   | 3'-9"   | □     |
| s <sub>3</sub> (E)              | 36      | #4   | 15'-1"  | □     |
| s <sub>4</sub> (E)              | 6       | #4   | 16'-4"  | □     |
| s <sub>5</sub> (E)              | 39      | #4   | 5'-8"   | □     |
| s <sub>6</sub> (E)              | 41      | #5   | 6'-1"   | □     |
| s <sub>7</sub> (E)              | 53      | #5   | 2'-5"   | □     |
|                                 |         |      |         |       |
| u <sub>1</sub> (E)              | 8       | #6   | 9'-8"   | —     |
|                                 |         |      |         |       |
| v <sub>1</sub> (E)              | 10      | #5   | 16'-10" | —     |
| v <sub>2</sub> (E)              | 10      | #5   | 14'-4"  | —     |
|                                 |         |      |         |       |
| Structure Excavation            | Cu. Yd. | 183  |         |       |
| Concrete Structures             | Cu. Yd. | 46.9 |         |       |
| Reinforcement Bars Epoxy Coated | Lbs.    | 3790 |         |       |
| Furnishing Steel Piles HP10x42  | Ft.     | 231  |         |       |
| Driving Steel Piles             | Ft.     | 231  |         |       |
| Test Piles Steel HP10x42        | Each    | 1    |         |       |
| Bar Splicers                    | Each    | 5    |         |       |

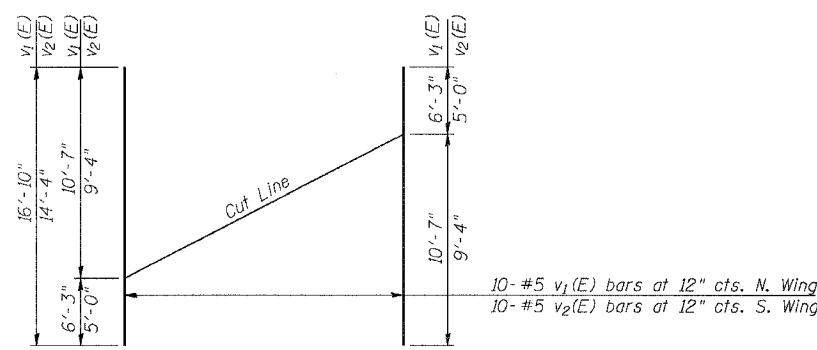
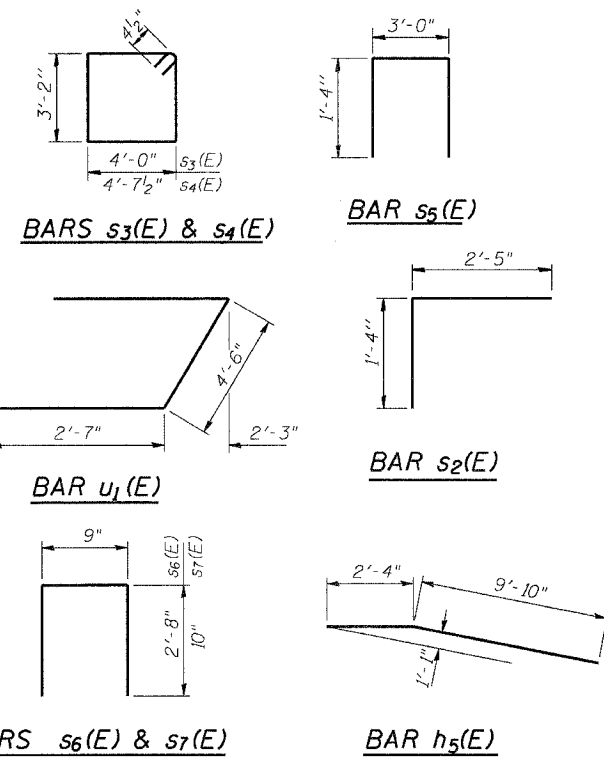
Reinforcement bars designated (E) shall be epoxy coated.



SECTION B-B

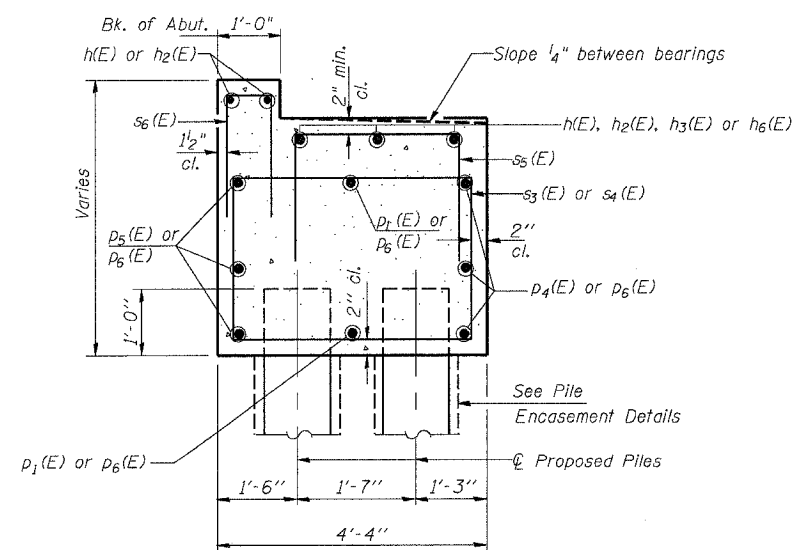


PILE ENCASEMENT DETAIL



### FIELD CUTTING DIAGRAM

Order v<sub>1</sub>(E) and v<sub>2</sub>(E) bars full length. Cut as shown and use remainder of bars in opposite face.



SECTION A-A

Work this sheet with sheet 21 of 29.

|                                    |  |             |         |
|------------------------------------|--|-------------|---------|
| SHEET TITLE                        |  | PROJECT NO. |         |
| EAST ABUTMENT DETAILS              |  | 02017       |         |
| PROJECT                            | IL RTE. 32/33 OVER LITTLE WABASH RIVER | SCALE       |         |
|                                    | F.A.P. RTE. 774 SECTION 107BY          | DATE        |         |
|                                    | EFFINGHAM COUNTY                       | DRAWN BY    | TFG     |
|                                    | STATION 1011+50.17                     | CHECKED BY  | GJB/MCB |
|                                    | STRUCTURE NO. 025-0078                 | DRAWING NO. |         |
| COOMBE-BLOXDORF P.C.               |  | 22          |         |
| Engineers / Land Surveyors         |  | OF 29 SHTS  |         |
| Springfield, Illinois              |  |             |         |
| Design Firm License No. 184-002708 |  |             |         |