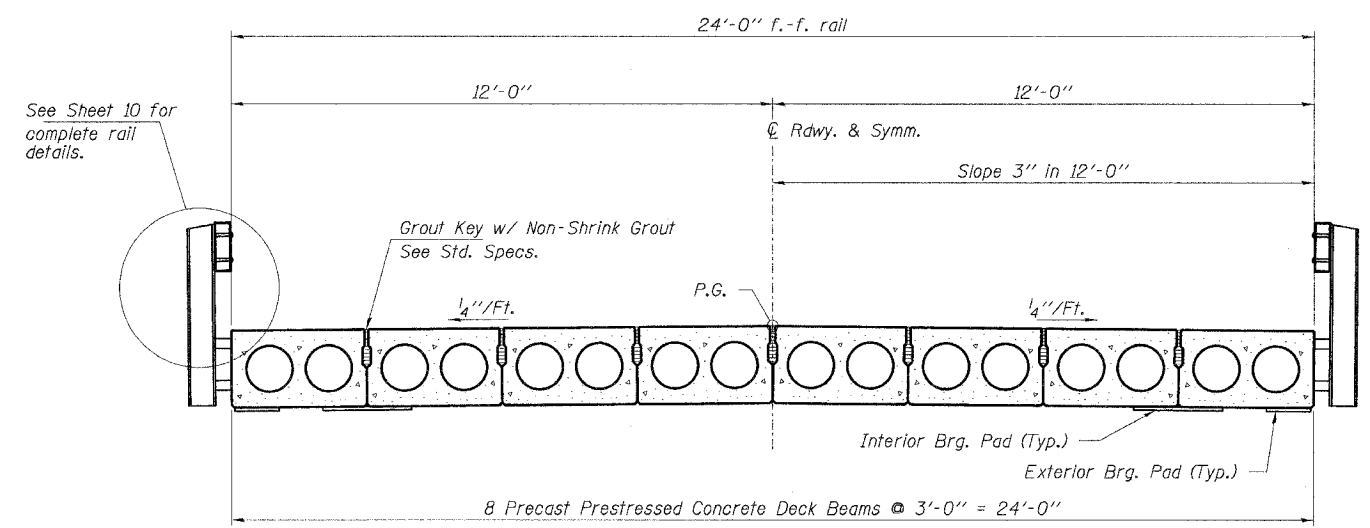
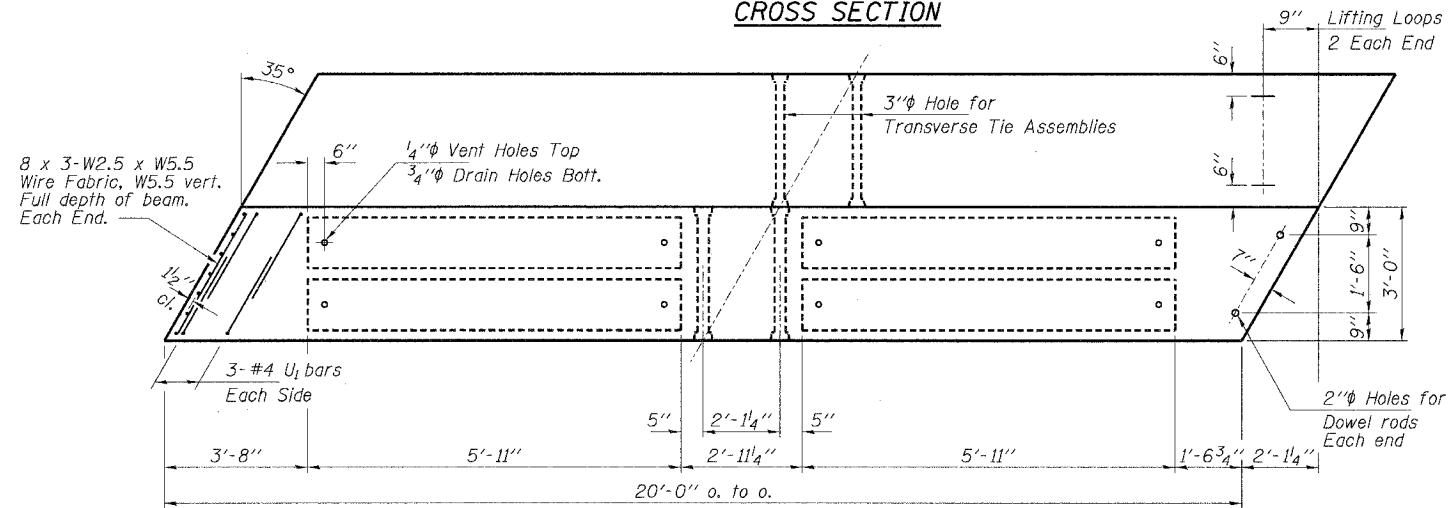


ROUTE NO.	SECTION	COUNTY	TOTAL SHEETS	SHEET NO.
F.A.S. 2821	98-16119-00-BR	WAYNE	13	8

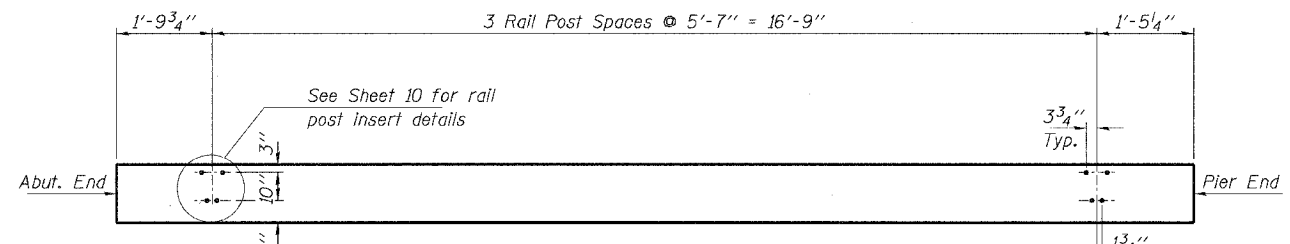
FED. ROAD DIST. NO. ILLINOIS FED. AID PROJECT CONTRACT NO. 95415



**CROSS SECTION**

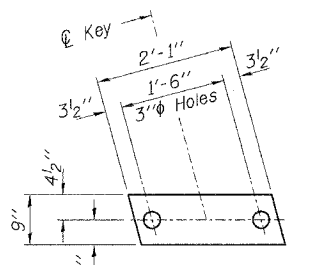


**PLAN**

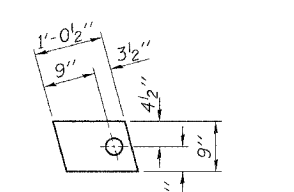


**ELEVATION OF OUTSIDE BEAMS**

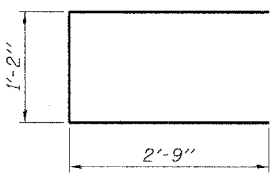
Showing Rail Post Spacing



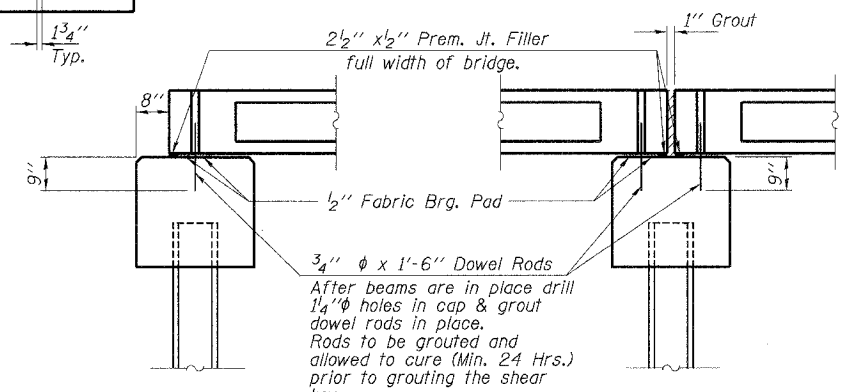
**FABRIC BEARING PAD**  
(Interior - 28 Req'd)



**FABRIC BEARING PAD**  
(Exterior - 8 Req'd)

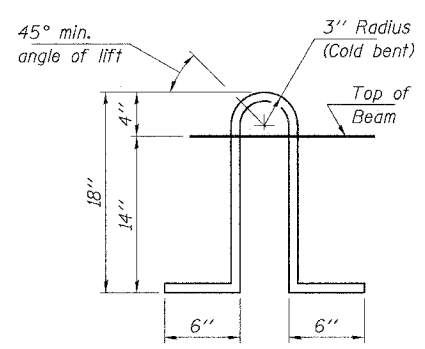


**BAR U1**



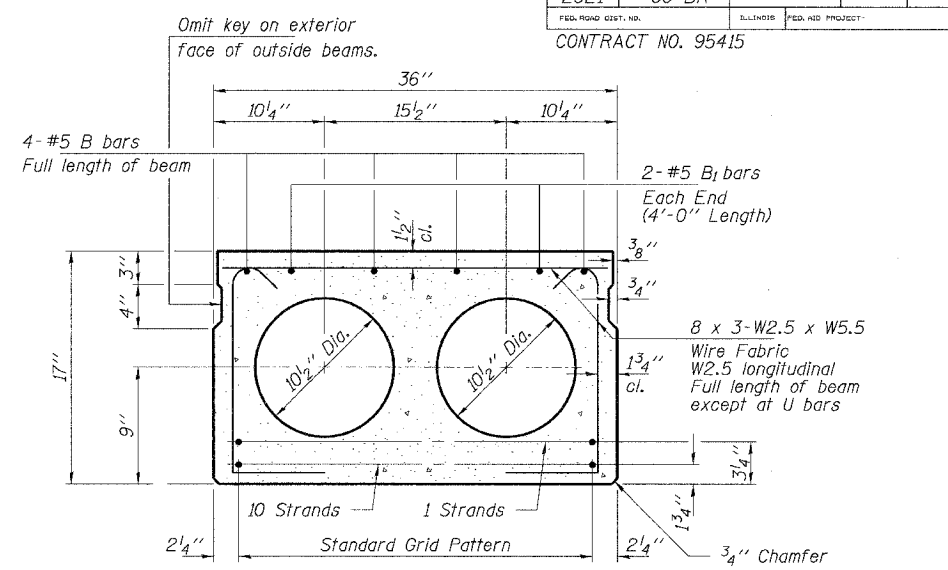
**SECTION AT ABUTMENTS**

**SECTION AT PIERS**



**LIFTING LOOP DETAIL**

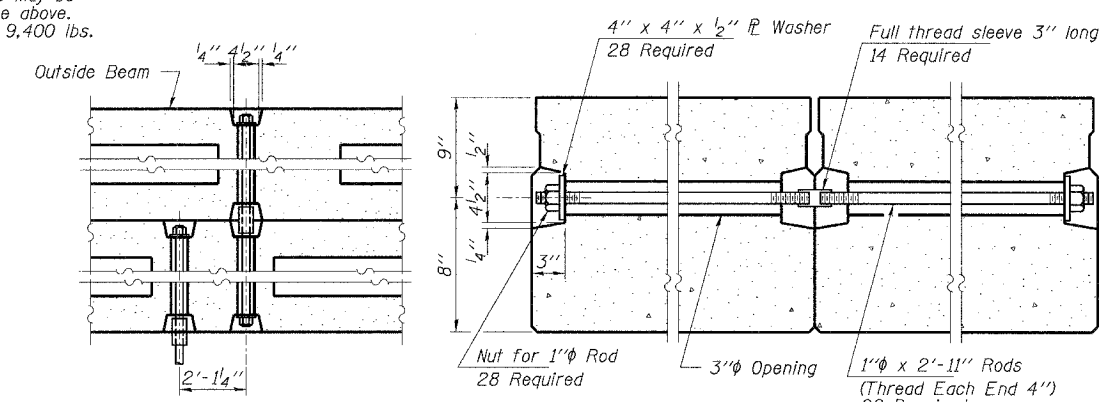
Approved alternate may be substituted for the above. Weight of 1 Beam = 9,400 lbs.



**TYPICAL SECTION**

10-1/2" Strands, Each Strand Stressed to 30,900 Lbs. 6-Strands 1-3/4" up, 4-Strands 3/4" up

Note: Place strands symmetrically about center of beam.



**TYPICAL TRANSVERSE TIE ASSEMBLY**

**NOTES**

Prestressing steel shall be non-galvanized high strength, stress-relieved 7-wire strand, Grade 270. The nominal diameter shall be 1/2" and the nominal cross-sectional area shall be 0.153 sq. in. Lifting loops shall be 7-wire stress-relieved 2-1/2" phi-270 ksi strands. Reinforcement bars shall conform to the requirements of AASHTO M-31, M-42 or M-53 Grade 60. The bearing seat surfaces shall be adjusted by shimming to assure firm and even bearing. Two 9" fabric adjusting shims of the dimensions of the Exterior Bearing Pad shall be provided for each bearing. Keyway surfaces shall be cleaned to remove form oil or other bond breaking material prior to shipment of the beams. Cleaning shall be done by sandblasting the keyway areas between top of the beam and the bottom edge of the key. Required Release Strength, f'cl, shall be 4,000 p.s.i. An equal substitution of the low-relaxation strands for the stress relieved strands will be permitted. The 1" rods in the transverse tie assembly shall be tightened to a snug fit and the threads set. Pockets that receive transverse tie bar on outside shall be filled with grout after transverse tie assembly is in place.

**BILL OF MATERIAL**

ITEM	UNIT	QUANTITY
Precast Prestressed Concrete Deck Beams (17" Depth)	Sq. Ft.	960

**HLR**  
Rice, Berry and Associates  
A Division of Hampton, Lenzini and Renwick, Inc.  
Civil & Structural Engineers  
801 S. Durkin Drive  
Springfield, Illinois 62704  
217-546-3400  
P.O. Box 1036  
DuQuoin, Illinois 62832  
618-790-4637  
Account Number 12-97-0005-1  
Date: 09/30/04  
DESIGNED: S.W.M. CHECKED: M.G.B. DRAWN: D.T.M.

**SUPERSTRUCTURE SPANS 1 & 3**  
**SECTION 98-16119-00-BR**  
**MASSILON ROAD DISTRICT**  
**WAYNE COUNTY**  
**STATION 9+91**