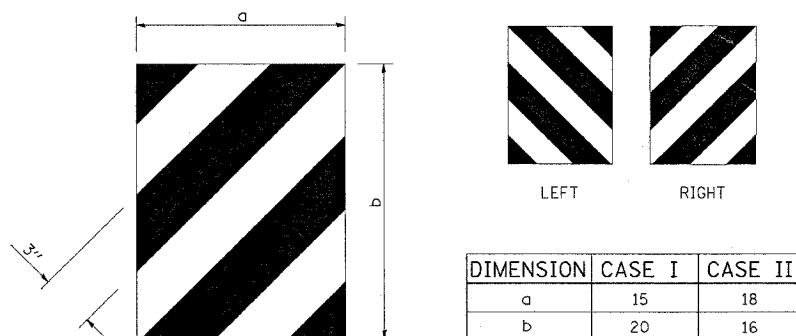


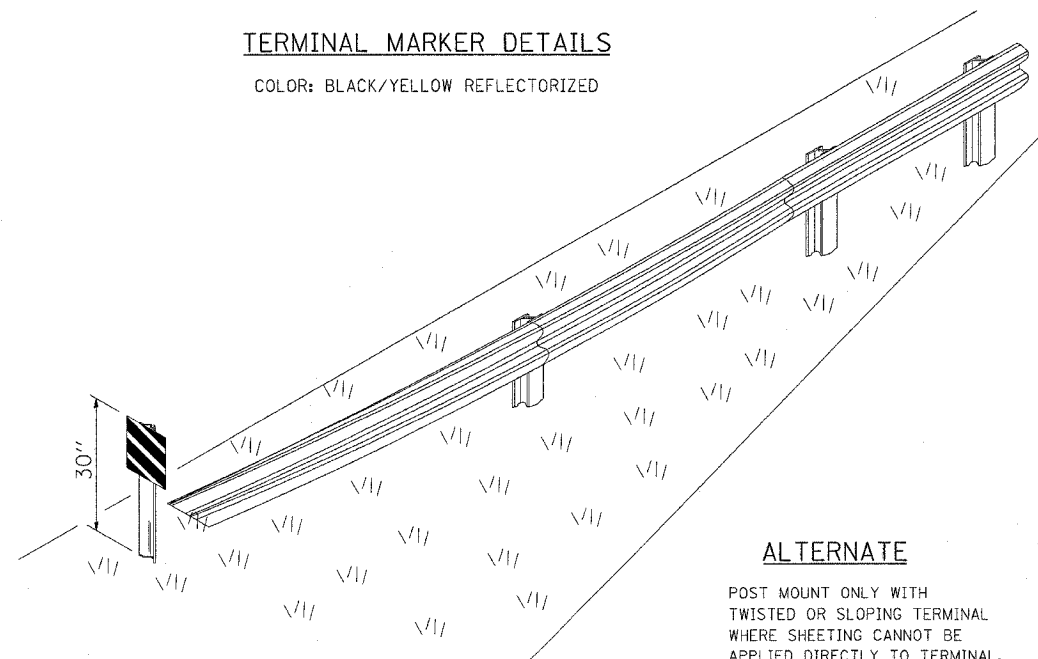
CASE I

CASE II



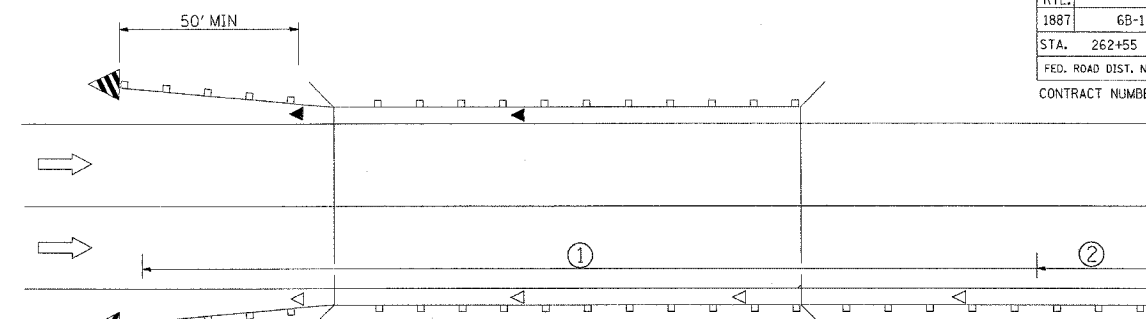
TERMINAL MARKER DETAILS

COLOR: BLACK/YELLOW REFLECTORIZED



ALTERNATE

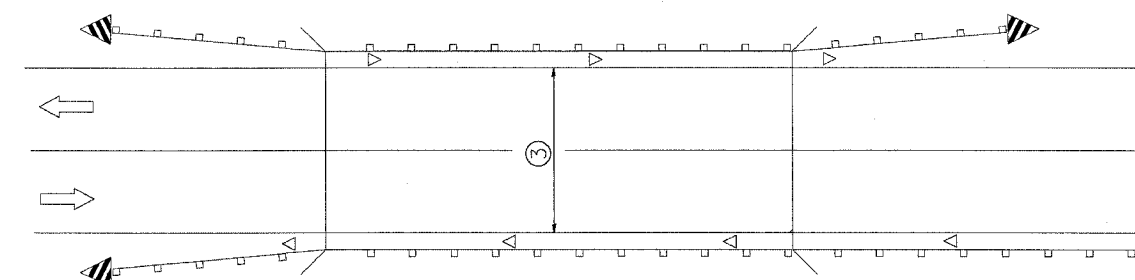
POST MOUNT ONLY WITH TWISTED OR SLOPING TERMINAL WHERE SHEETING CANNOT BE APPLIED DIRECTLY TO TERMINAL.



① SPACING 80 FEET MAX FOR FIRST 400 FEET OR CURVE SPACING SHOWN IN STANDARD 635001, WHICHEVER IS LESS (MIN 4 REFLECTORS REGARDLESS OF LENGTH).

② AFTER 400 FEET, TRANSITION TO NORMAL DELINEATOR SPACING SHOWN IN STANDARD 635001, AND CONTINUE AS REQUIRED.

ONE-WAY TRAFFIC



③ BIDIRECTIONAL SILVER/SILVER SHOULD BE USED IN LIEU OF NONDIRECTIONAL SILVER ON BOTH SIDES OF TWO-LANE BRIDGES WHERE THE PAVEMENT IS LESS THAN 24 INCHES WIDER THAN THE PAVEMENT APPROACHING THE BRIDGE.

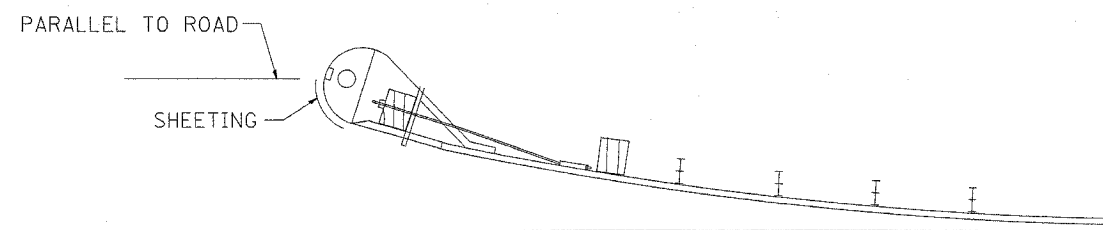
◁ MONODIRECTIONAL SILVER

▲ MONODIRECTIONAL AMBER

▤ TERMINAL MARKER-BLACK/YELLOW LEFT OR RIGHT AS APPROPRIATE

TWO-WAY TRAFFIC

GUARDRAIL / BARRIER WALL / BRIDGE RAIL REFLECTORS



SHEETING POSITION: CASE II

All dimensions are in inches unless otherwise shown.

REFLECTOR AND TERMINAL MARKER PLACEMENT

DETAIL

DETAIL - REFLECTOR AND TERMINAL MARKER PLACEMENT

SN 100-2021