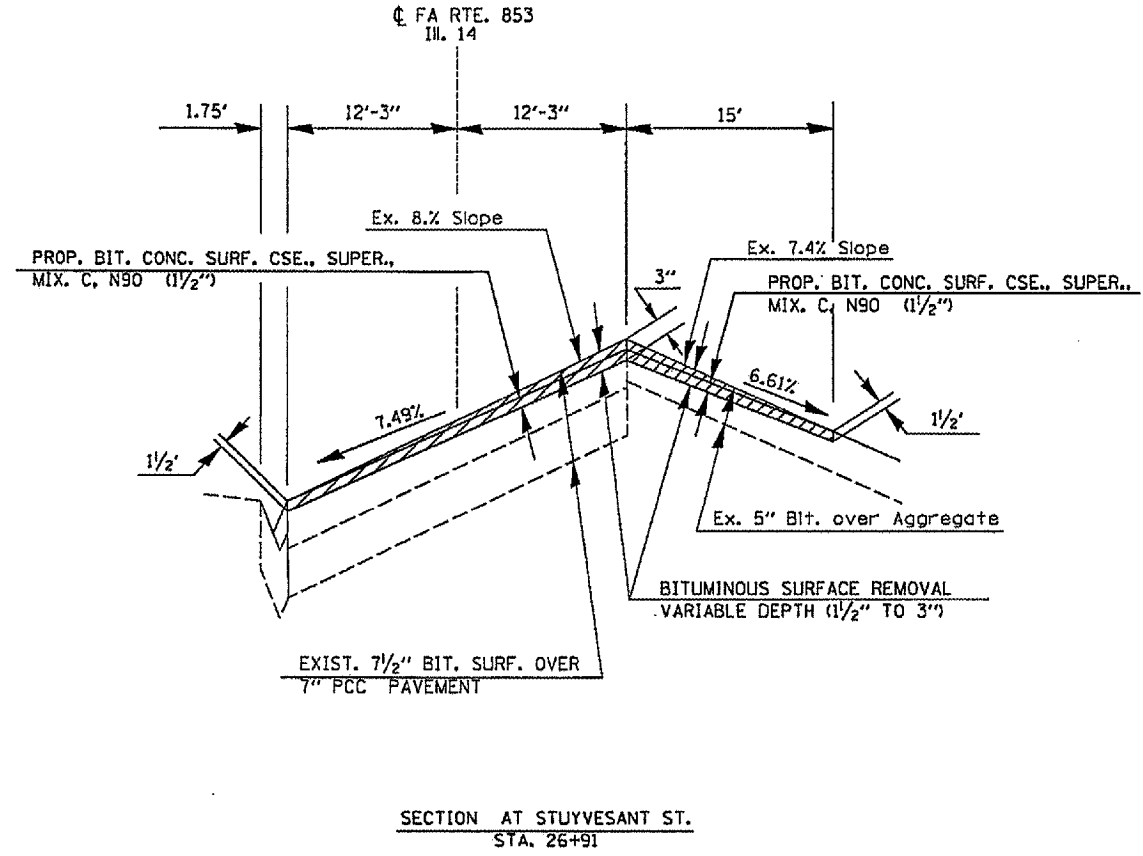
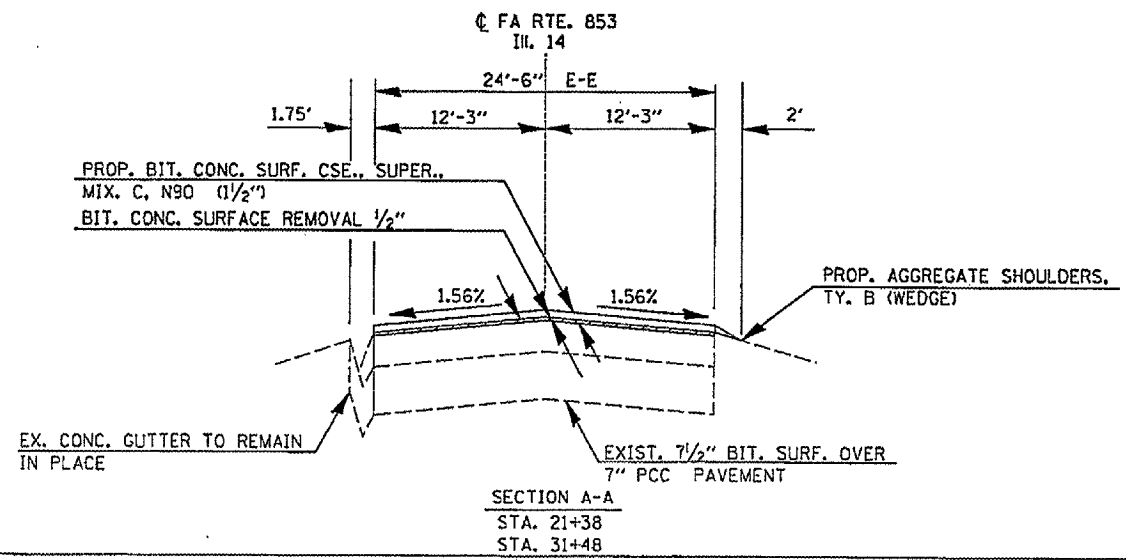
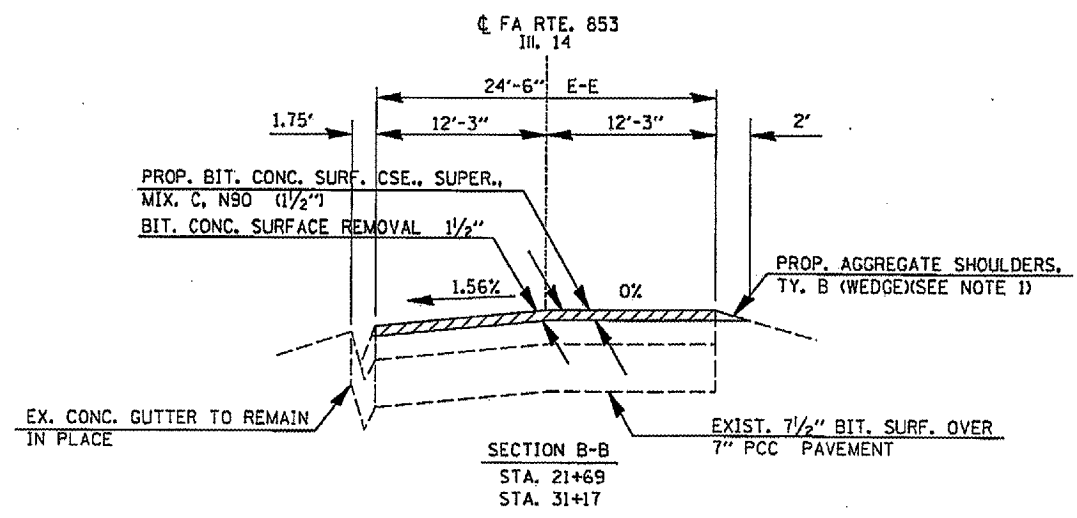
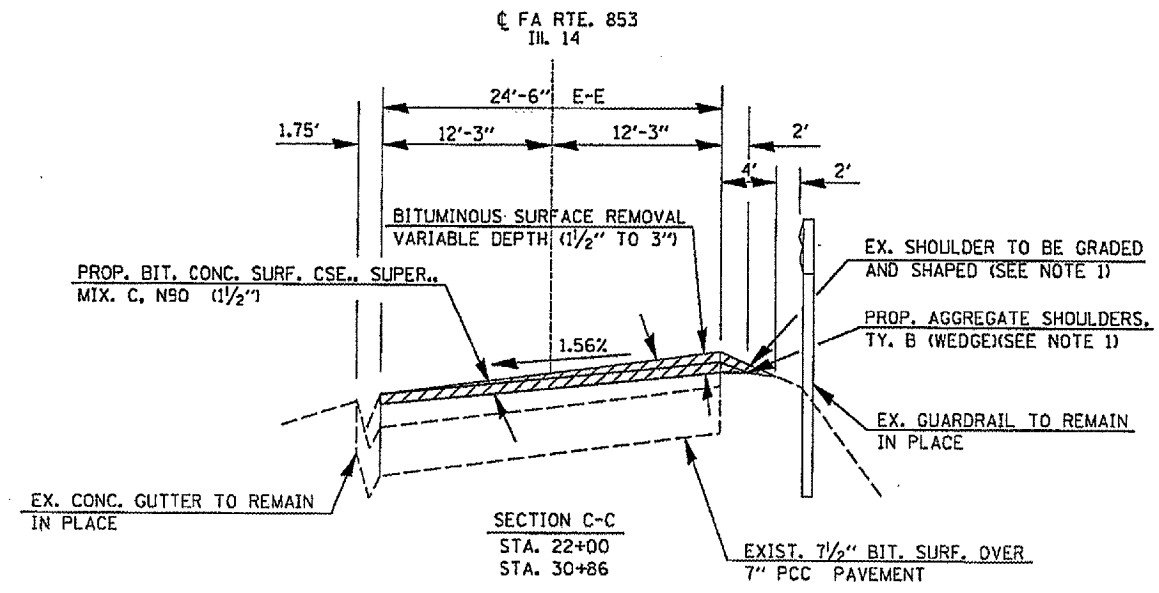


F.A. RYE	SECTION	COUNTY	TOTAL SHEETS	SHEET NO.
853	.	FRANKLIN	27	21
STA.		TO STA.		
FED. ROAD DIST. NO.		ILLINOIS FED. AID PROJECT		
09 SMART FY 2004-1		C.N. 98772		



NOTE 1: GRADING AND SHAPING OF SHOULDERS, WHICH INCLUDES ALL WORK, SHALL BE INCLUDED IN THE COST OF PROPOSED AGGREGATE SHOULDERS, TY. B.