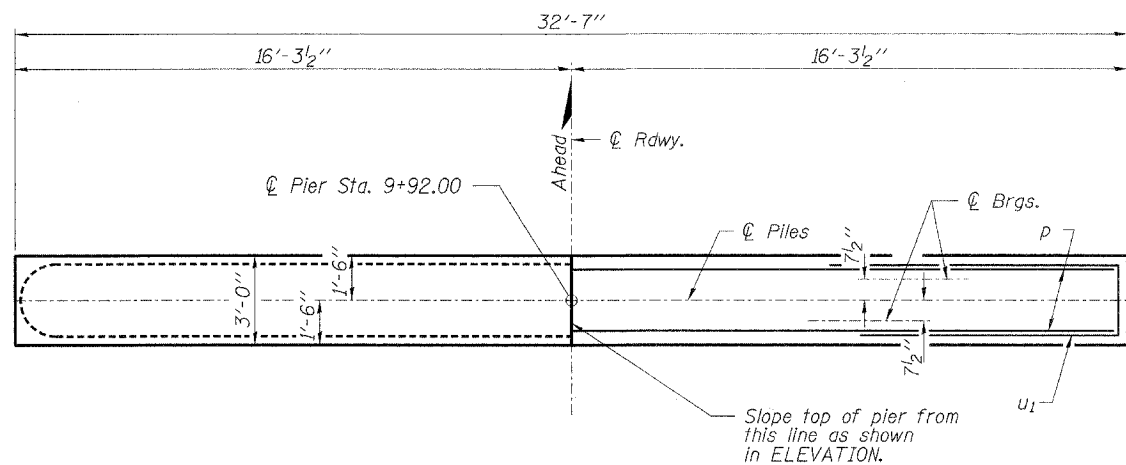
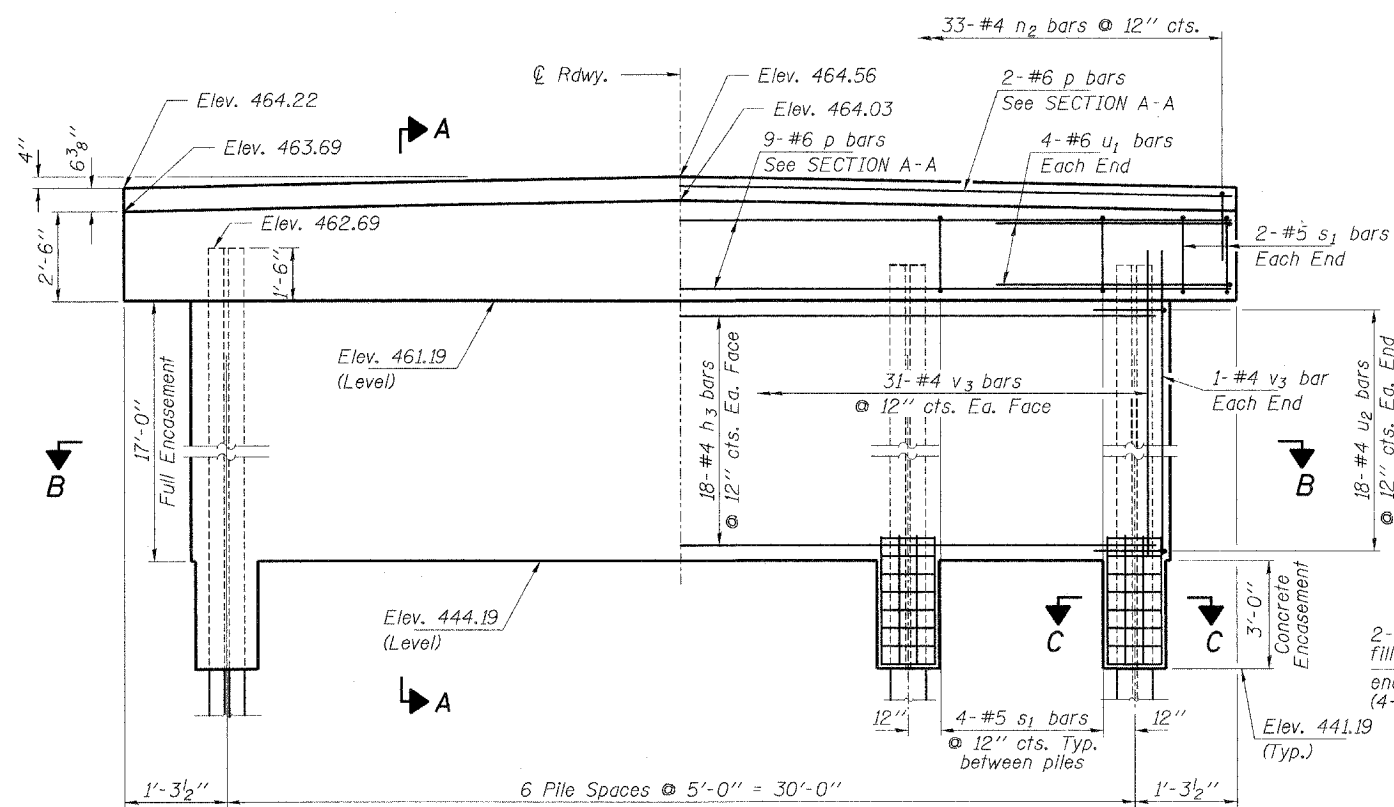


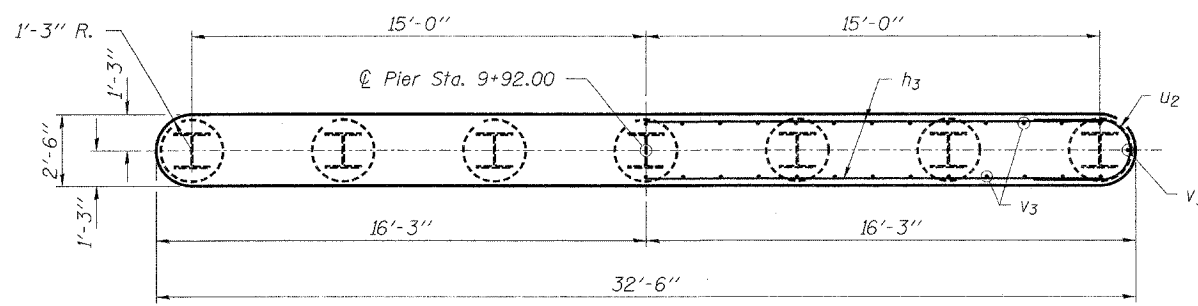
CONTRACT NO. 99203



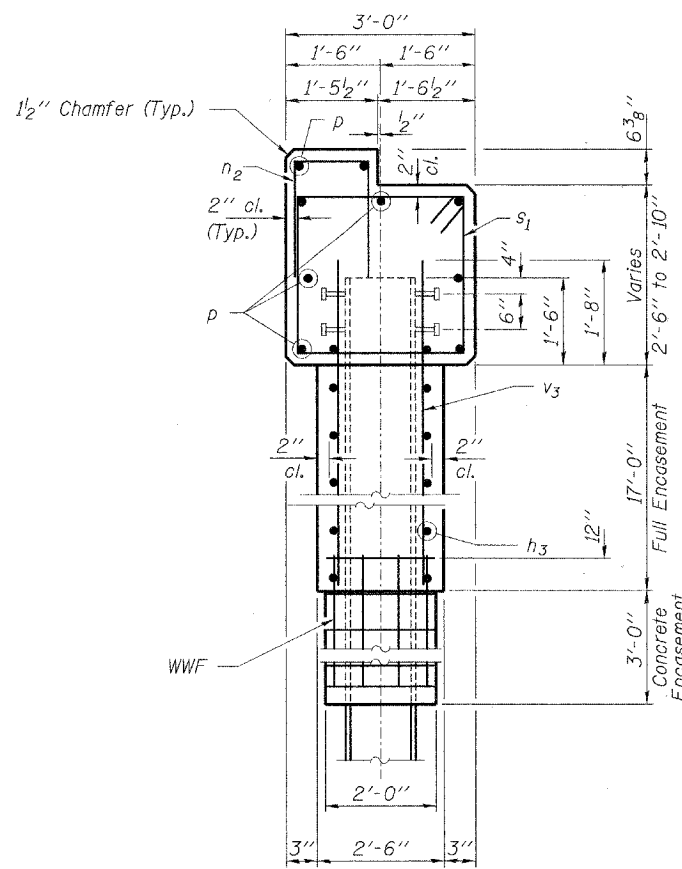
PLAN



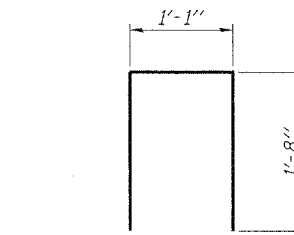
ELEVATION
(Looking East)



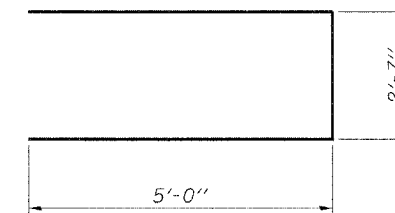
SECTION B-B



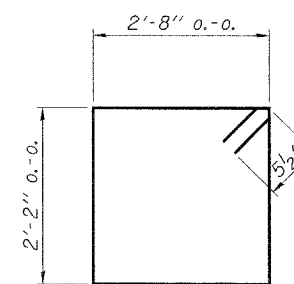
SECTION A-A



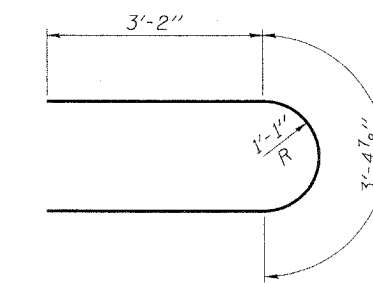
BAR n₂



BAR u₁

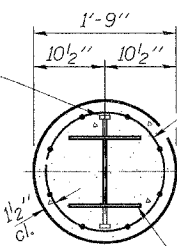


BAR s₁



BAR u₂

2-3/4" φ Granular or solid flux filled headed studs, automatically end welded to each flange. (4-Typ. each pile)



SECTION C-C

Welded Wire Fabric 6x6-W4.0 x W4.0 weighing 58#/100 sq. ft. The cost of Excavation, Concrete Encasement and Reinforcement is included with Furnishing Piles. Forms for Encasement may be omitted when soil conditions permit. No additional payment to be allowed.

HP 10x42

PILE DATA

Type Steel Pile HP 10x42
 No. Req'd 7
 Capacity Drive to Refusal
 Estimated Lengths 68 Feet/Pile

* Includes one Test Pile Steel HP 10x42 to be driven in a permanent location.
 Soil Borings indicate shale layer at approximate elevation 394.0

BILL OF MATERIAL

BAR	NO.	SIZE	LENGTH	SHAPE
h ₃	36	#4	27'-6"	
n ₂	33	#4	4'-5"	□
p	11	#6	32'-4"	
s ₁	28	#5	10'-7"	□
u ₁	8	#6	12'-7"	U
u ₂	36	#4	9'-9"	U
v ₃	64	#4	18'-6"	
Concrete Structures			Cu. Yd.	61.0
Reinforcement Bars			Pound	2,900
Steel Pile HP 10x42			Foot	408
Test Pile Steel HP 10x42			Each	1
Stud Shear Connectors			Each	24

HLR
 Rice, Berry and Associates
 A Division of Hampton, Lenzini and Renwick, Inc.
 Civil & Structural Engineers
 801 S. Durkin Drive
 Springfield, Illinois 62704
 217-546-3400
 P.O. Box 1036
 DuQuoin, Illinois 62832
 618-790-4637
 Account Number 12-47-0016-1
 Date: 10-28-04
 DESIGNED: S.W.M. CHECKED: T.P.L. DRAWN: D.B.

PIER
 F.A.S. 1870 / C.H. 7
 SECTION 03-00136-00-BR
 JACKSON COUNTY
 STR. NO. 039-3249 / STATION 10+04