

**FOUNDATION
BILL OF MATERIAL**

Bar	No.	Size	Length	Shape
t ₁ (E)	174	#5	4'-5"	□
t ₂ (E)	90	#5	3'-10"	□
t ₃ (E)	108	#5	4'-2"	□
t ₄ (E)	120	#5	6'-2"	□
t ₅ (E)	228	#5	1'-8"	□
v ₁ (E)	348	#5	2'-11"	□
v ₂ (E)	174	#5	2'-11"	□
v ₃ (E)	180	#5	5'-1"	□
w ₁ (E)	52	#5	27'-9"	□
w ₂ (E)	52	#5	21'-0"	□
w ₃ (E)	16	#5	23'-3"	□
w ₄ (E)	20	#5	30'-8"	□
w ₅ (E)	16	#5	20'-2"	□
w ₆ (E)	28	#5	29'-8"	□
w ₇ (E)	12	#5	6'-0"	□
Reinforcement Bars, Epoxy Coated			Pound	10,300
Concrete Structures			Cu Yd	112
#5 Bar Splicers			Each	26

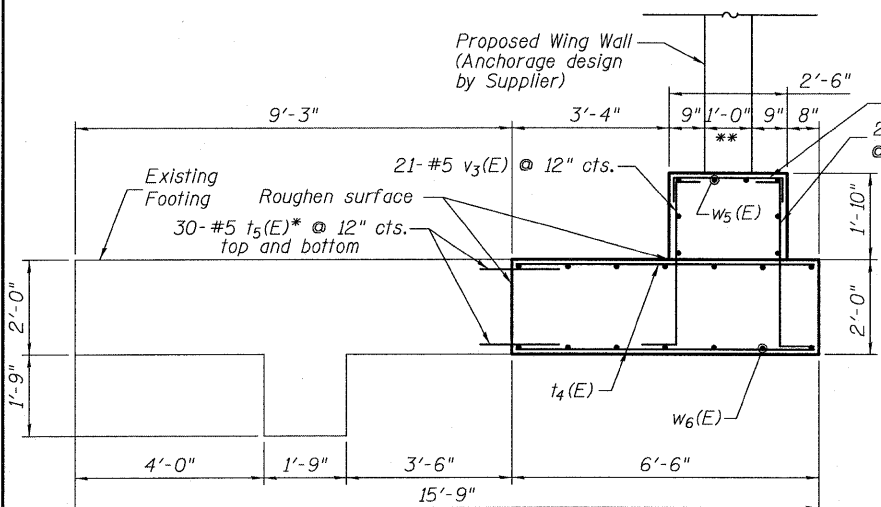
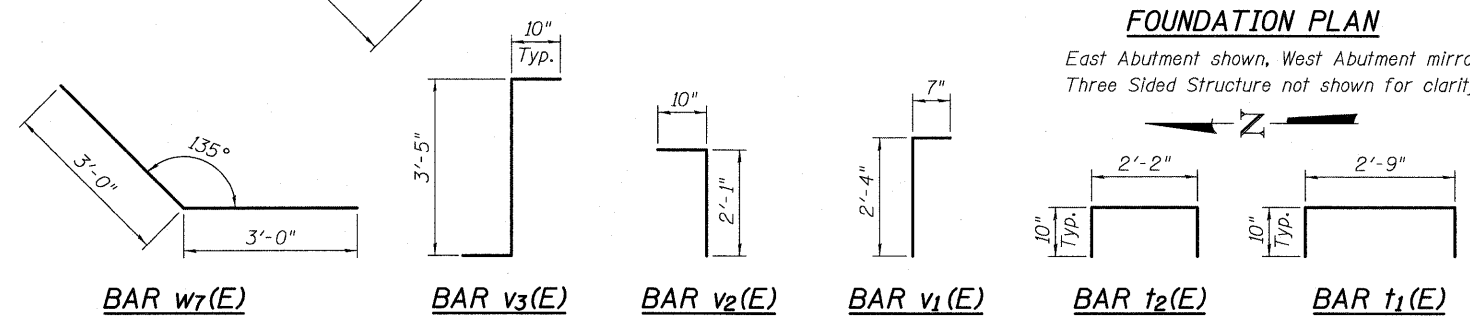
NOTES:
 Reinforcement bars designated (E) shall be epoxy coated.
 Order t₃(E), t₄(E), w₄(E) and w₆(E) full length and field cut bars as required to fit at flared ends.
 Bars indicated thus: 36 x 3-#4 etc., indicates 36 lines of bar with 3 lengths per bar.
 Existing Footing drawn according to existing plans. Contractor to field verify.

MINIMUM BAR LAP
 *5 Bar = 2'-10"

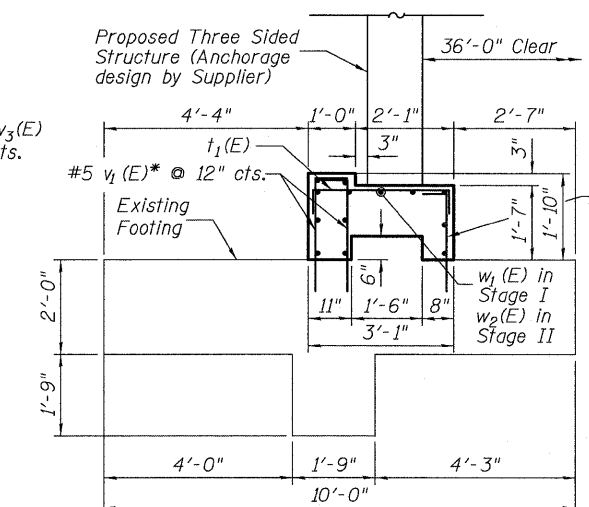
* Epoxy grout bars in 8" min. depth drilled holes in accordance with Section 584 of the Standard Specifications. Cost incidental to Reinforcement Bars, Epoxy Coated.
 ** Thickness may vary as per manufacturer's design.

FOUNDATION PLAN

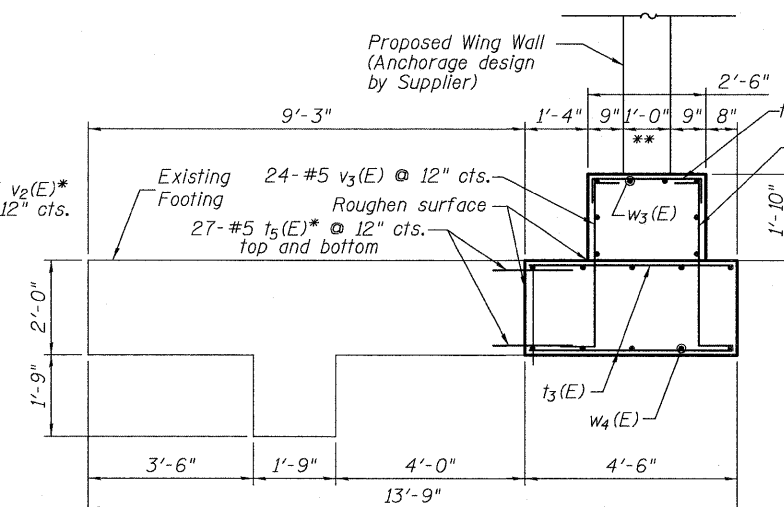
East Abutment shown, West Abutment mirrored.
 Three Sided Structure not shown for clarity.



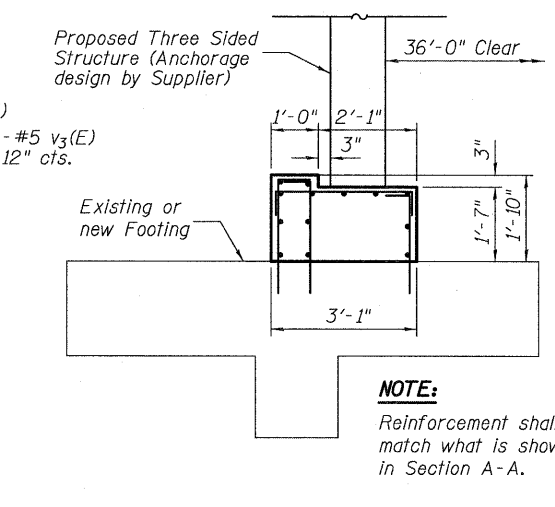
SECTION C-C



SECTION A-A



SECTION B-B



SECTION D-D

NOTE:
 Reinforcement shall match what is shown in Section A-A.

