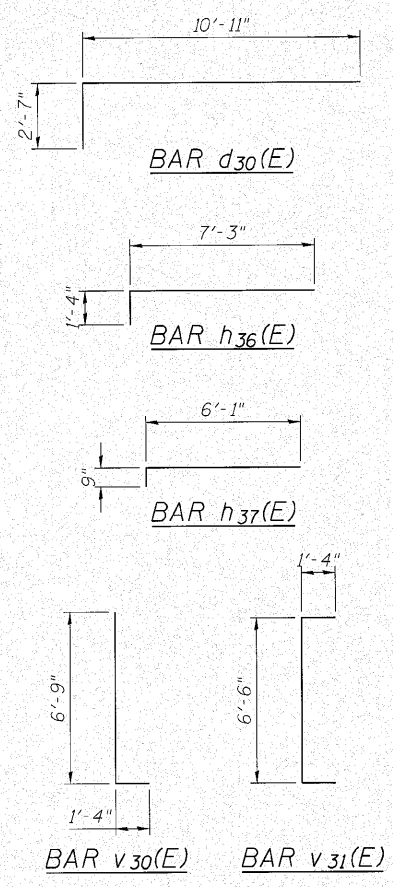
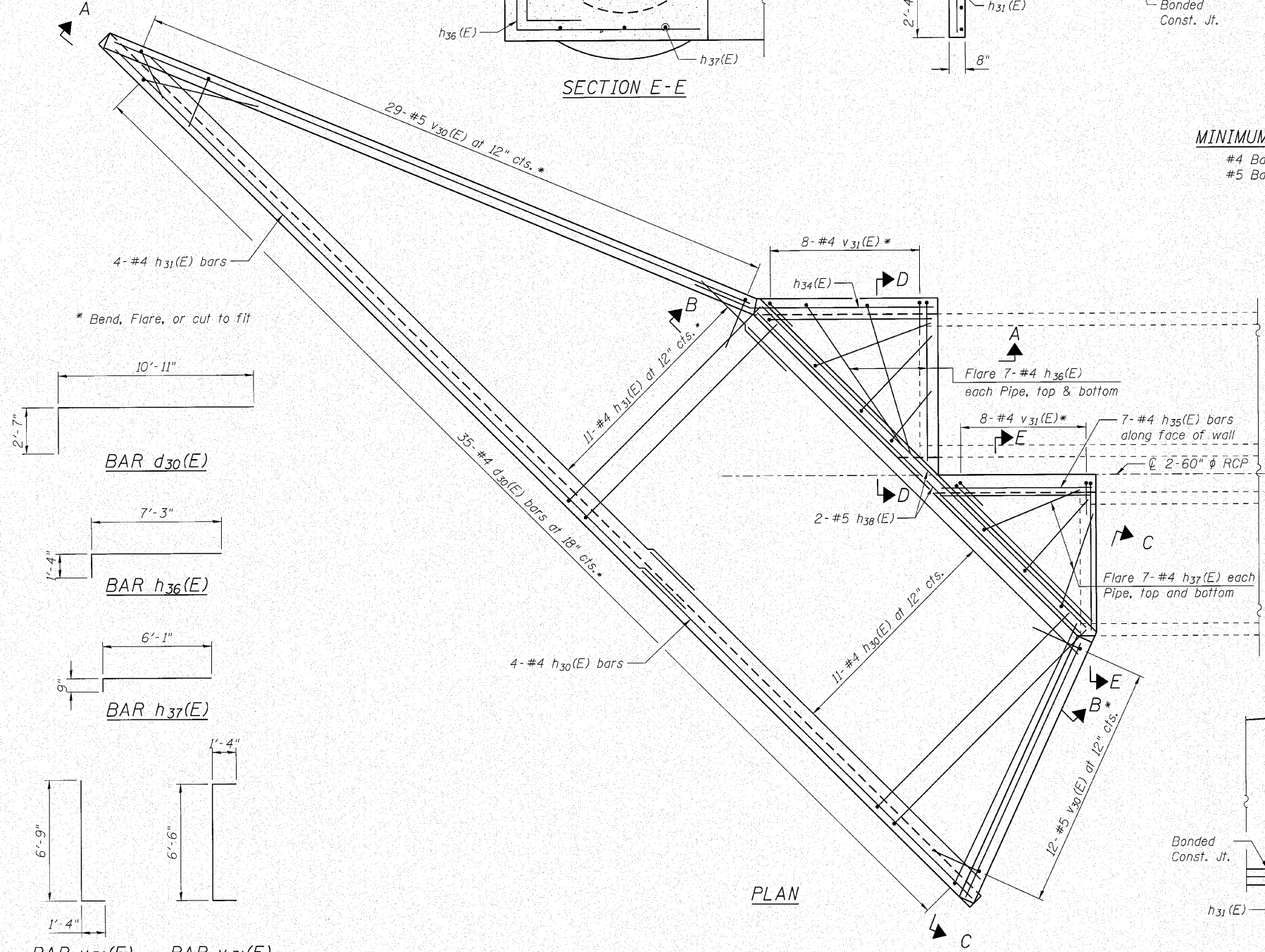
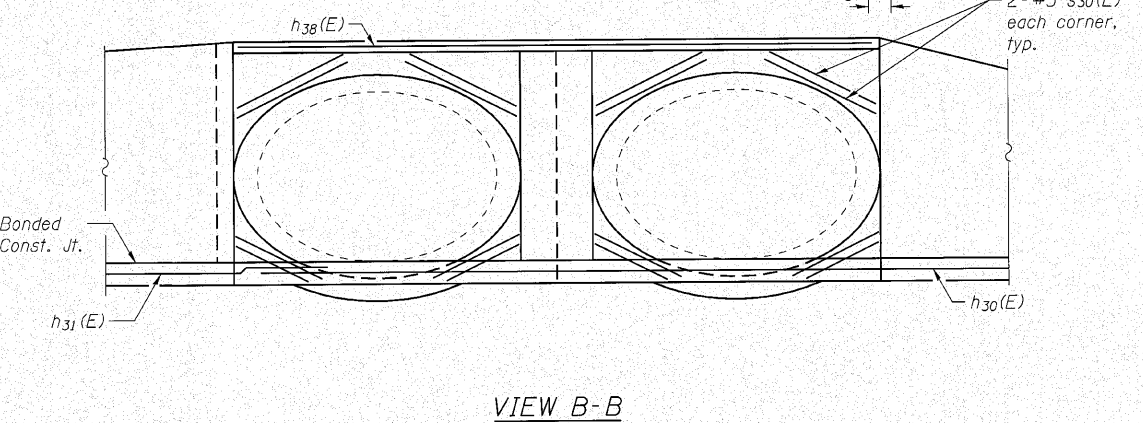
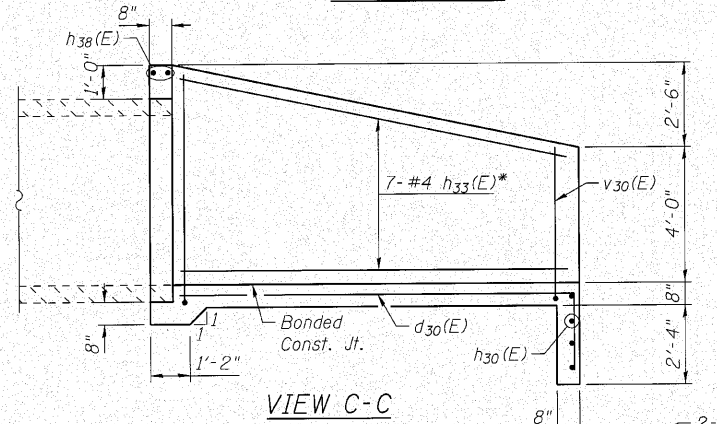


MINIMUM BAR LAP
 #4 Bars = 1'-4"
 #5 Bars = 2'-6"



H:\p\013384\2_west\design\details\3384-Francis Rd Culvert-02 Details L.dgn
 Ciorba Group, Inc.
 CONSULTING ENGINEERS
 3007 North Cumberland Avenue
 Suite 102 Chicago, Illinois 60658
 Tel: 773.778.4214
 Fax: 773.778.4214
 Email: info@cgie.com



USER NAME = mthomas	DESIGNED - AMK	REVISED -
PLOT SCALE =	CHECKED - BWS	REVISED -
PLOT DATE = 10/27/2010	DRAWN - RD	REVISED -
	CHECKED - AMK	REVISED -

STATE OF ILLINOIS
DEPARTMENT OF TRANSPORTATION

HEADWALL DETAILS
FRANCIS ROAD CULVERT HEADWALL
 SHEET NO. 2 OF 2 SHEETS

F.A.I. RTE. 80	SECTION 99-5-Y	COUNTY WILL	TOTAL SHEETS 276	SHEET NO. 192
CONTRACT NO. 60147				
ILLINOIS FED. AID PROJECT				