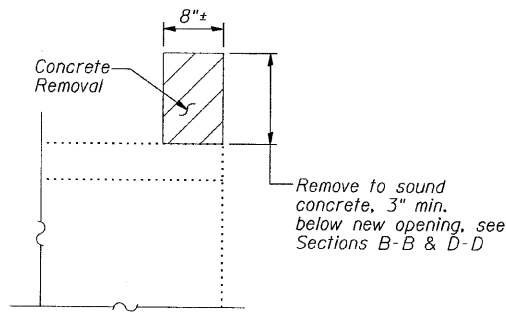


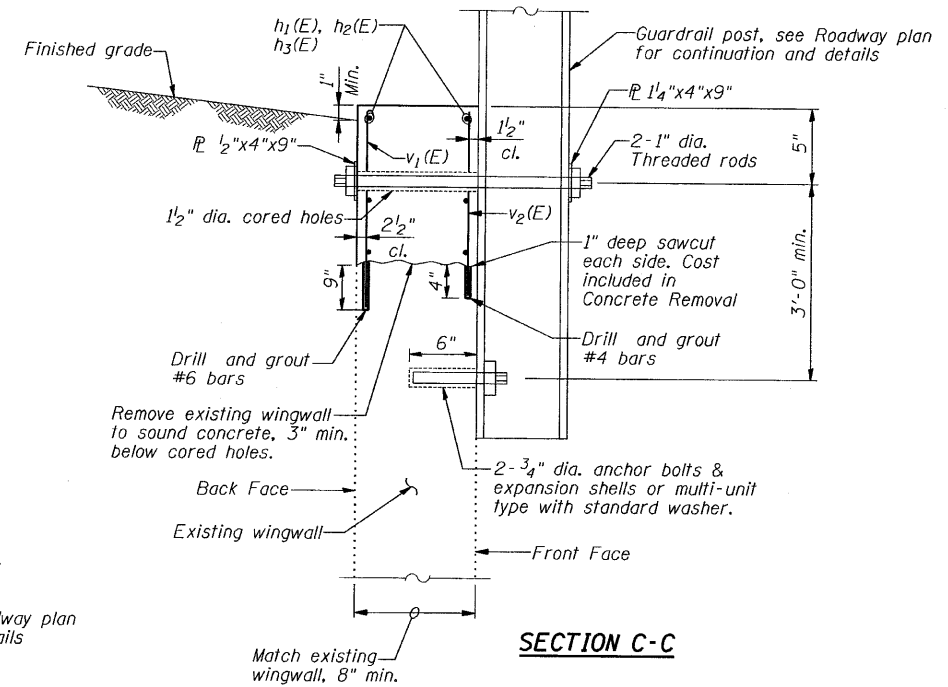
STATE OF ILLINOIS
DEPARTMENT OF TRANSPORTATION

BILL OF MATERIAL

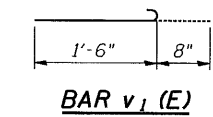
Bar	No.	Size	Length	Shape
$h_1(E)$	6	#5	26'-2"	—
$h_2(E)$	6	#5	22'-6"	—
$h_3(E)$	28	#5	9'-11"	—
$v_1(E)$	124	#6	2'-2"	—
$v_2(E)$	191	#4	1'-4"	—
$v_3(E)$	13	#4	2'-3"	—
Concrete Removal		Cu. Yd.	1.0	
Concrete Superstructure		Cu. Yd.	4.0	
Reinforcement Bars, Epoxy Coated		Pound	1,190	



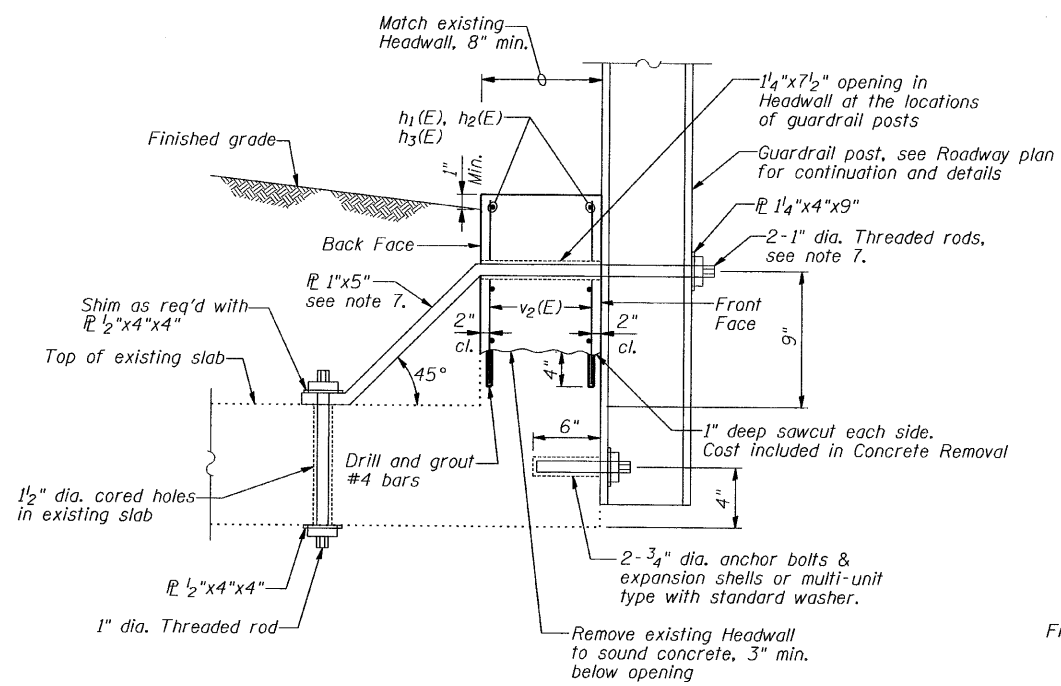
SECTION A-A



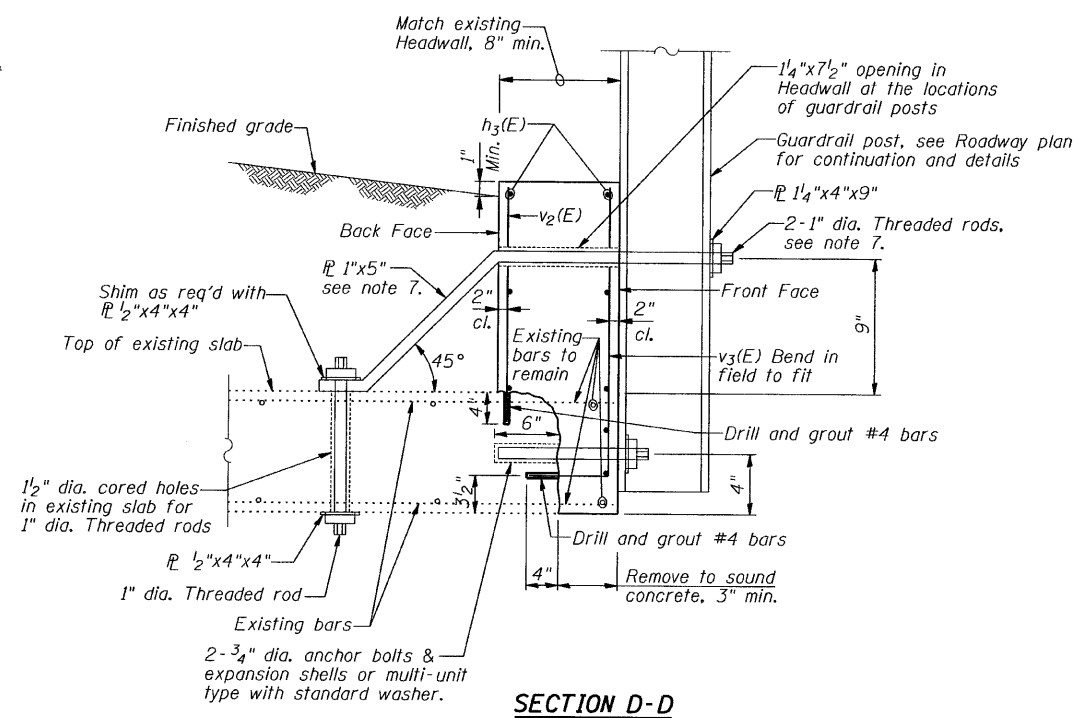
SECTION C-C



BAR $v_1(E)$



SECTION B-B



SECTION D-D

NOTES

- The Headwall shall be constructed entirely of CLASS SI CONCRETE and in accordance with the applicable portions of Section 503 of the Standard Specifications. Reinforcement Bars shall conform to Section 508.
- Reinforcement bars shall conform to the requirements of ASTM A 706 Gr. 60. See Special Provisions.
- Reinforcement bars designated (E) shall be epoxy coated.
- Plan dimensions and details relative to existing plans are subject to nominal construction variations. The Contractor shall field verify existing dimensions and details affecting new construction and make necessary approved adjustments prior to construction or ordering of materials. Such variations shall not be cause for additional compensation for a change in scope of the work, however, the Contractor will be paid for the quantity actually furnished at the unit price bid for the work.
- Drilling and grouting bars shall be in accordance with Section 584 of the Standard Specifications.
- Contractor is to locate the existing reinforcement bars in culverts prior to drilling to avoid damaging existing reinforcement bars.
- For the details of guardrail elements not shown, see Roadway Standard "Guardrail Mounted on Existing Culverts" (Standard 630101-09).
- The cost of the hardware and work for the installation of guardrail posts is included in the Pay Item "Steel Plate Beam Guardrail Attached to Structures".
- Existing reinforcement bars to remain shall be blast cleaned to grey metal and incorporated into new concrete. Cost is included in "Concrete Removal".

GRAEF	10-25-2010
DESIGNED	J.Z.
CHECKED	J.A.Z.
DRAWN	E.U.B.
CHECKED	J.A.Z.

CULVERT HEADWALL EXTENSION

F.A.P. RTE.	SECTION	COUNTY	TOTAL SHEETS	SHEET NO.
*	2010-004-GRR	McHENRY	16	13
* VARIOUS		CONTRACT NO. 60K22		
ILLINOIS FED. AID PROJECT				

h:\jobs\2009\20093023-41\cad\site\ dgn\00\0160k22-ani-Headwall02.dgn
 10/25/2010