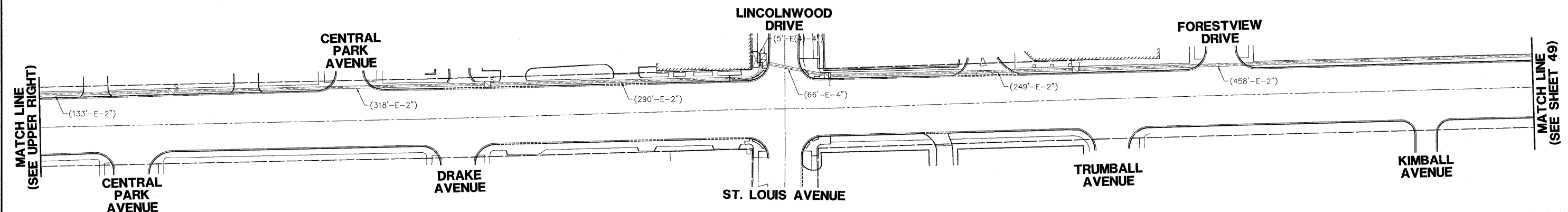
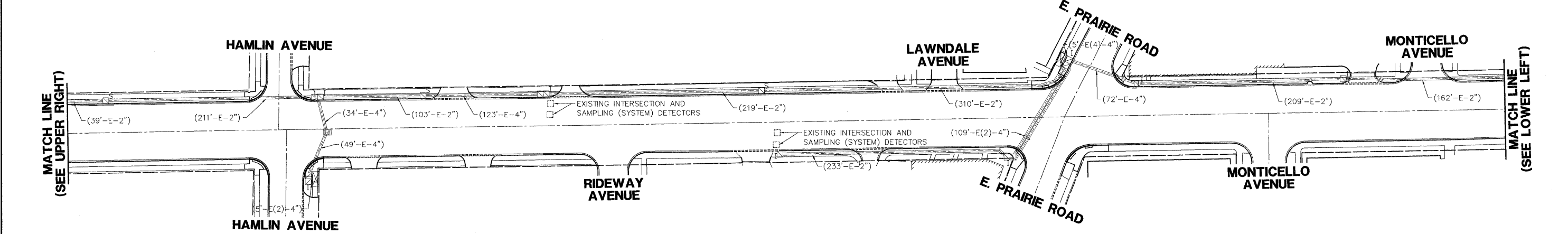
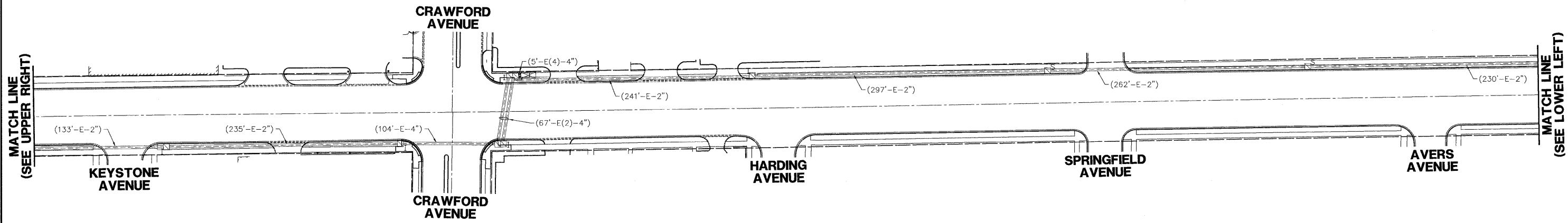
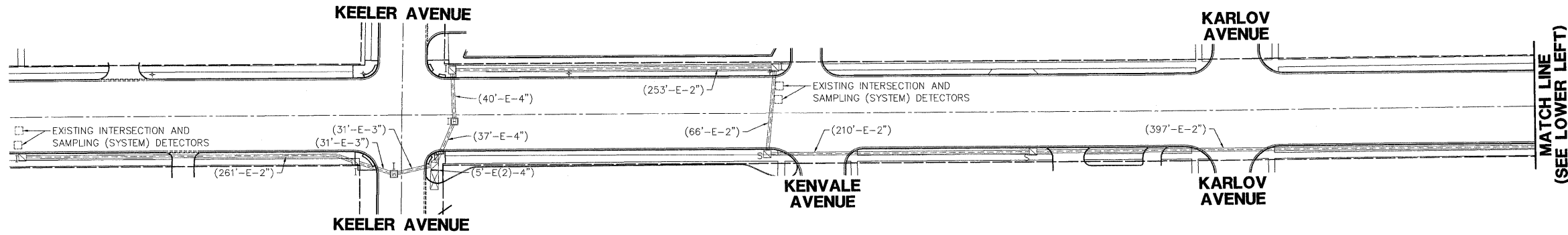


CONSTRUCTION NOTES:

① THE CONTRACTOR SHALL REMOVE ALL EXISTING FIBER OPTIC AND TRACER INTERCONNECT CABLES BETWEEN KEELER AVENUE AND McCORMICK BOULEVARD AFTER THE TEMPORARY RADIO INTERCONNECT IS OPERATIONAL.



FILE NAME = DEMPSTER INTERCONNECT.dwg	USER NAME = ZACH WALLSTEN	DESIGNED - JRD	REVISED -	STATE OF ILLINOIS DEPARTMENT OF TRANSPORTATION	INTERCONNECT PLAN (SHEET 1 OF 2) DEMPSTER ST FROM KEELER AV TO McCORMICK BLVD			F.A.P. RTE. VARIES	SECTION 2010-006TS	COUNTY COOK	TOTAL SHEETS 58	SHEET NO. 48
PLOT SCALE = 1" = .0833'		DRAWN - ZCW	REVISED -		SCALE 1"=20'	SHEET NO.	OF SHEETS	STA.	TO STA.	CONTRACT #: 60K24		
PLOT DATE = 10/29/2010		CHECKED - KLB	REVISED -		ILLINOIS FED. AID PROJECT							
		DATE - 10/29/2010	REVISED -		GHA #4085.868-871							