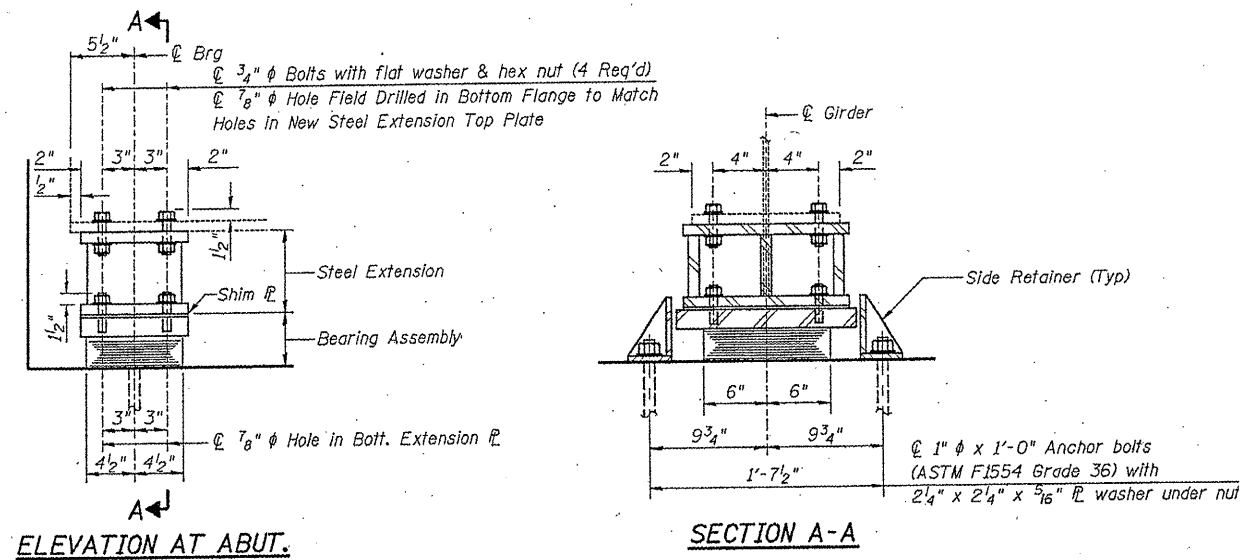
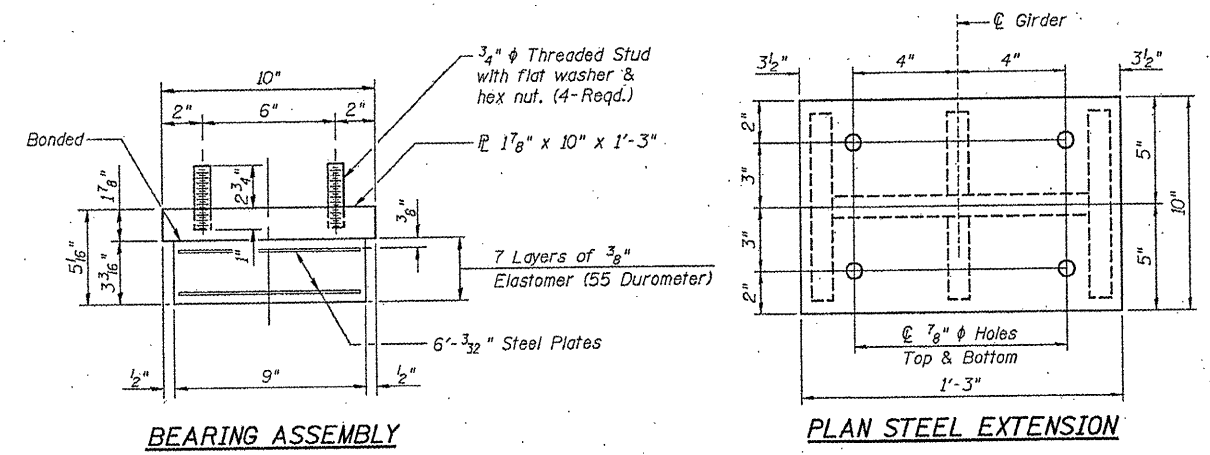


ROUTE FAI 57	SECTION 2010-087-BP	COUNTY COOK & WILL	TOTAL SHEETS 32	SHEET NUMBER 15
------------------------	-------------------------------	------------------------------	---------------------------	---------------------------

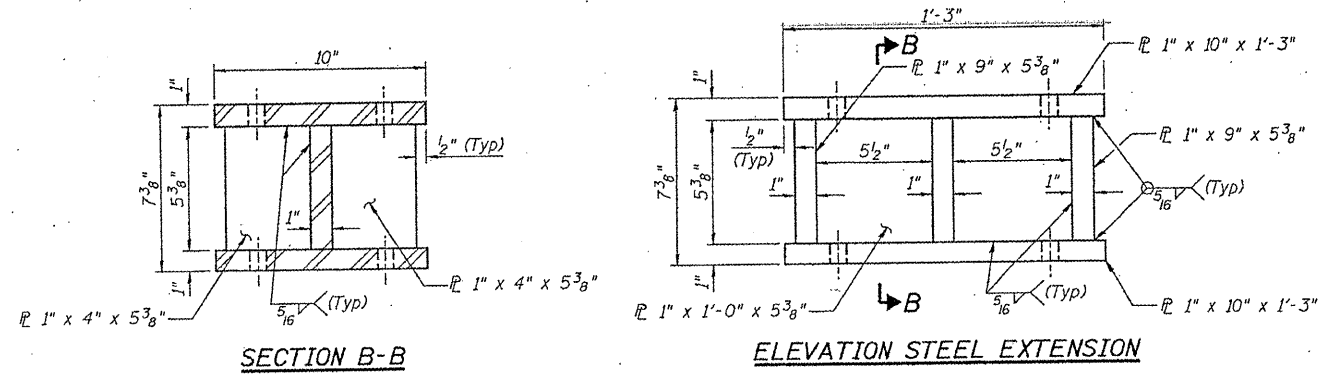
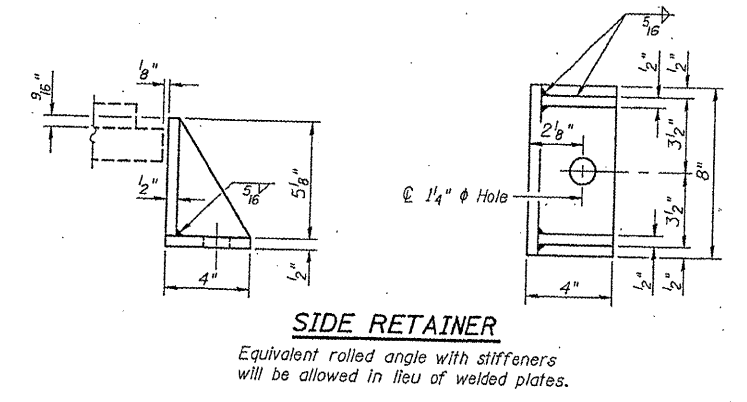
CONTRACT NO. 60L83



TYPE I ELASTOMERIC EXP. BRG.



Note:
 Shim plates shall not be placed under Bearing Assembly.



ILLINOIS DEPARTMENT OF TRANSPORTATION
EXISTING BRIDGE PLAN
 SN 016-2127
 103rd ST. over I-57