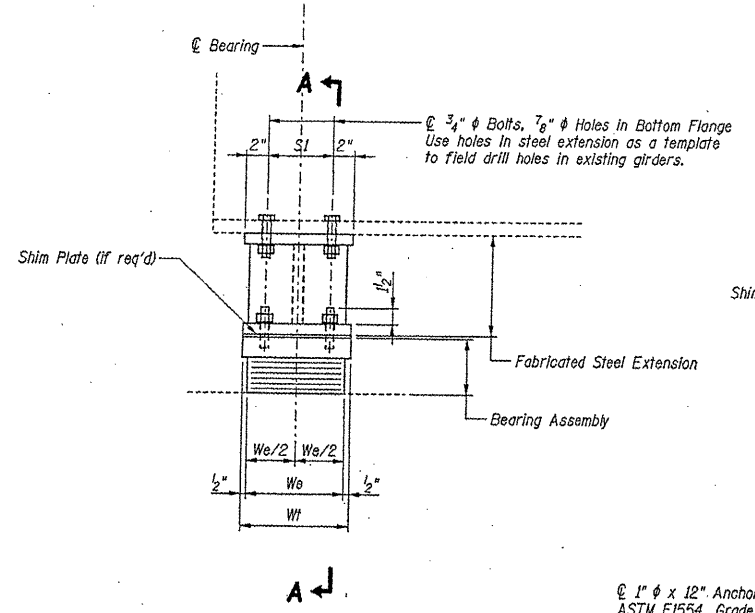


ROUTE	SECTION	COUNTY	TOTAL SHEETS	SHEET NUMBER
FAI 57	2010-087-BP	COOK & WILL	32	18

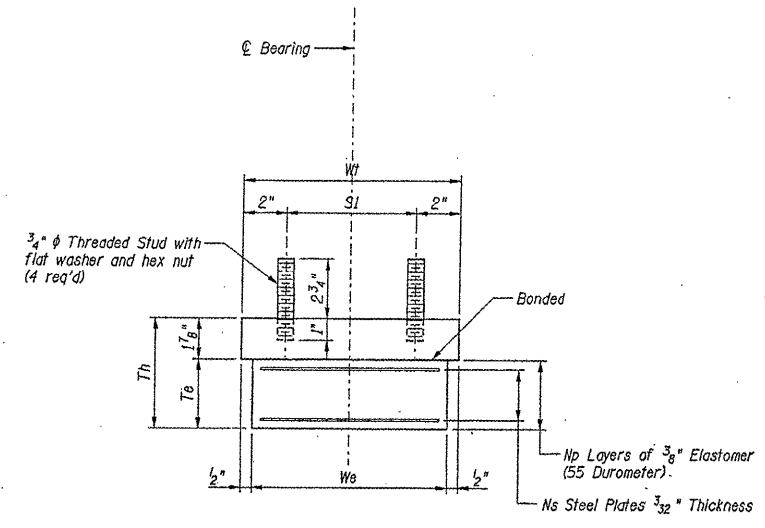
CONTRACT NO. 60L83



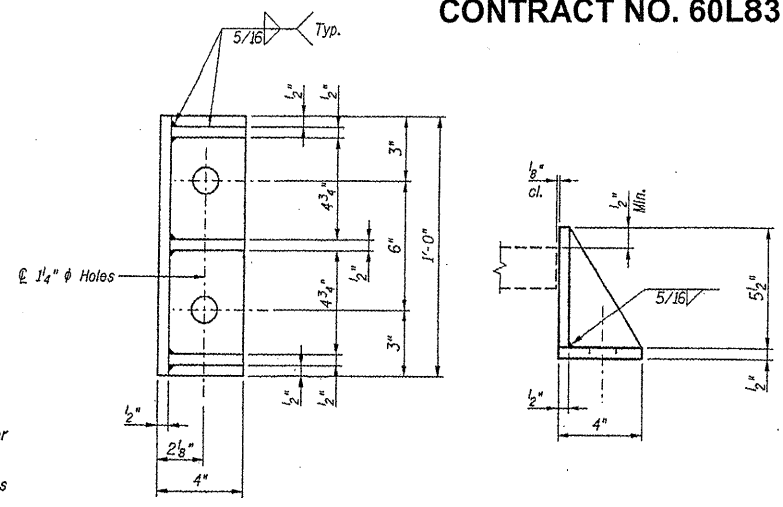
ELEVATION

ϕ 1" ϕ x 12" Anchor Bolts
 ASTM F1554, Grade 36 with
 24" x 24" x 5/16" E washer
 under nut

SECTION A-A

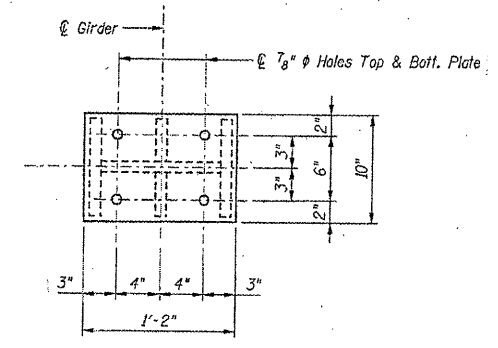


BEARING ASSEMBLY

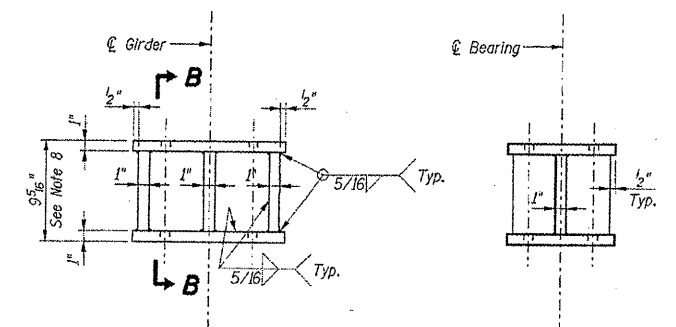


SIDE RETAINER

TYPE I ELASTOMERIC EXPANSION BEARING



PLAN STEEL EXTENSION



ELEVATION STEEL EXTENSION

SECTION B-B

Notes
 Weight included with Furnish and Erect Structural Steel.

FABRICATED STEEL EXTENSION

ILLINOIS DEPARTMENT OF
 TRANSPORTATION

 EXISTING BRIDGE PLAN

 SN 016-0989
 111th ST. over I-57