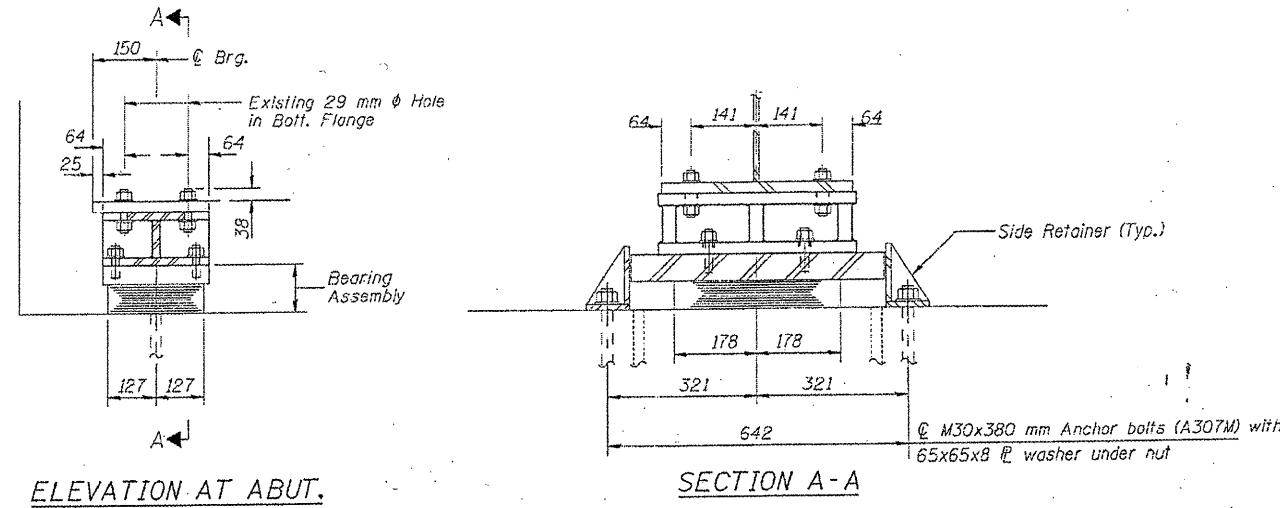


ROUTE FAI 57	SECTION 2010-087-BP	COUNTY COOK & WILL	TOTAL SHEETS 32	SHEET NUMBER 28
-----------------	------------------------	-----------------------	--------------------	--------------------

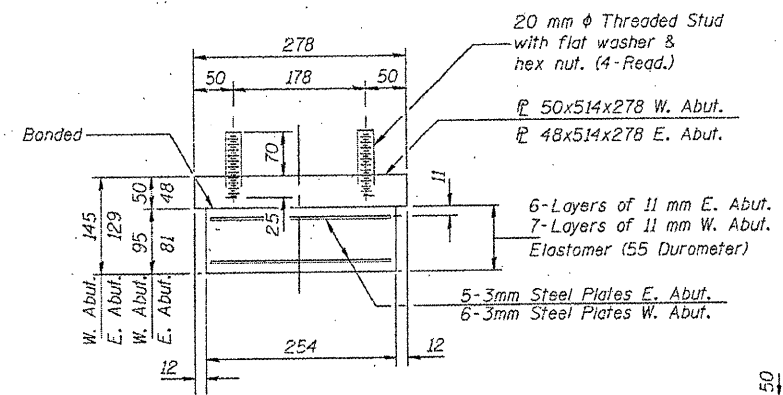
CONTRACT NO. 60L83



ELEVATION AT ABUT.

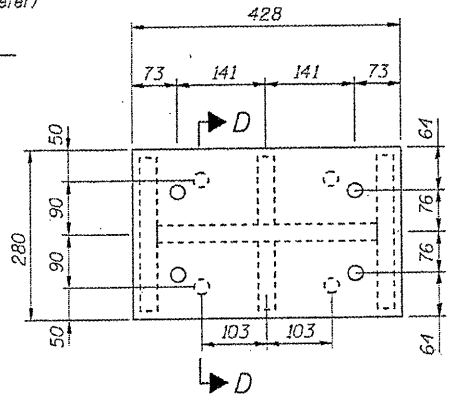
SECTION A-A

**TYPE I ELASTOMERIC EXP. BRG.**

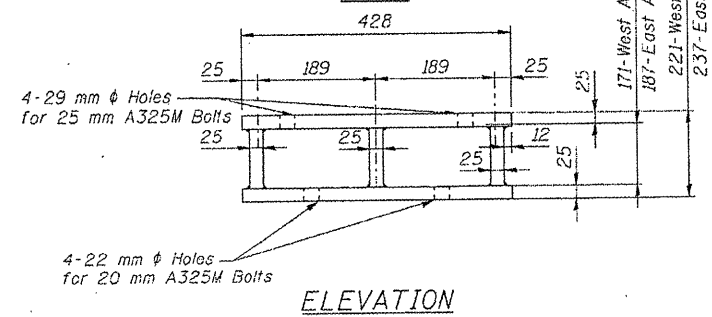


BEARING ASSEMBLY

Note: Shim plates shall not be placed under Bearing Assembly.

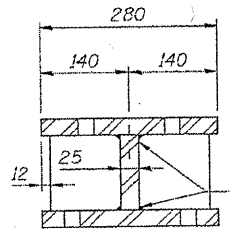


PLAN

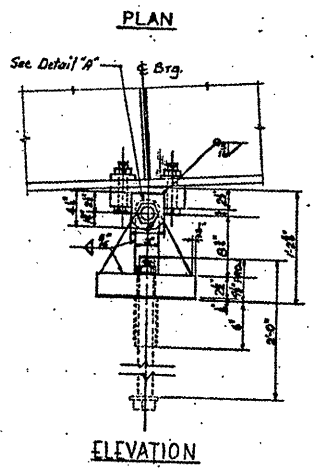
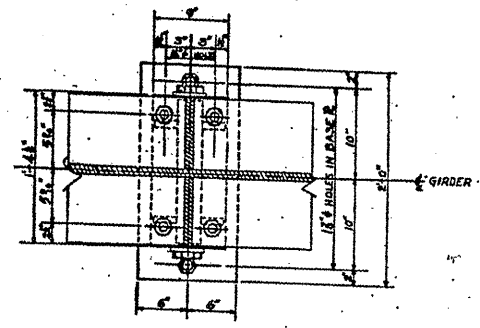


ELEVATION

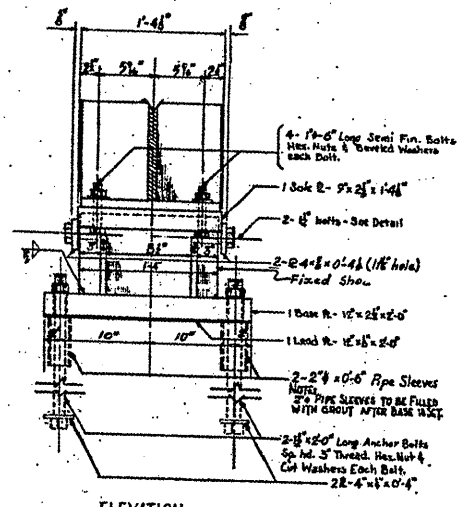
**EXPANSION STEEL EXTENSION AT ABUTMENTS**



SECTION D-D

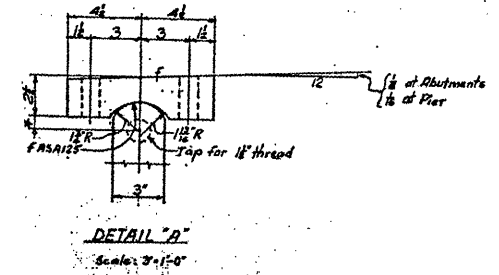


ELEVATION

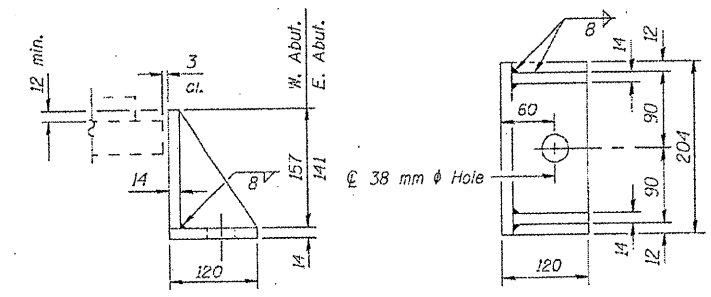


ELEVATION

**FIXED BEARING FOR PIER**  
6 REQ'D



DETAIL 'A'  
Scale: 3/4"=1'-0"



SIDE RETAINER

Equivalent rolled angle with stiffeners will be allowed in lieu of welded plates.

**ILLINOIS DEPARTMENT OF TRANSPORTATION**

**EXISTING BRIDGE PLAN**

SN 016-2034  
125<sup>th</sup> ST. over I-57