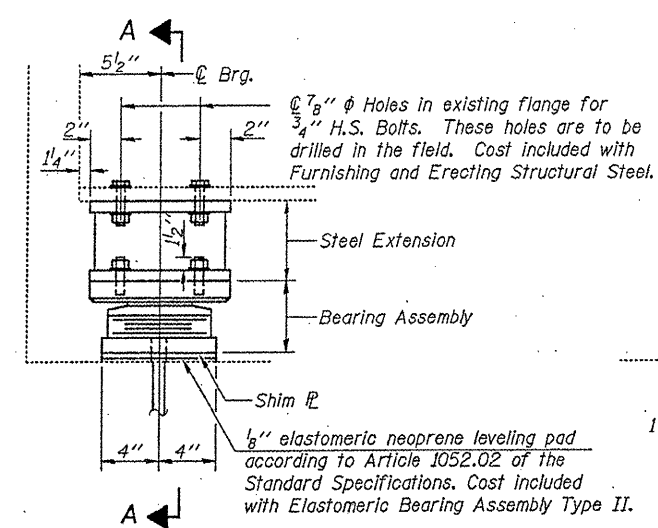
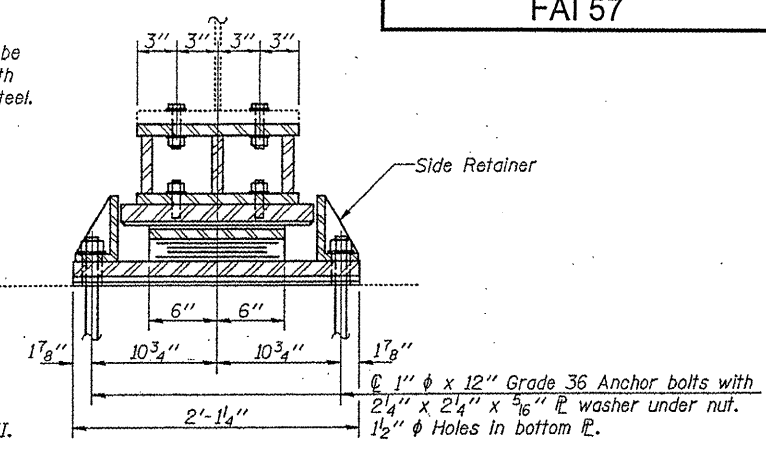


ROUTE FAI 57	SECTION 2010-087-BP	COUNTY COOK & WILL	TOTAL SHEETS 32	SHEET NUMBER 31
------------------------	-------------------------------	------------------------------	---------------------------	---------------------------

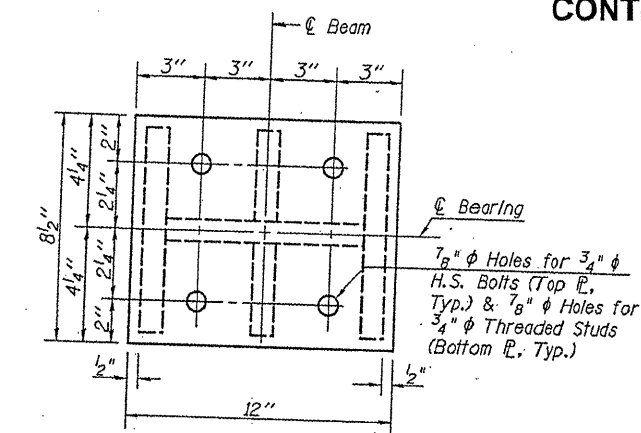
CONTRACT NO. 60L83



ELEVATION AT ABUT.

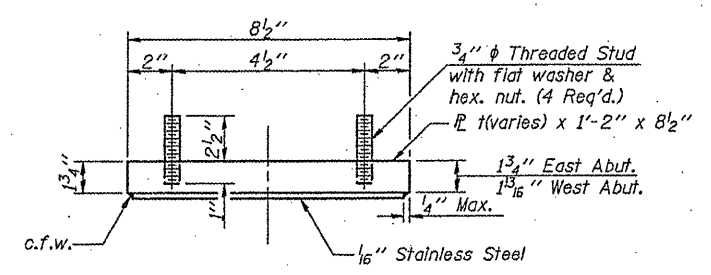


SECTION A-A

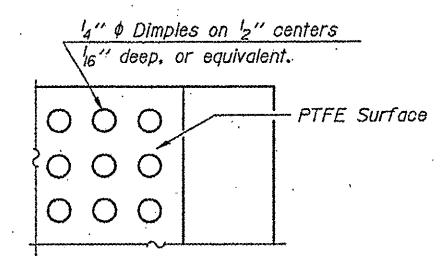


STEEL EXTENSION PLAN

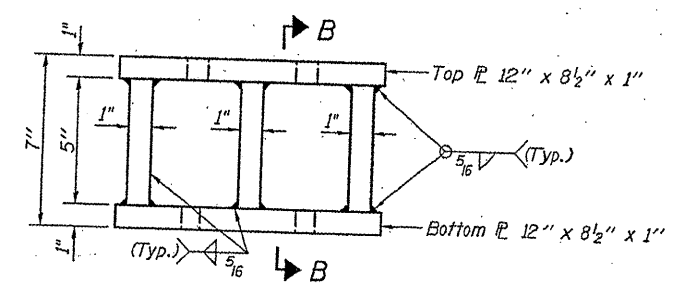
TYPE II ELASTOMERIC EXP. BRG.



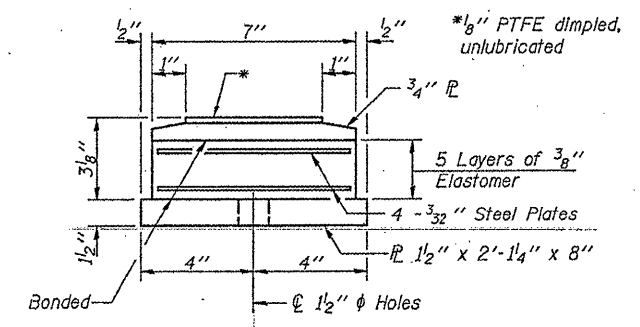
TOP BEARING ASSEMBLY



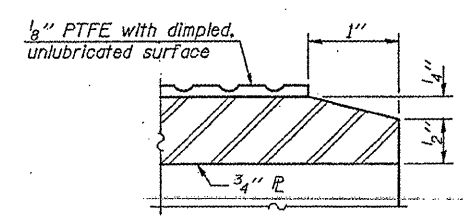
PLAN-PTFE SURFACE



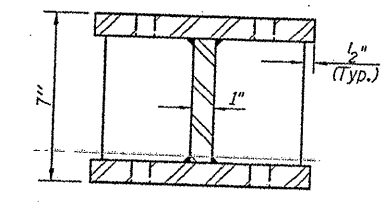
STEEL EXTENSION ELEVATION



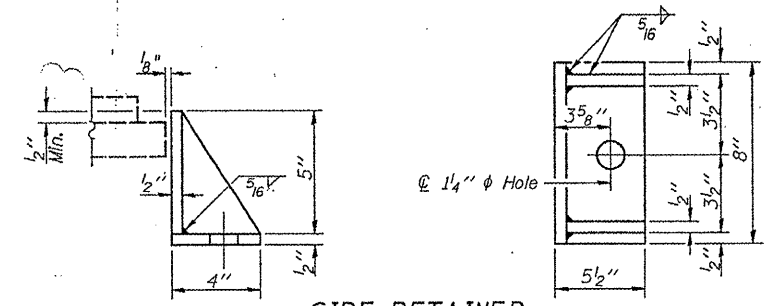
BOTTOM BEARING ASSEMBLY



SECTION THRU PTFE

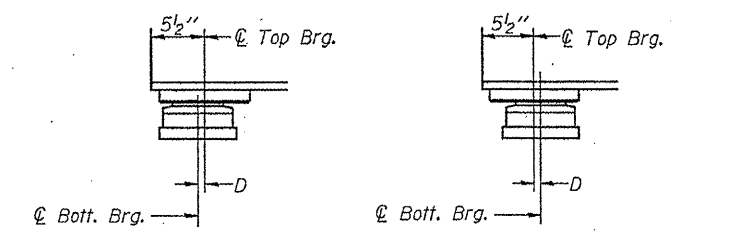


SECTION B-B



SIDE RETAINER

Equivalent rolled angle with stiffeners will be allowed in lieu of welded plates.



SETTING ANCHOR BOLTS AT EXP. BRG.

D = 1/8" per each 100' of expansion for every 15° temp. change from the normal temp. of 50°F.

ILLINOIS DEPARTMENT OF TRANSPORTATION

EXISTING BRIDGE PLAN

SN 099-0162

N. PEOTONE RD. over I-57