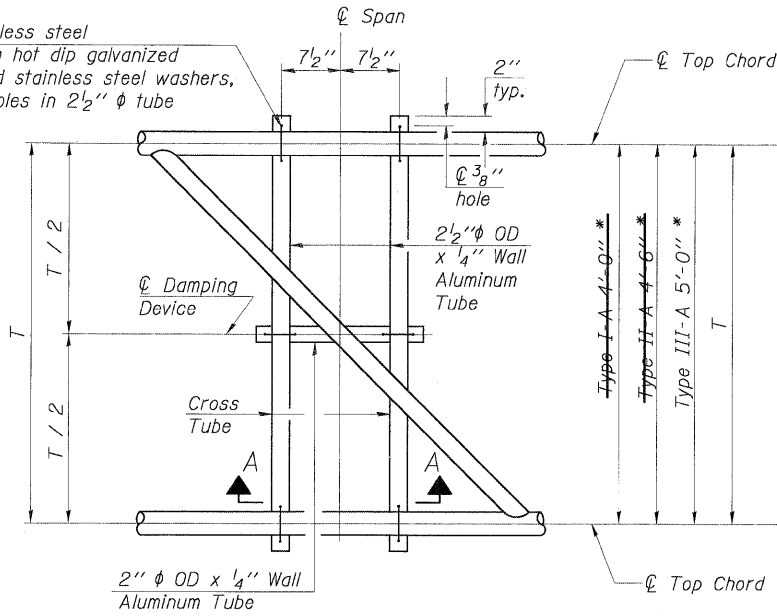
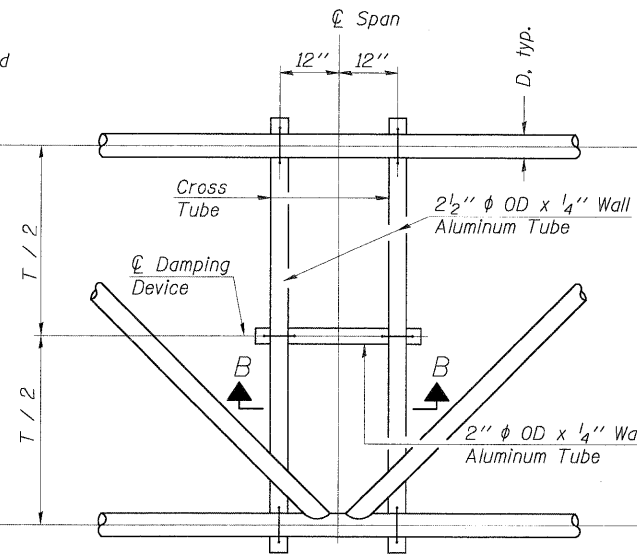


5/16" φ stainless steel
U- bolt with hot dip galvanized
locknuts and stainless steel washers,
typ. 3/8" φ holes in 2 1/2" φ tube



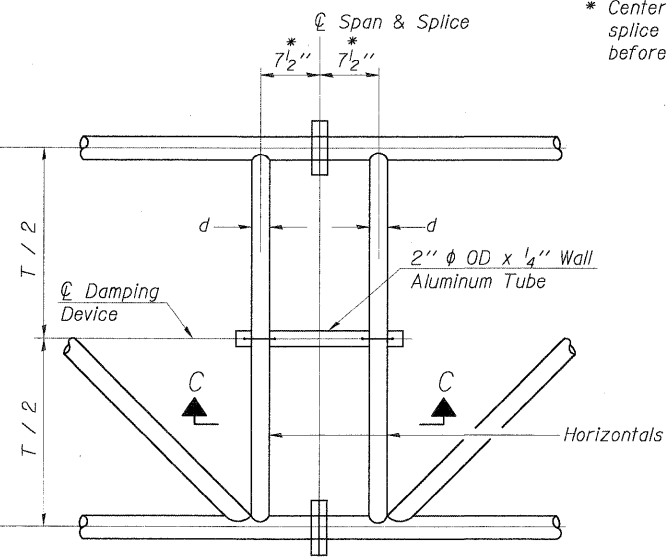
PLAN DETAIL "A"

Span between Panel Points



PLAN DETAIL "B"

Span at Panel Point



PLAN DETAIL "C"

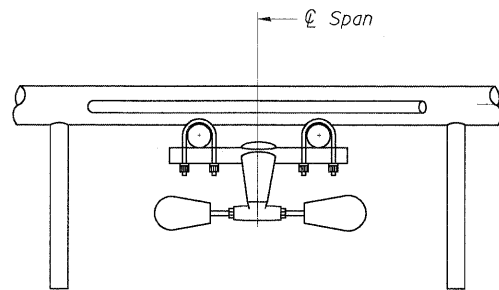
Span at Chord Splice

* Center of horizontal to center of
splice dimension may vary. Verify
before drilling holes in mounting tube.

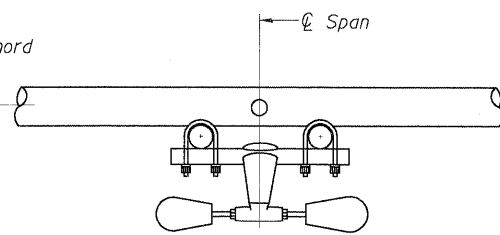
NOTES

Damper: One damper per truss. (31 lbs. minimum Stockbridge-Type Aluminum - 29" minimum between ends of weights) Cost included in Overhead Sign Structure...

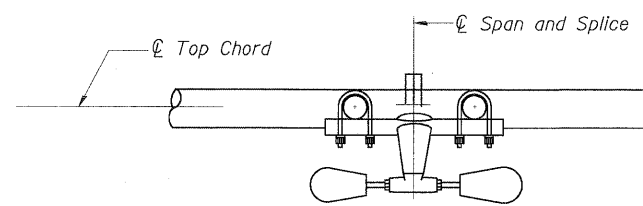
Materials: Materials: Aluminum tubes shall be ASTM B221 alloy 6061 temper T6. Cost included in Overhead Sign Structure...



SECTION A-A

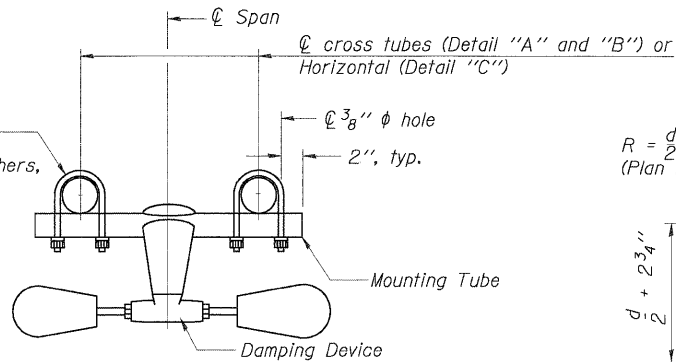


SECTION B-B

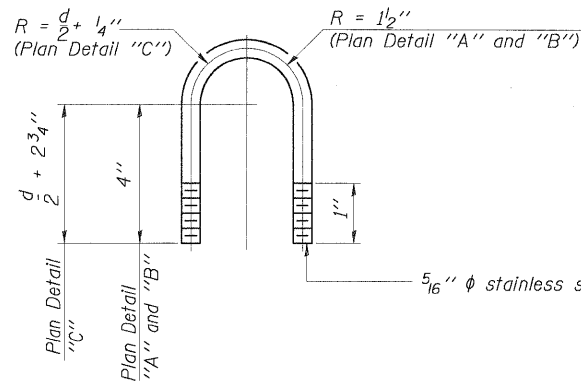


SECTION C-C

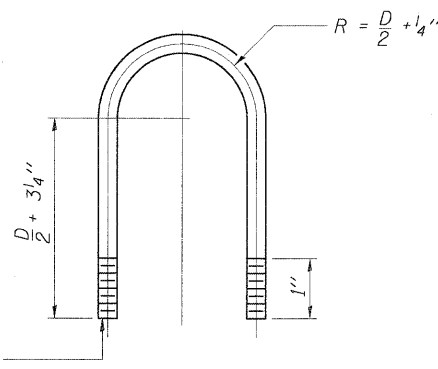
5/16" φ stainless steel
U- bolt with hot dip galvanized
locknuts and stainless steel washers,
typ. 3/8" φ holes in mounting tube



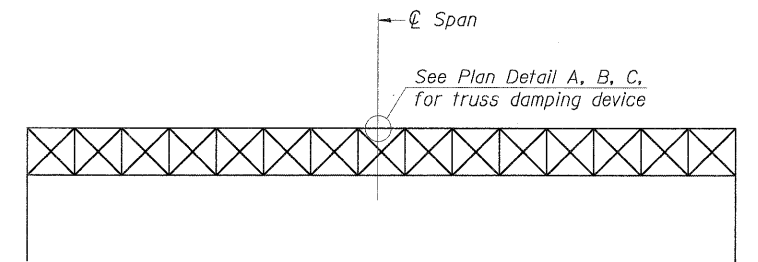
**TRUSS DAMPING
DEVICE CONNECTION DETAIL**
(Typical)



**DAMPING DEVICE MOUNTING
TUBE U-BOLT DETAIL**
(Typical)



**TOP CHORD TO CROSS TUBE
U-BOLT DETAIL**
(Typical - Detail "A" and "B")



ELEVATION
Aluminum Overhead
Sign Truss

N:\Tides\070122_070203\Structure\09122-94.SHT

<p>CHRISTOPHER B. BURKE ENGINEERING, LTD. 9575 W. Higgins Road, Suite 600 Rosemont, Illinois 60018 (847) 823-0500</p>	USER NAME = PRAZALAN	DESIGNED - JMB	REVISED -	STATE OF ILLINOIS DEPARTMENT OF TRANSPORTATION	F.A.I. 80 FOR NS RAILROAD TO US 45 OVERHEAD SIGN STRUCTURE DAMPING DEVICE			F.A.I. RTE. 80	SECTION 99 (5&5-1) Y-1	COUNTY WILL	TOTAL SHEETS 188	SHEET NO. 188L
	PLOT SCALE = 1"	CHECKED - MM	REVISED -					CONTRACT NO. 60M59				
	PLOT DATE = 12/23/2010	DATE - 12/23/2010	REVISED -					ILLINOIS FED. AID PROJECT				
								SCALE:	SHEET NO. OF SHEETS	STA. TO STA.		