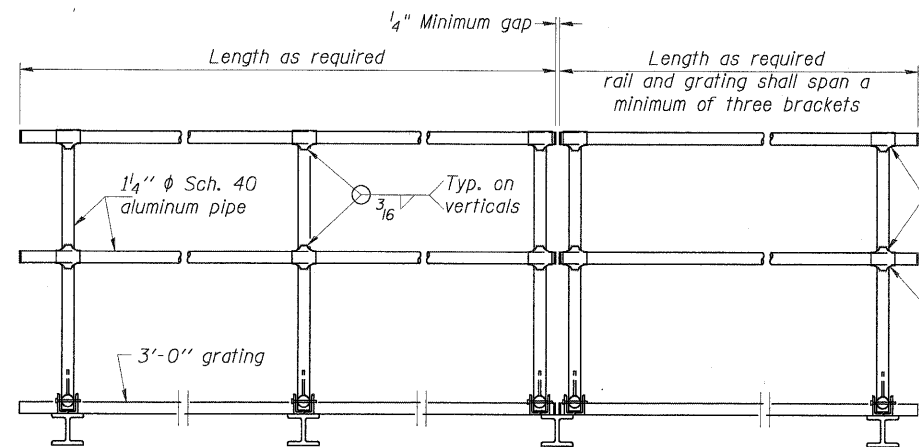
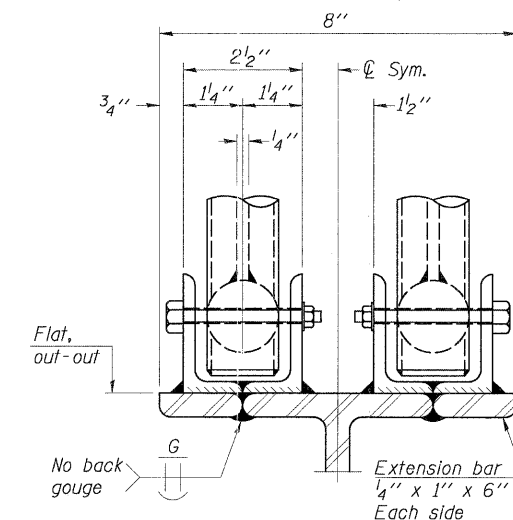


SIDE ELEVATION
(Showing safety chain w/o sign)



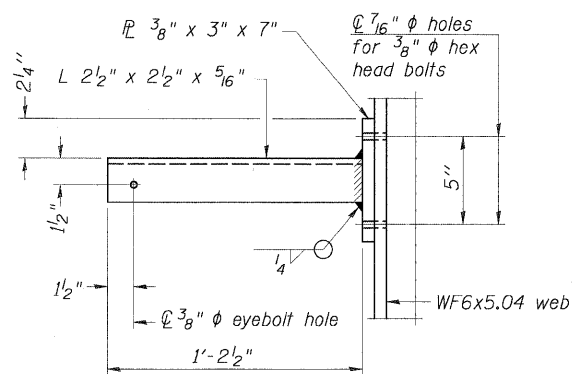
FRONT ELEVATION



ELEVATION AT HANDRAIL JOINT (4)

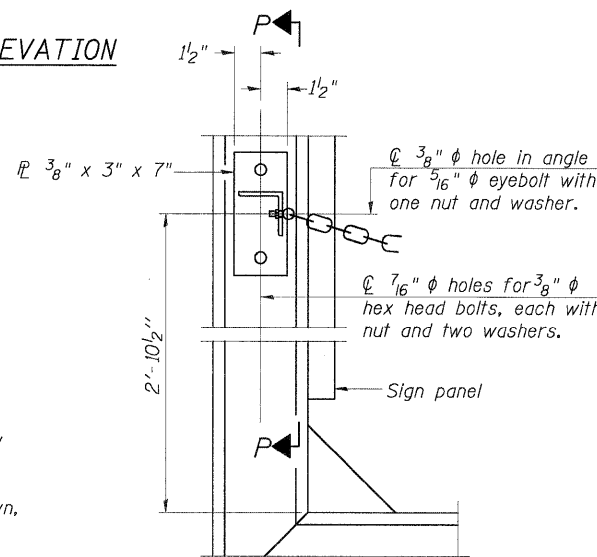
HANDRAIL DETAILS

Handrail pipe shall be ASTM B241, Alloy 6063-T6 or Alloy 6061-T6.



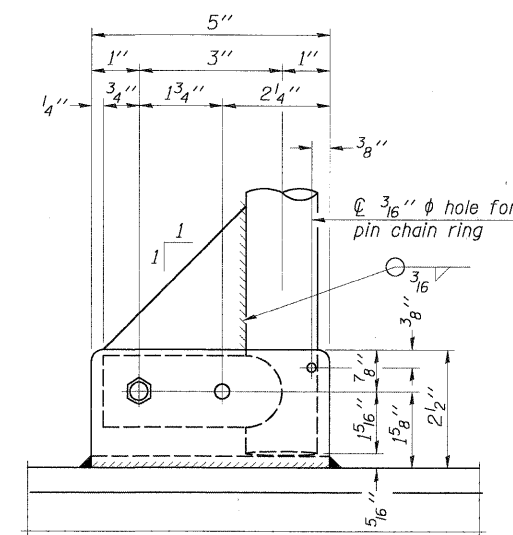
SECTION P-P

- (2) Horizontal handrail member shall be continuous thru fitting. Provide 7/16 inch diameter hole in fitting for 3/8 inch diameter bolt. Field drill 1/16 inch diameter hole in horizontal rail member. Provide washer and locknut for bolt. (Use 5/16 inch eyebolts in 7/16 inch diameter holes on top rail at ends only.)
- (3) 3/16 inch type 304L stainless steel chain, approximately 12 links per foot.
- (4) Extrusions may be used in lieu of the details shown, with approval of the Engineer.

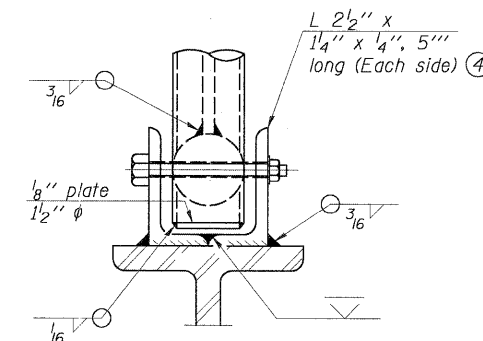


ALTERNATE SAFETY CHAIN ATTACHMENT

(With Sign Present)
Items not shown same as "Side Elevation" of "Handrail Details"

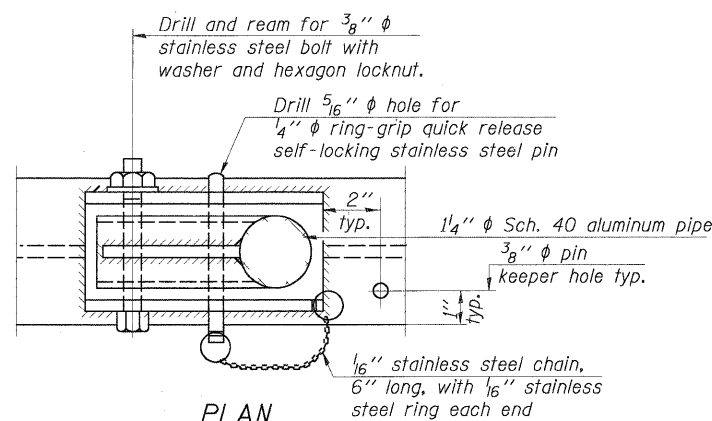


SIDE ELEVATION

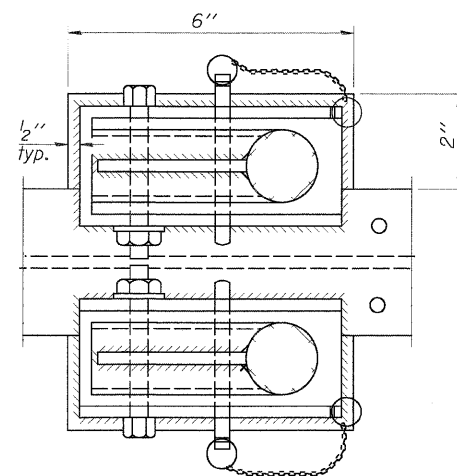


FRONT ELEVATION

See "ELEVATION" at right for dimensions.

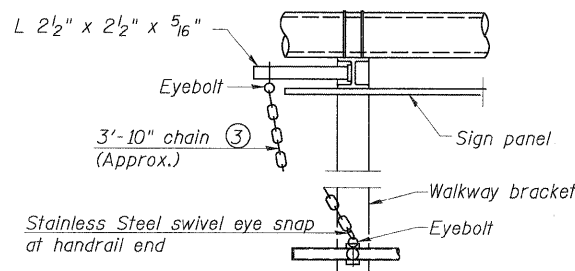


PLAN
DETAIL E HANDRAIL HINGE



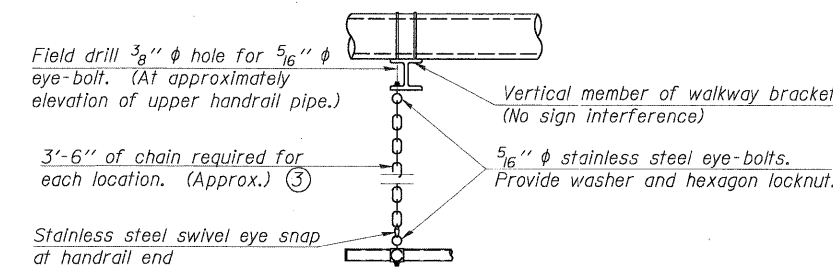
PLAN AT HANDRAIL JOINT

Details not shown same as "PLAN"



ALTERNATE SAFETY CHAIN ATTACHMENT

Details not shown similar to "Safety Chain" Details
(Walkway omitted for clarity)



SAFETY CHAIN

One required for each end of each walkway.

N:\Lans\10910122-00003-Struc\10910122-051.dwg

CHRISTOPHER B. BURKE ENGINEERING, LTD. 8575 W. Higgins Road, Suite 600 Rosemont, Illinois 60018 (847) 823-0500	USER NAME = PRAZALAN PLOT SCALE = 1" PLOT DATE = 12/23/2010	DESIGNED - JMB DRAWN - PDR CHECKED - MM DATE - 12/23/2010	REVISED - REVISED - REVISED - REVISED -	STATE OF ILLINOIS DEPARTMENT OF TRANSPORTATION	F.A.I. 80 FOR NS RAILROAD TO US 45 OVERHEAD SIGN STRUCTURES ALTERNATE ALUMINUM HANDRAIL DETAILS FOR DMS	F.A.I. RTE. 80	SECTION 99 (S&S-1) Y-1	COUNTY WILL	TOTAL SHEETS 108	SHEET NO. 9
	SCALE: SHEET NO. OF SHEETS STA. TO STA.					CONTRACT NO. 60M59 ILLINOIS FED. AID PROJECT				