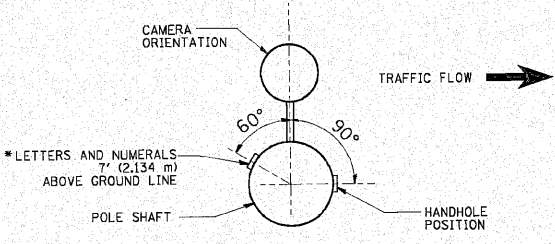
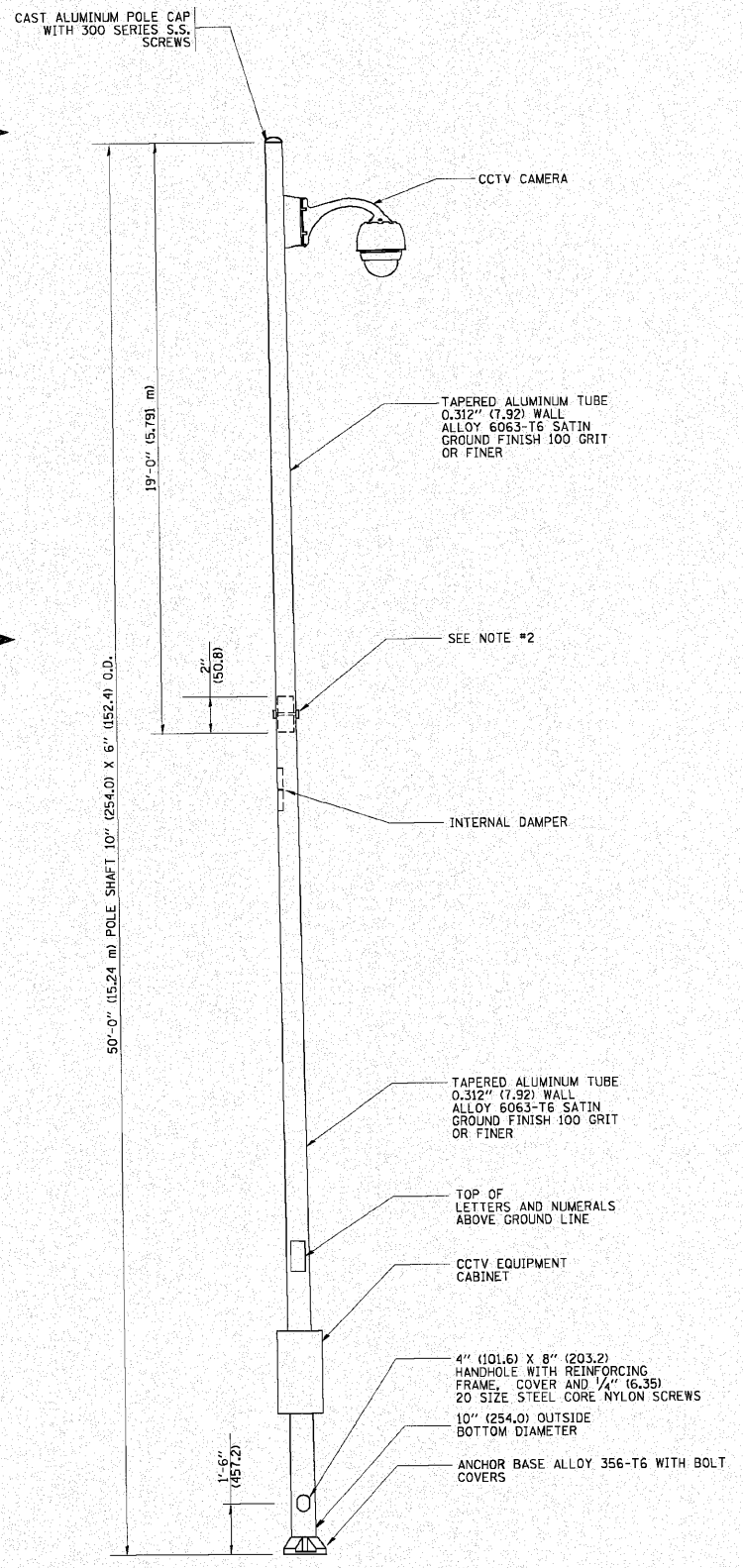


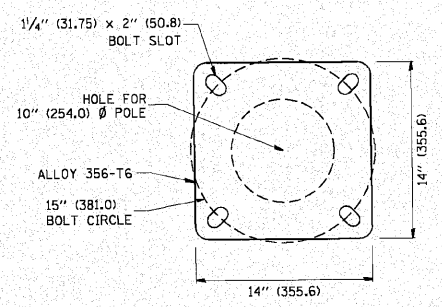
POSITION OF HANDHOLE AND CAMERA NUMBER FOR POLE MOUNTED ON BRIDGE PARAPET OR BARRIER WALL



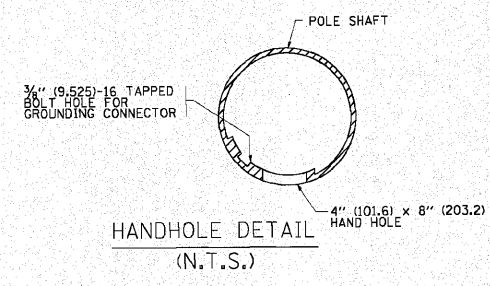
POSITION OF HANDHOLE AND CAMERA NUMBER



- NOTES:**
1. ALL DIMENSIONS ARE IN INCHES (MILLIMETERS) UNLESS OTHERWISE SHOWN.
 2. TWO PIECE SHAFT WILL BE MATCHED MARKED AND INTERCHANGEABLE BETWEEN DIFFERENT UNITS. FIELD DRILLING OF THE HOLES WILL NOT BE ALLOWED.
 3. THE POLE WILL MEET AASHTO DESIGN CRITERIA AS SPECIFIED.
 4. THE INSTALLING CONTRACTOR WILL PROVIDE A UL LISTED GROUNDING CONNECTOR, BURNDY K2C23, T&B SP4DL OR APPROVED EQUAL.
 5. POLES WILL BE INSTALLED IN ACCORDANCE TO MANUFACTURER'S INSTRUCTIONS.
 6. POLES WILL BE SET PLUMB ON THE FOUNDATION WITHOUT THE USE OF LEVELING NUTS, WASHERS OR SHIMS.



POLE BASE PLATE DETAIL
15 INCH (381.0) BOLT CIRCLE



ENGINEERING CONSULTANT
Corba Group, Inc.
CONSULTING ENGINEERS
1000 NORTH CENTRAL EXPRESSWAY, SUITE 402
MILWAUKEE, WISCONSIN 53212
TEL: 778.443.0000 FAX: 778.778.0014
E-MAIL: CORBA@CORBA.COM

USER NAME = logso	DESIGNED -	REVISED - R. TOMSONS 09-06-00
DRAWN	REVISOR - R. TOMSONS 09-03-03	
PLOT SCALE = 50.000' / IN.	CHECKED -	REVISED -
PLOT DATE = 4/12/2010	DATE -	REVISED -

**STATE OF ILLINOIS
DEPARTMENT OF TRANSPORTATION**

**CCTV CAMERA STRUCTURE
50' (15.24 m) MOUNTING HEIGHT**
SCALE: NONE SHEET NO. 1 OF 1 SHEETS STA. TO STA.

F.A.I. RTE.	SECTION	COUNTY	TOTAL SHEETS	SHEET NO.
80	99(5&5-1) Y-1	WILL	309	179
BE-1000			CONTRACT NO. 60M59	
FED. ROAD DIST. NO. 1 ILLINOIS FED. AID PROJECT				